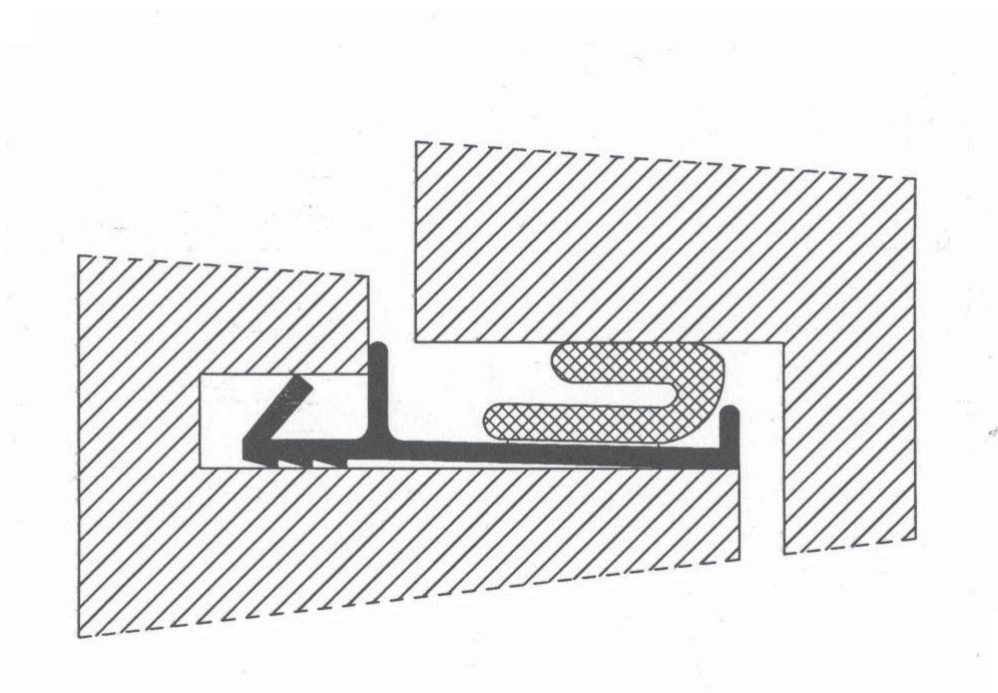




grouphomesafe▲

Combination Seals

[TIMBER DOORS]



Qlon the Ultimate Weatherseal

With over 50 years of global experience in the design and manufacture of outstanding window and door products, it is little wonder that Schlegel has become the industry's first choice for not only weatherseal products, but locking and security systems, handles and hardware.

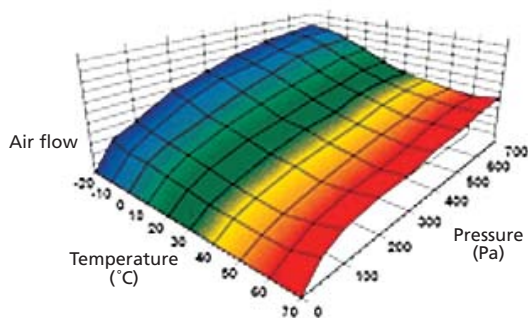
The Unique QLON weatherseal has been developed in consultation with our customers to offer the widest range of seals possible for aluminium windows and doors. The unique design has made QLON impervious to paint and stain, while still providing some of the best energy saving performance characteristics currently available.

Backed by our lifetime guarantee, QLON will never let you or your customer down, making it highly cost effective way of offering continuous high standards of weathersealing, year after year.

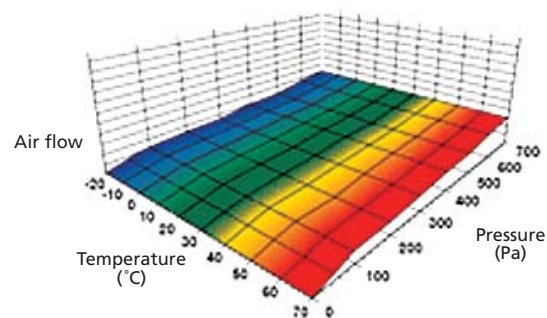
OUTSTANDING ENERGY EFFICIENCY

Specifically designed to meet the different demands of aluminium windows and doors, QLON maintains consistently high standards of energy efficiency, often exceeding any long-term window performance guarantees.

- Exceptional performance maintained over a wide temperature range. Doesn't shrink or stretch, even in extreme climatic conditions.
- Excellent memory - retains its original shape year after year to maintain a consistently high standard of weatherseal.
- Kerf tolerances have been increased and are more forgiving of your manufacturing process $-2.7\text{mm} \pm 0.3\text{mm}$.
- Compensates for window movement.
- Lower insertion forces speed up fitting by 15%

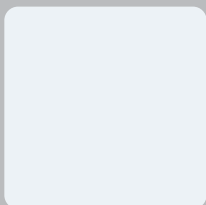


Window performance using EPDM flipper seal



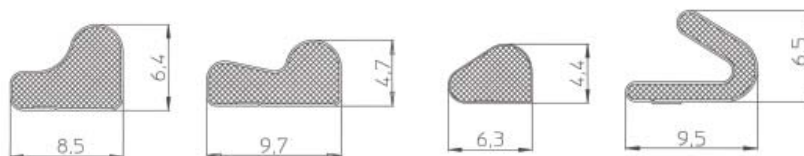
Window performance using Schlegel QLON™

The graph shows the weather performance against competitor gaskets and demonstrates that Qlon provides less air leakage over a wide temperature range when compared to our competitors.



Compression Seal, Rigid and Foam

Product Name	Compression seal, Rigid profile & Foam Weatherseal.
Shape Reference nr	See product range page for available shapes and their reference nr. Other shapes available on request.
Product Description	Rigid profile with barb for kerf slot combined with Q-Lon foam seal.
Application	Compression weatherseal for wood internal & external doors & windows.
Materials	Profile: Rigid, extrude 100% polypropylene. Some shapes have a soft tape part for easy insertion or additional sealing. Foam: Durable polyethylene liner around a resilient poly-urethane foam shape.
Foam seals	Four different shapes are available to be combined with the rigid profiles.



Foam ref. nr: QL 6826 QL 6993 QL 7023 QL 9359

Protection

An easy removeable tape can be applied to protect the seal when treating woodwork.

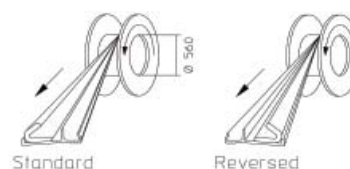


Colours

Profile & Foam: Light Oak/Beige, Ochre RAL8001, White, Black, Grey, Dark Brown, Other colours available on request.

Packaging

Coiled & boxed: Ex: 250m/coil, 2*250m/box. Depending on profile dimensions.
Optional: coils stacked on pallets without box.
Coiling can be standard or reversed.

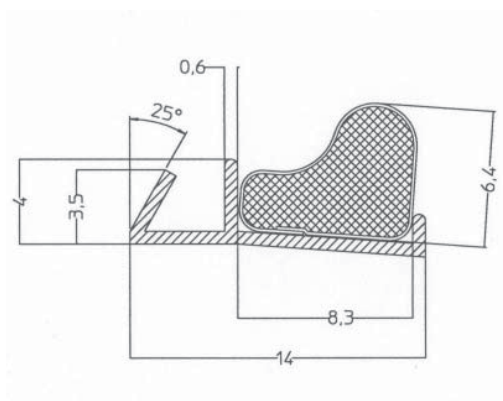


Ordering

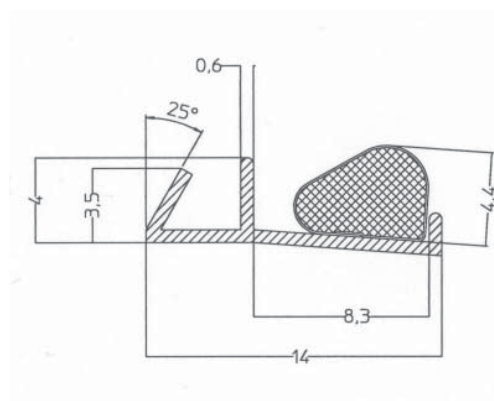
Profile Shape: EX-ref.nr & colour, + Foam Shape: QL-ref.nr & colour.
Example: " EX002 light oak + QL9359 light oak, standard coiling"



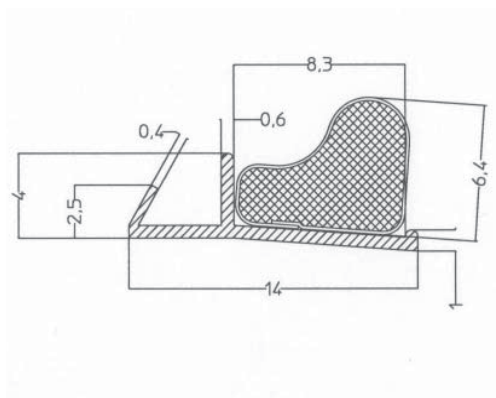
QL6826/EX001



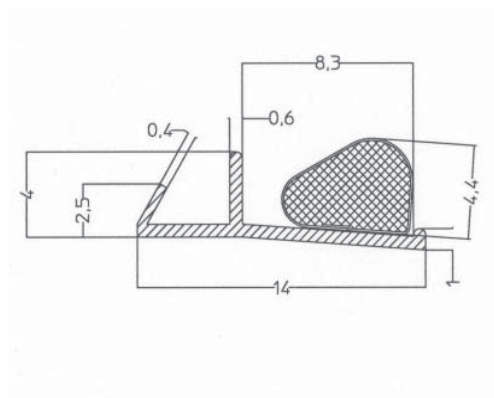
QL7023/EX001



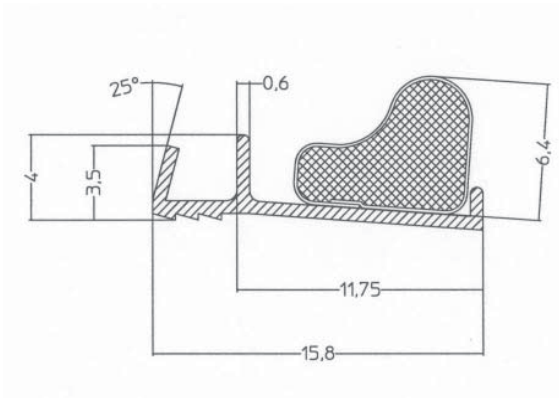
QL6826/EX001bis



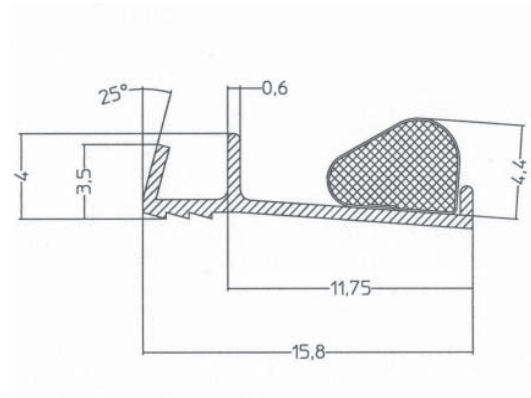
QL7023/EX001bis



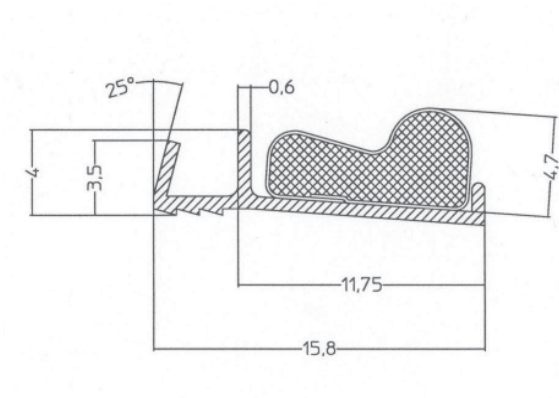
QL6826/EX002



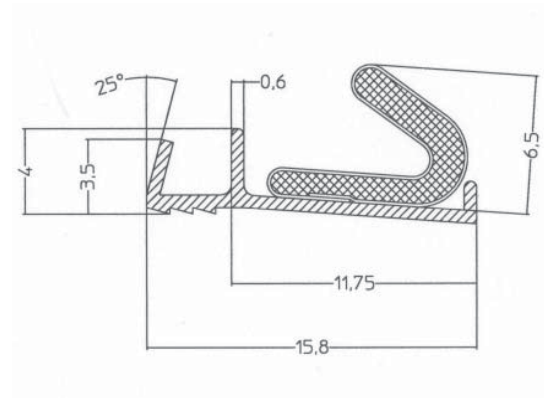
QL702 /EX002



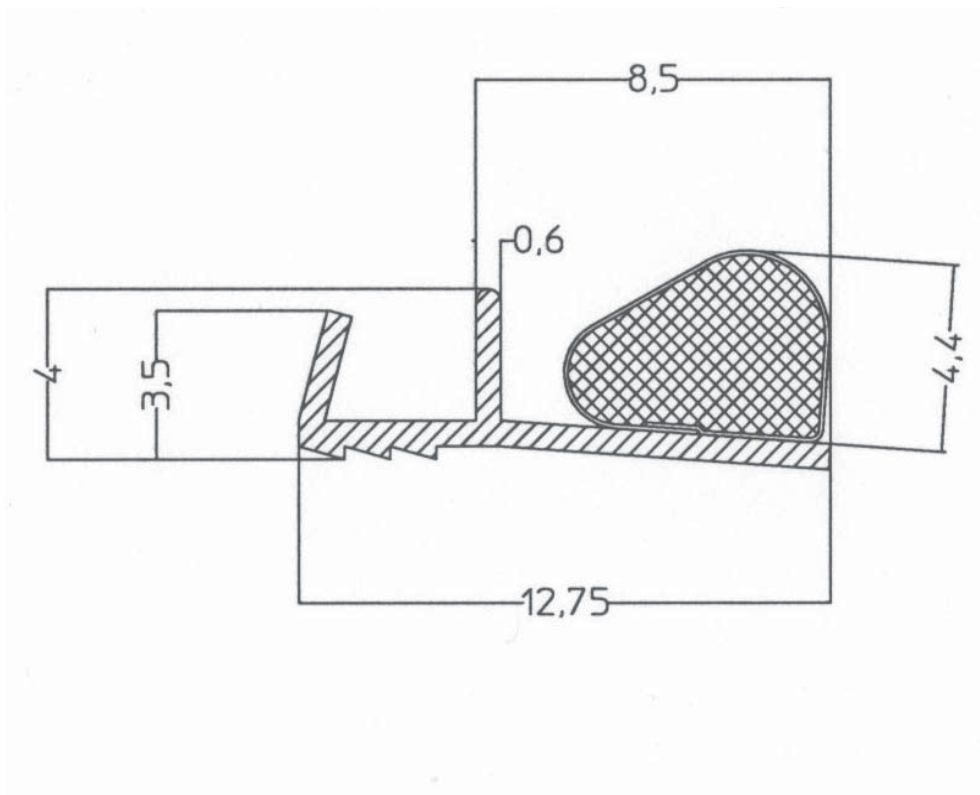
QL6993/EX002



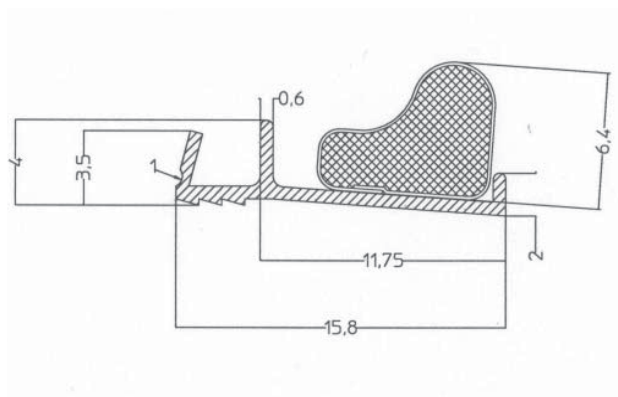
QL9359/EX002



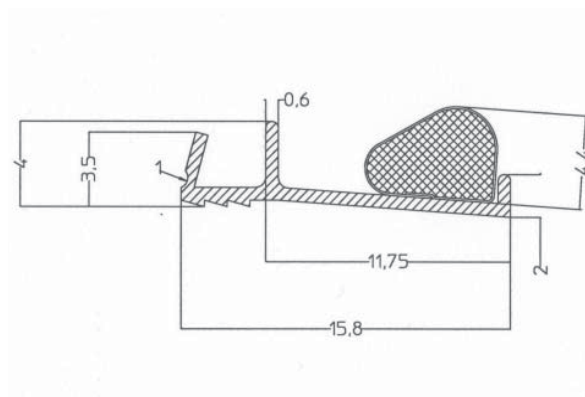
QL7023/EX002bis



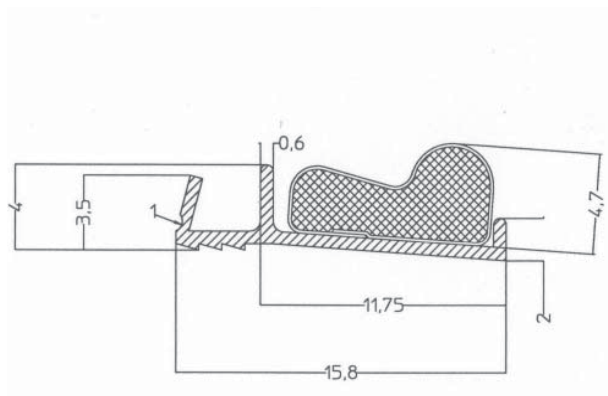
QL6826/EX002tris



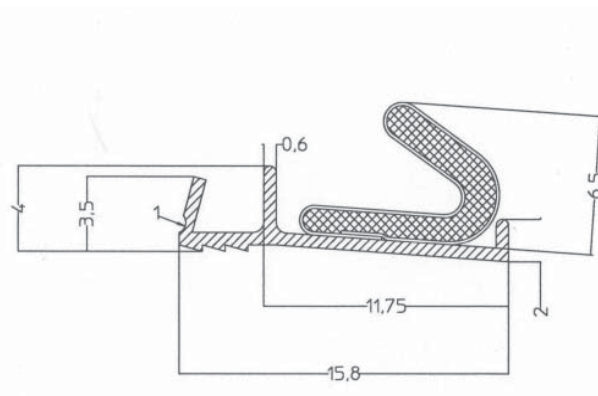
QL7023/EX002tris



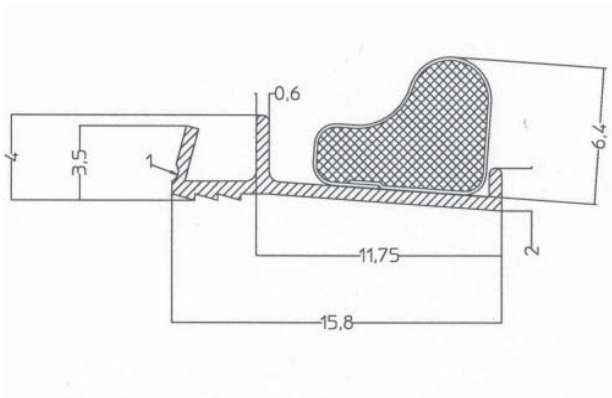
QL6993/EX002tris



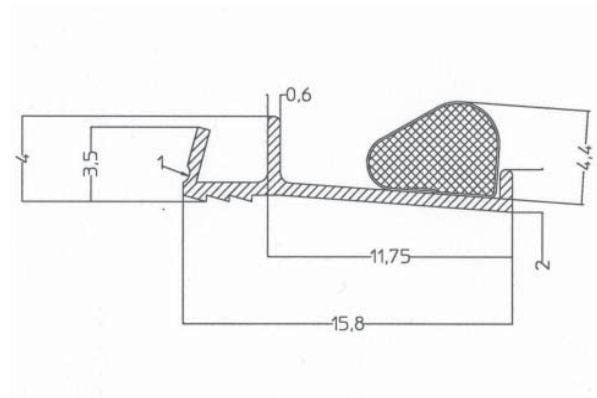
QL9359/EX002tris



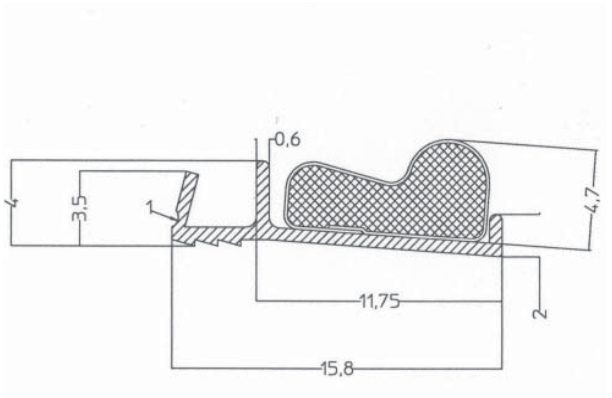
QL6826/EX002quater



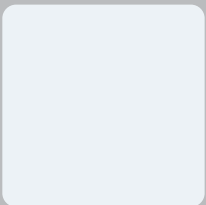
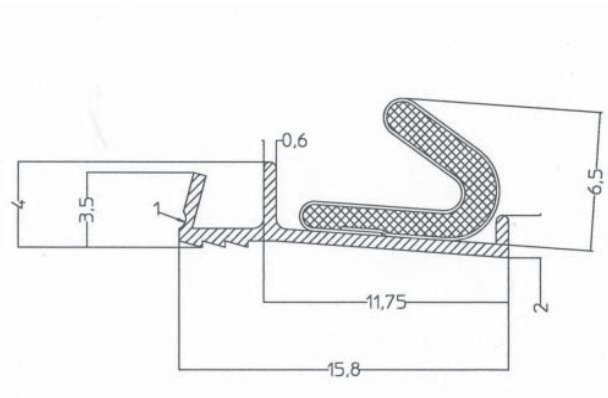
QL7023/EX002quater



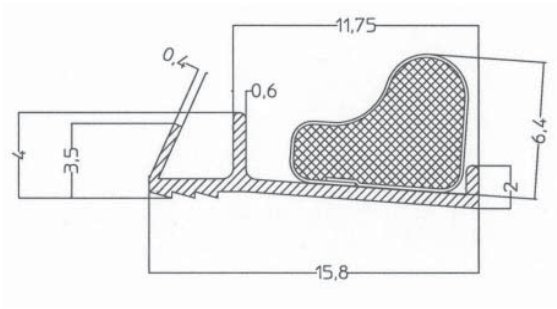
QL6993/EX002quater



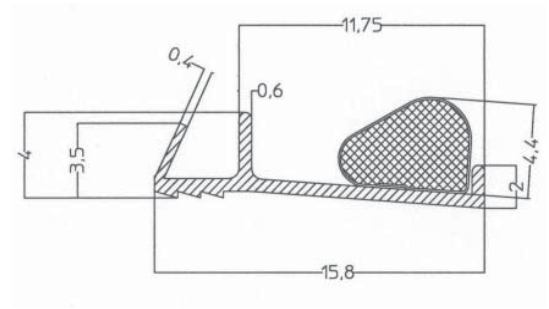
QL9359/EX002quater



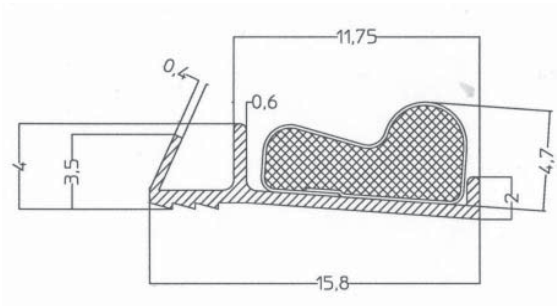
QL6826/EX002cinq



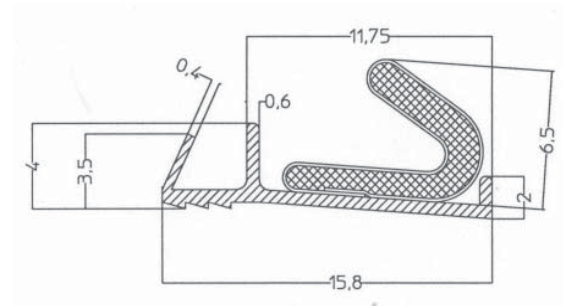
QL7023/EX002cinq



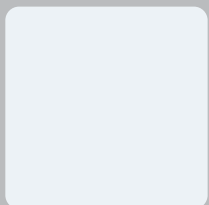
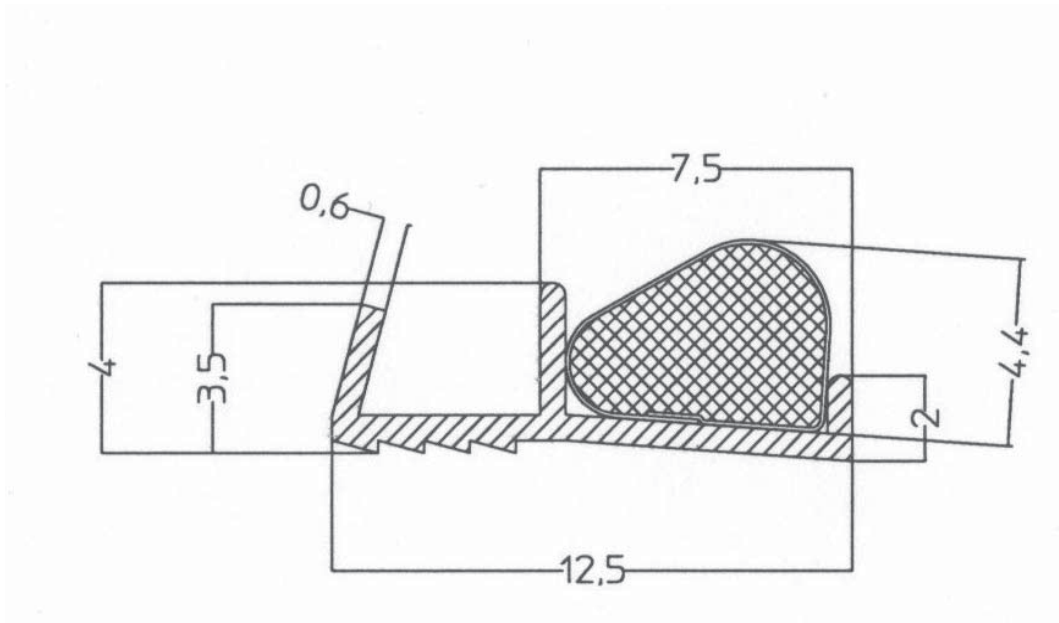
QL6993/EX002cinq



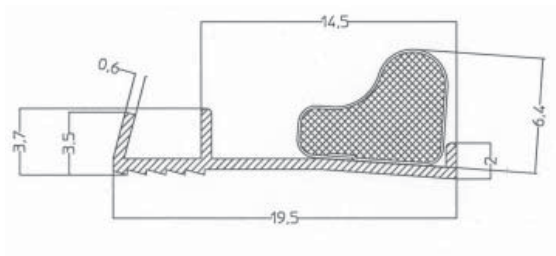
QL9359/EX002cinq



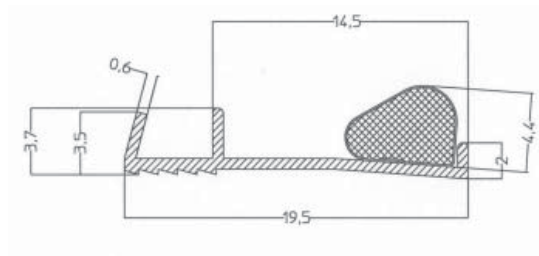
QL7023/EX003



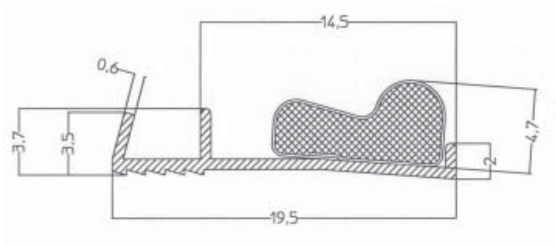
QL6826/EX004



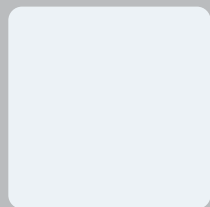
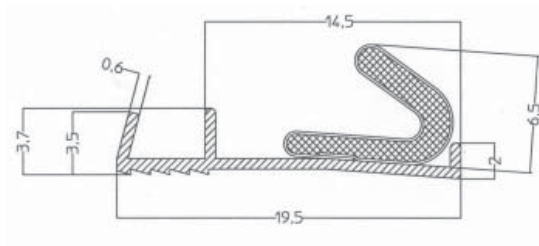
QL7023/EX004



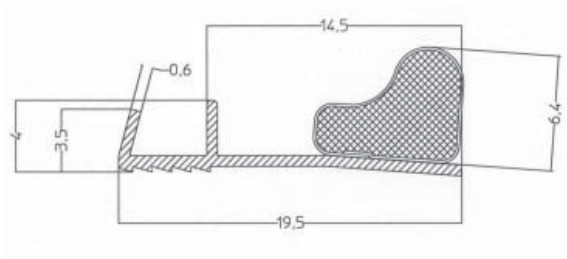
QL6993/EX004



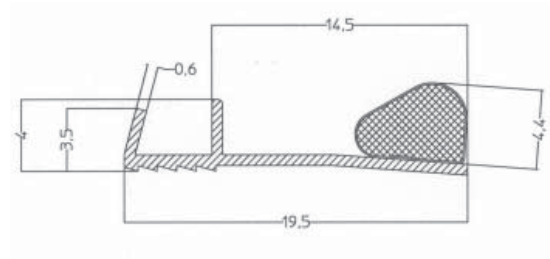
QL9359/EX004



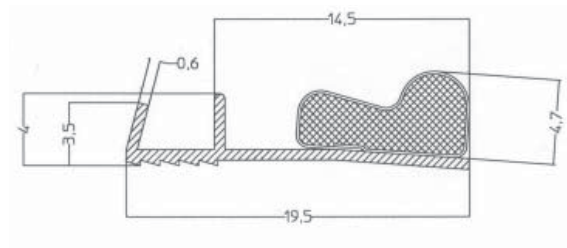
QL6826/EX004bis



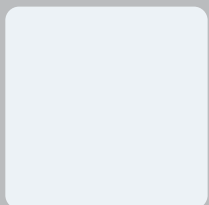
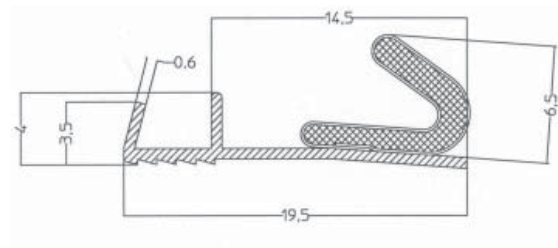
QL7023/EX004bis



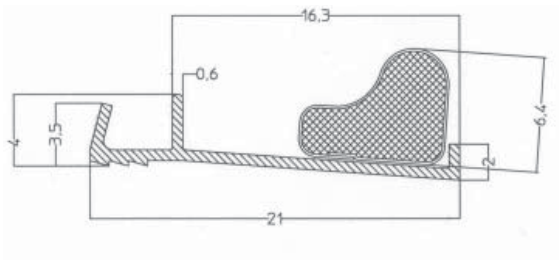
QL6993/EX004bis



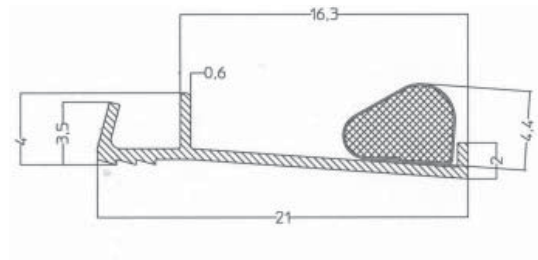
QL9359/EX004bis



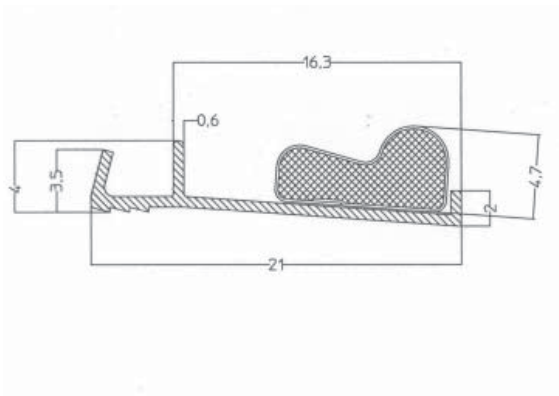
QL6826/EX005



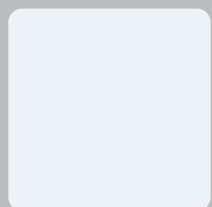
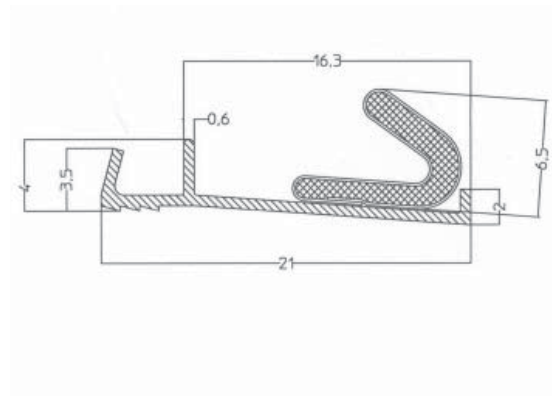
QL7023/EX005



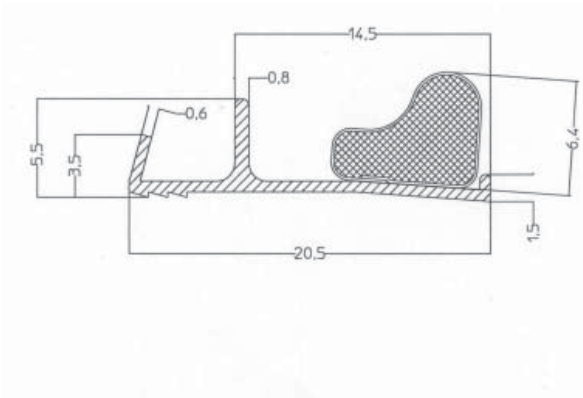
QL6993/EX005



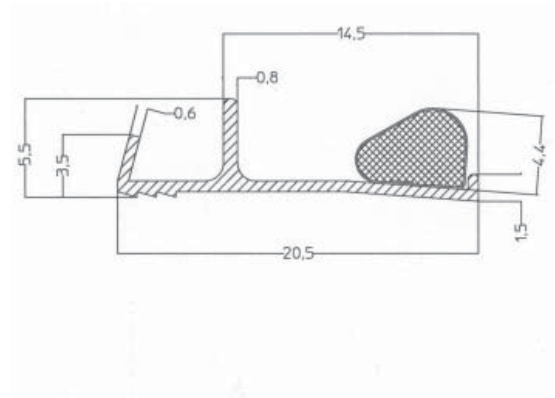
QL9359/EX005



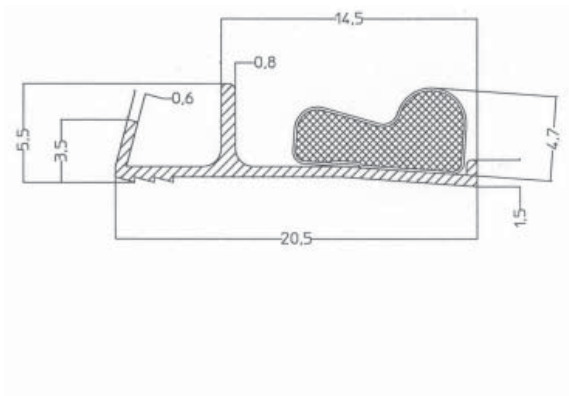
QL6826/EX006



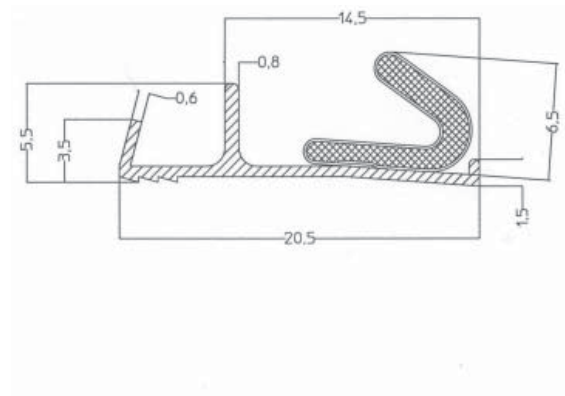
QL7023/EX006



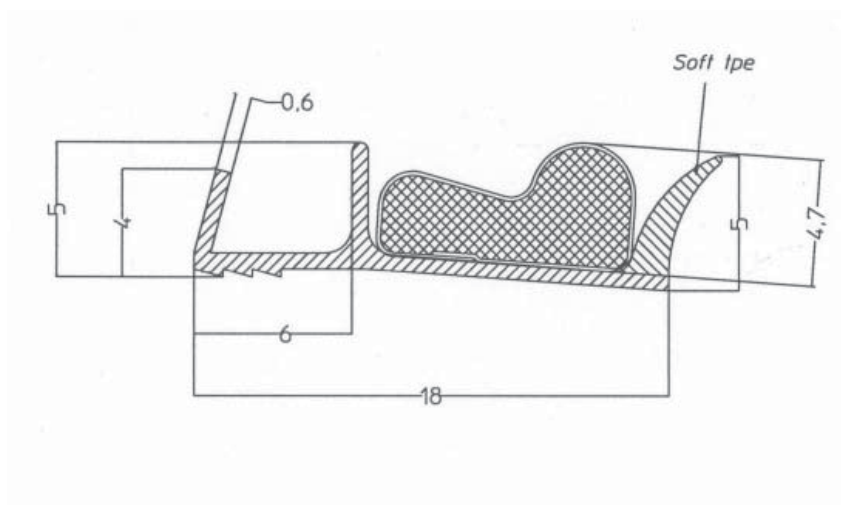
QL6993/EX006



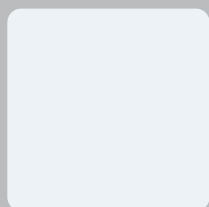
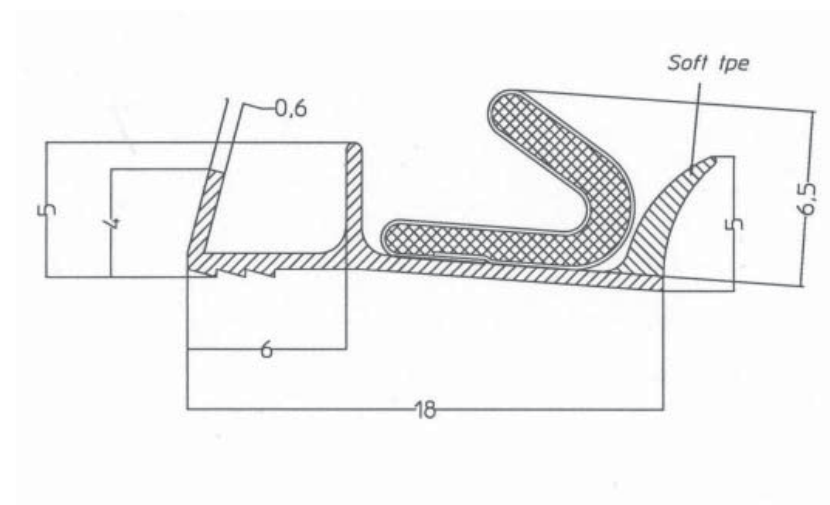
QL9359/EX006



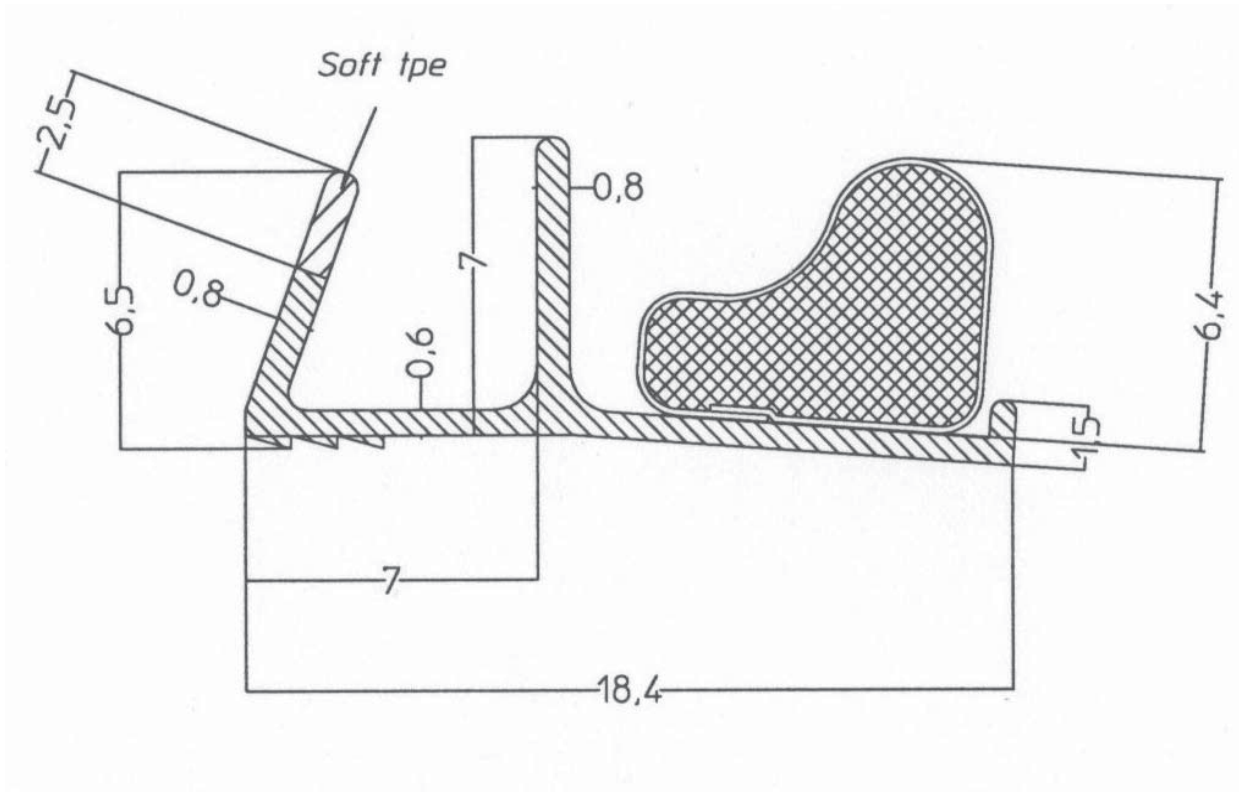
QL6993/EX007



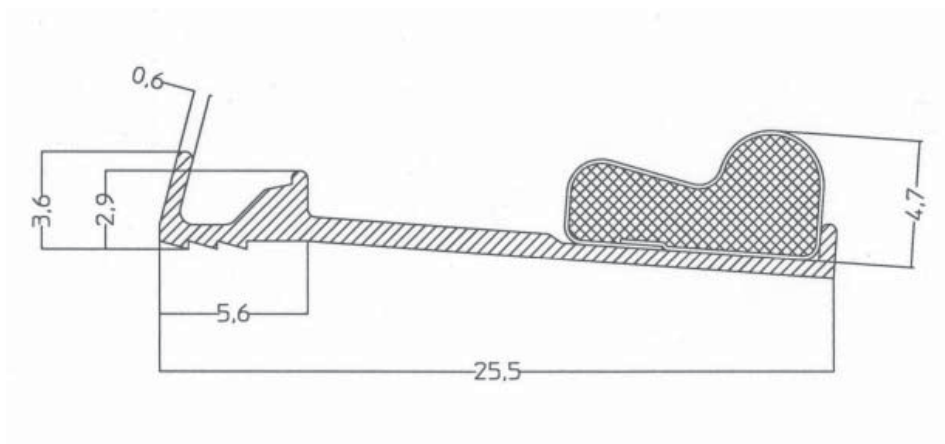
QL9359/EX007



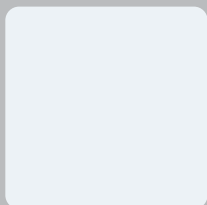
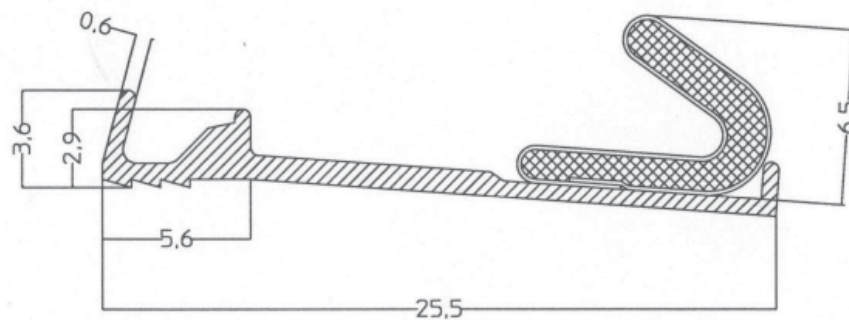
QL6826/EX008



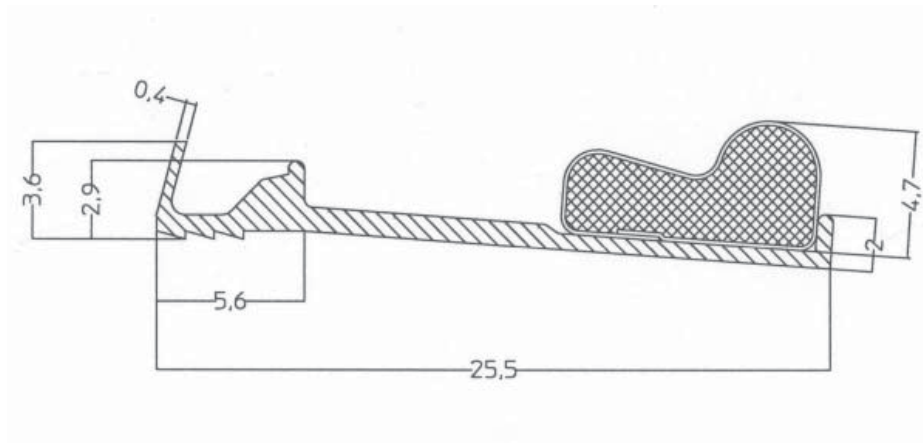
QL6993/EX009



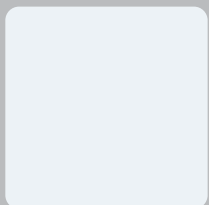
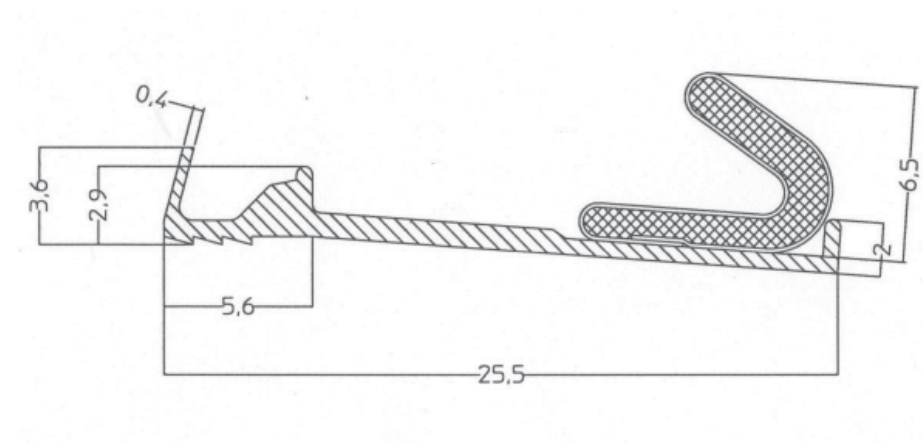
QL9359/EX009



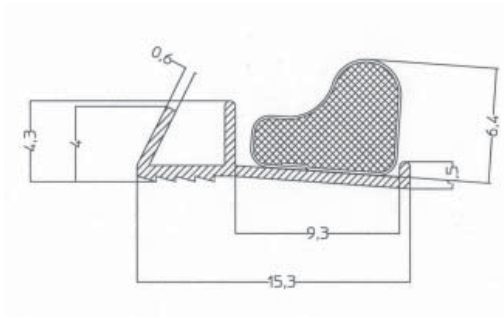
QL6993/EX009bis



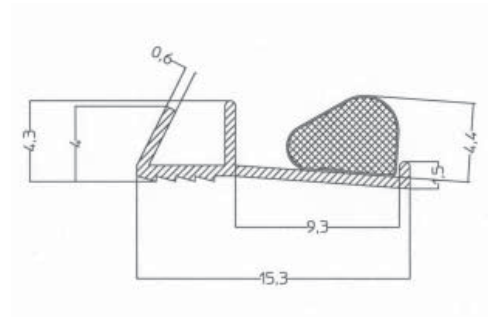
QL9359/EX009bis



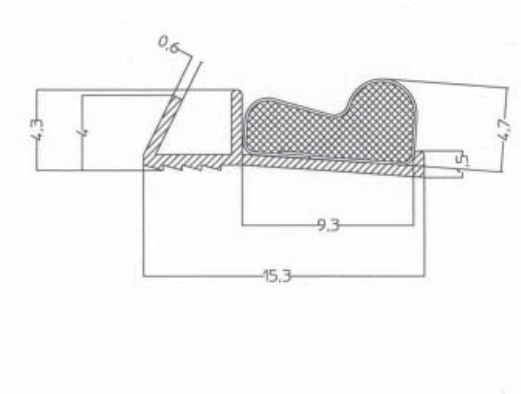
QL6826/EX010



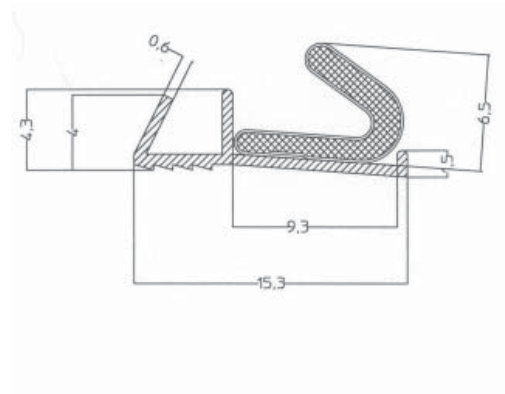
QL7023/EX010



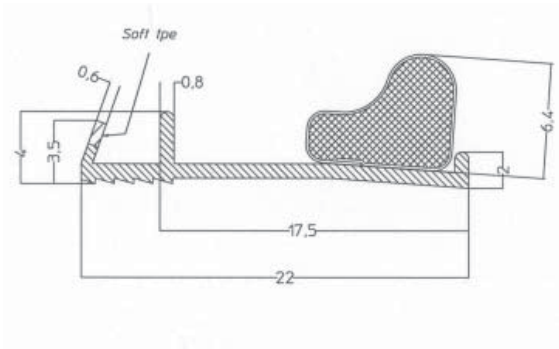
QL6993/EX010



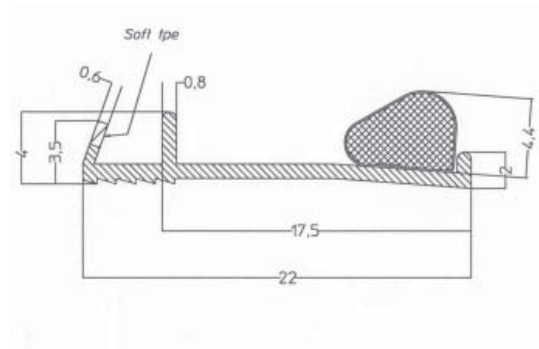
QL9359/EX010



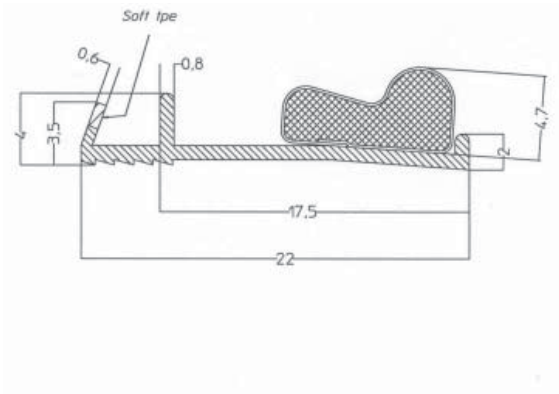
QL6826/EX011



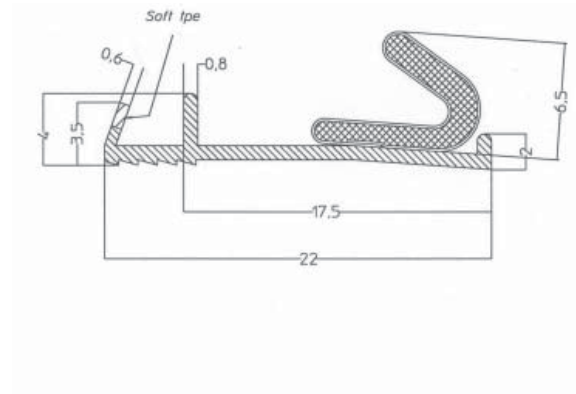
QL7023/EX011



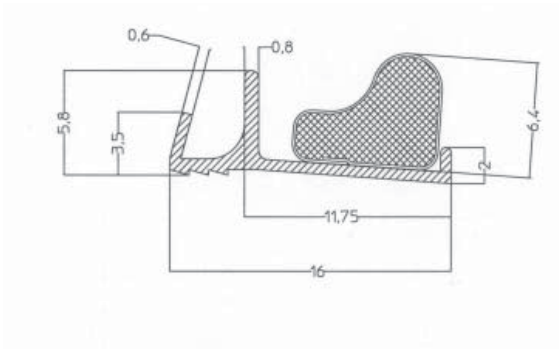
QL6993/EX011



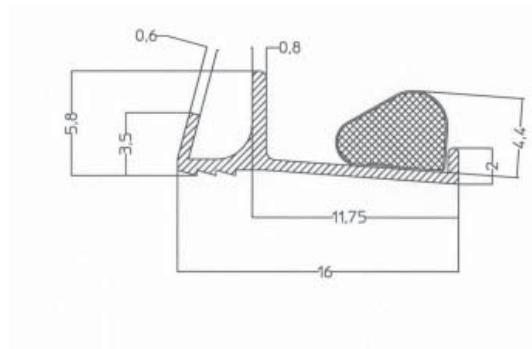
QL9359/EX011



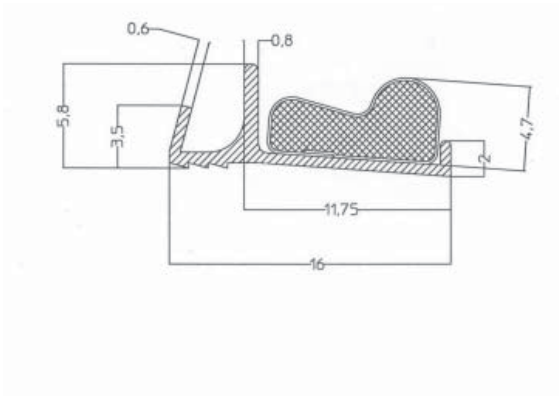
QL6826/EX013



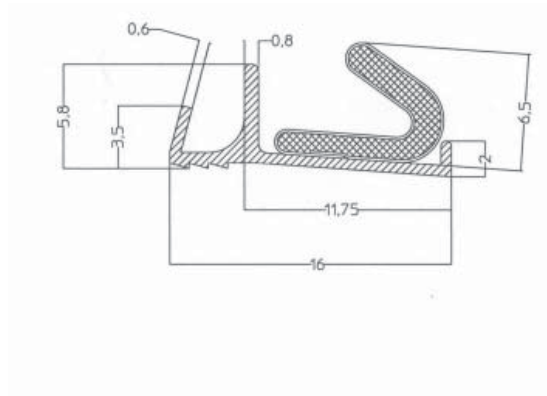
QL7023/EX013



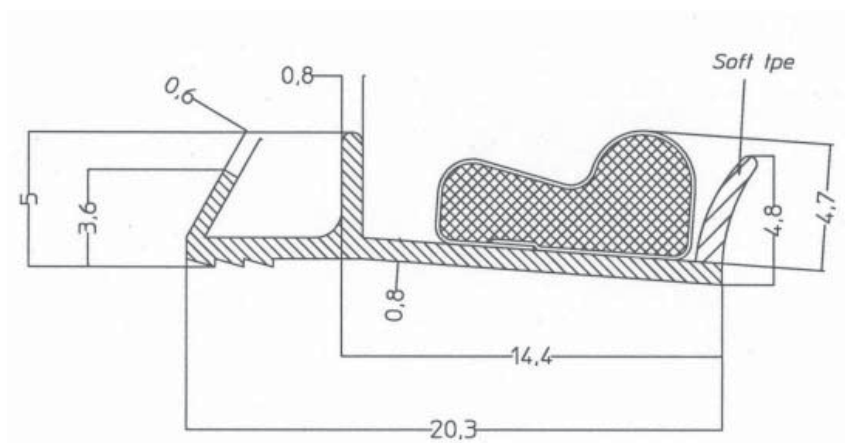
QL6993/EX013



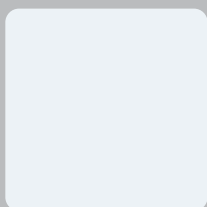
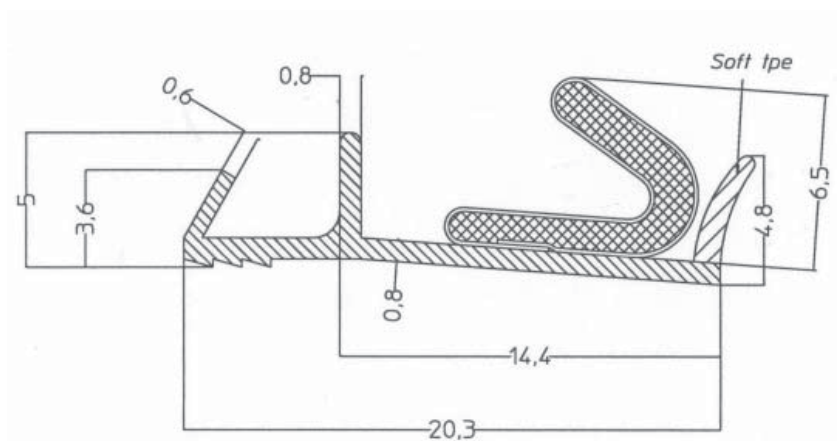
QL9359/EX013



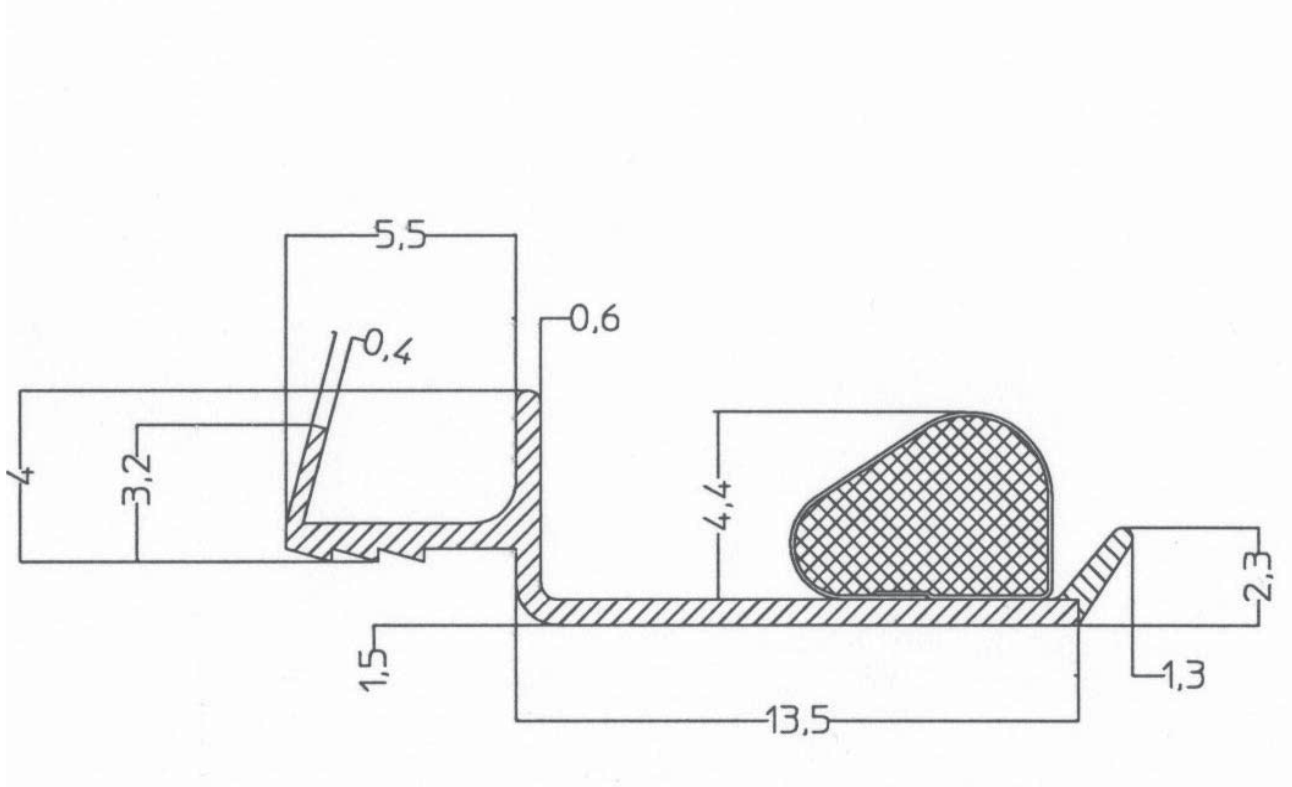
QL6993/EX014



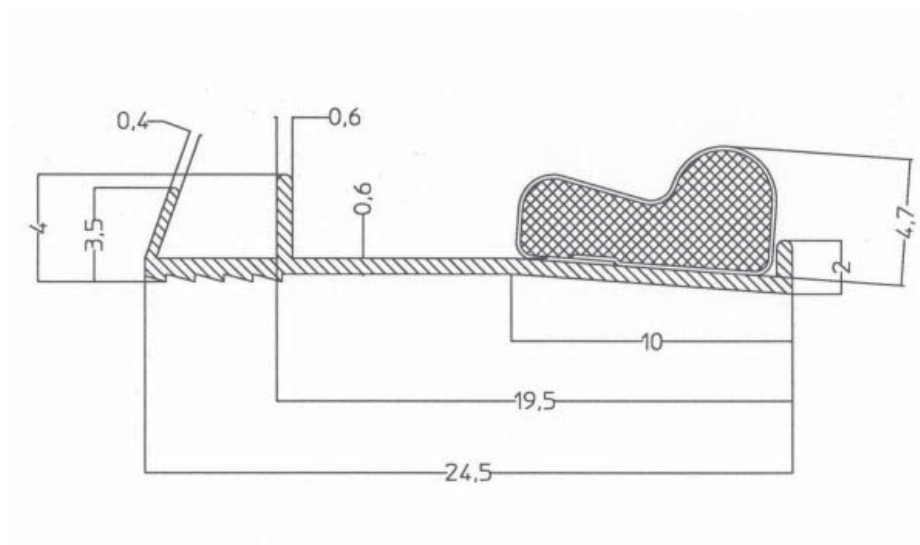
QL9359/EX014



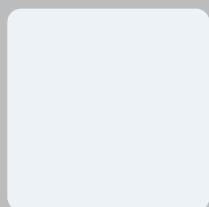
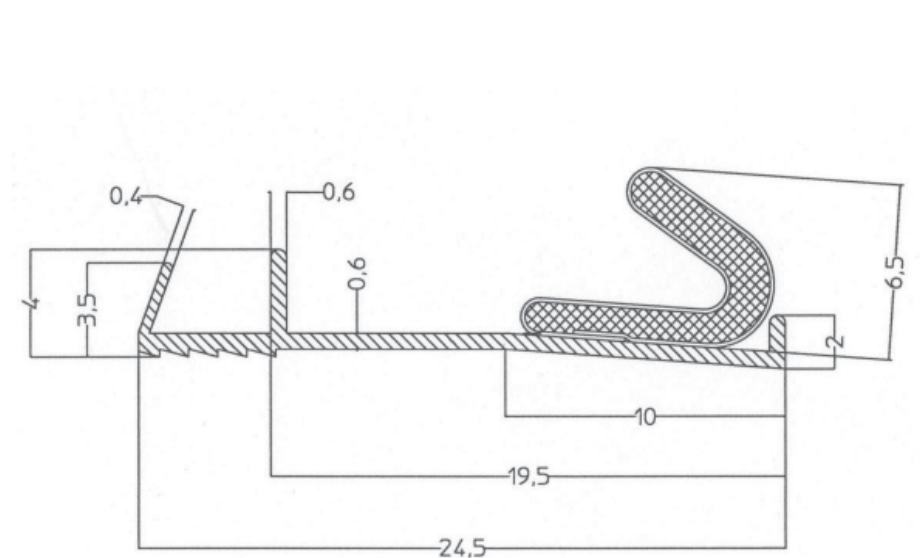
QL7023/EX015



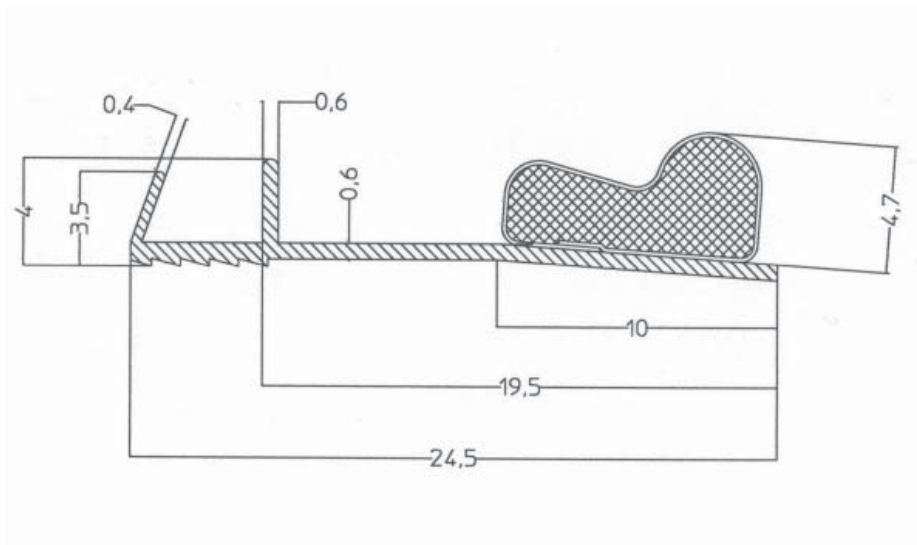
QL6993/EX016



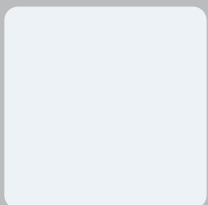
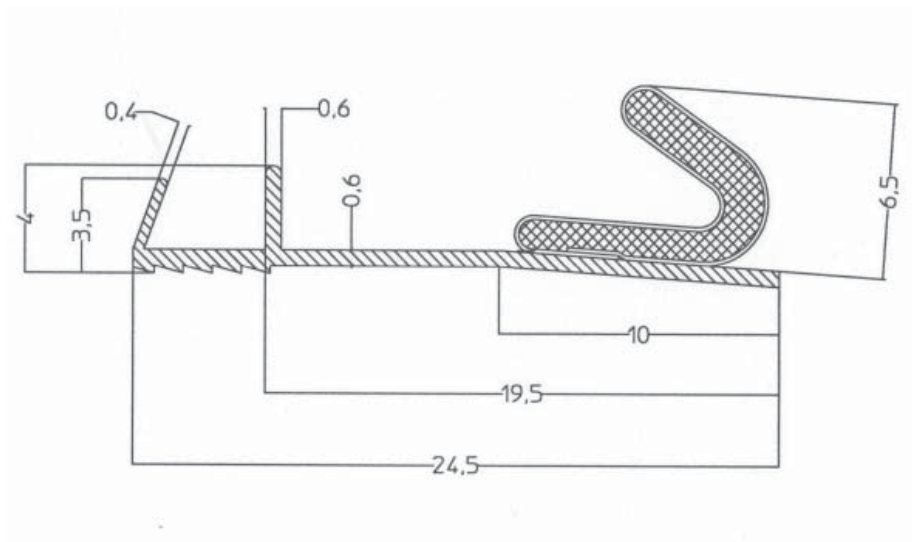
QL9359/EX016



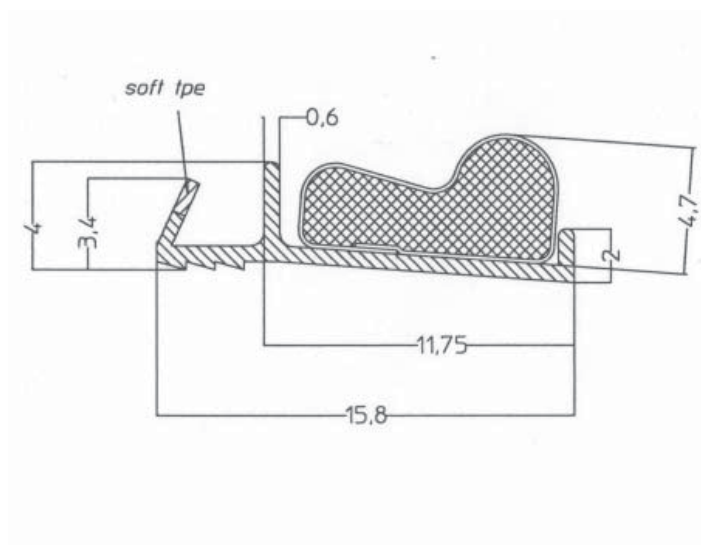
QL6993/EX016bis



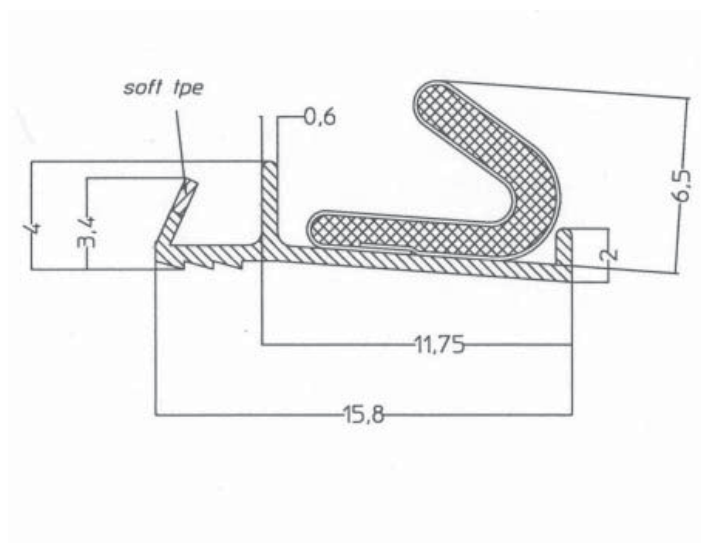
QL9359/EX016bis



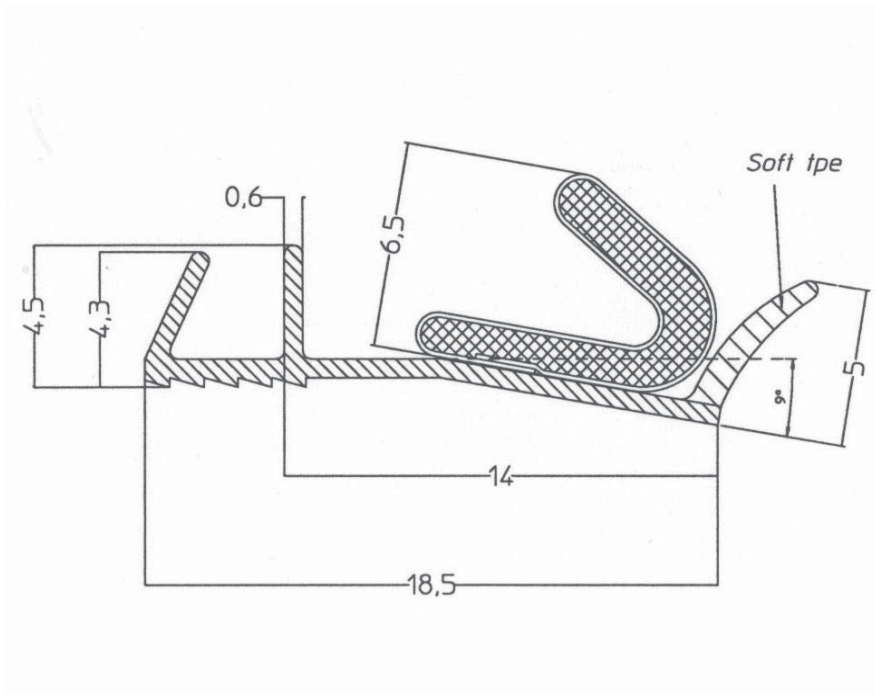
QL6993/EX045



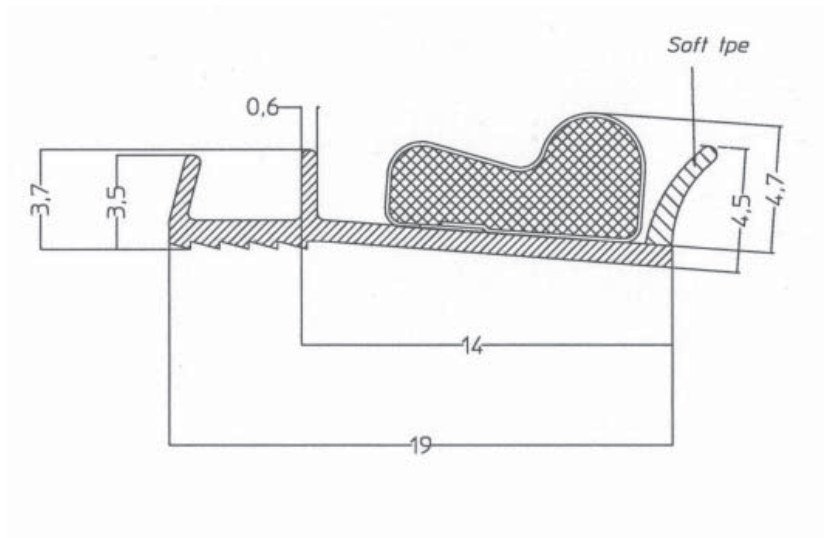
QL9359/EX045



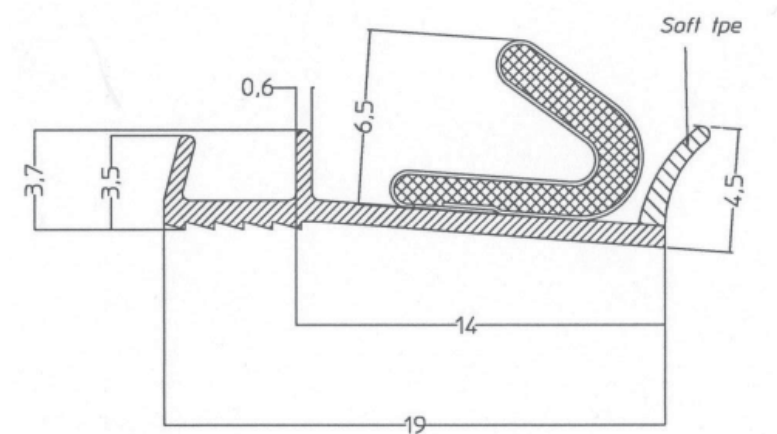
QL9359/EX081



QL6993/EX084



QL9359/EX084



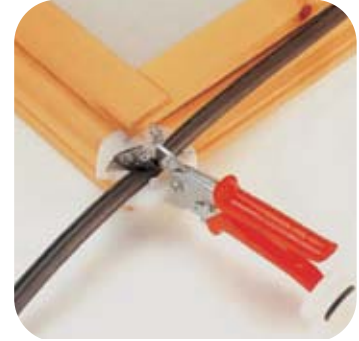
Qlon the Ultimate Weatherseal



This is just part of our extensive range of Q-LON products. For a bespoke profile speak to a Schlegel Engineer.



This is just part of our extensive range of Q-LON products. For a bespoke profile speak to a Schlegel Engineer.



This is just part of our extensive range of Q-LON products. For a bespoke profile speak to a Schlegel Engineer.



This is just part of our extensive range of Q-LON products. For a bespoke profile speak to a Schlegel Engineer.



This is just part of our extensive range of Q-LON products. For a bespoke profile speak to a Schlegel Engineer.



This is just part of our extensive range of Q-LON products. For a bespoke profile speak to a Schlegel Engineer.



WEATHER SEAL RANGE COLOUR CHART



BRONZE (RAL 8017)



WHITE (RAL 9003)



BLACK (RAL 9005)



DARK GREY
(M5 EMBOSS ONLY RAL 7002)



BEIGE (RAL 1001)



LIGHT OAK (RAL 8003)



LIGHT GREY (RAL 7035)



SILVER GREY (RAL 7001)



OCHRE BROWN (RAL 8001)



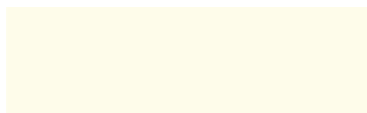
CHESTNUT BROWN (RAL 8015)



GRAPHITE GREY (RAL 7024)



FAWN BROWN (RAL 8007)



PURE WHITE (RAL 9010)

This chart is a 'rough' guide only not be used as an exact representation of the finished colour options available.

