



# Extruded Seals

[TIMBER TILT AND TURN DOORS]



# Qlon the Ultimate Weatherseal

With over 50 years of global experience in the design and manufacture of outstanding window and door products, it is little wonder that Schlegel has become the industry's first choice for not only weatherseal products, but locking and security systems, handles and hardware.

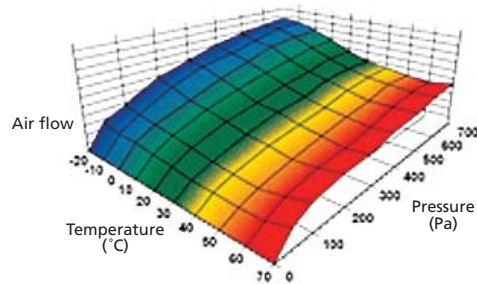
The Unique QLON weatherseal has been developed in consultation with our customers to offer the widest range of seals possible for aluminium windows and doors. The unique design has made QLON impervious to paint and stain, while still providing some of the best energy saving performance characteristics currently available.

Backed by our lifetime guarantee, QLON will never let you or your customer down, making it highly cost effective way of offering continuous high standards of weathersealing, year after year.

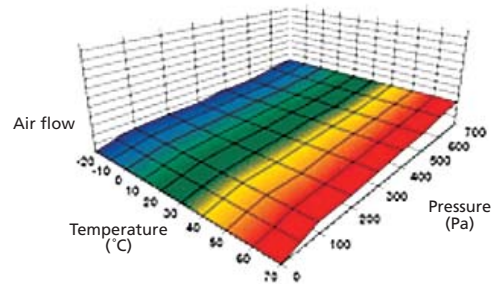
## OUTSTANDING ENERGY EFFICIENCY

Specifically designed to meet the different demands of aluminium windows and doors, QLON maintains consistently high standards of energy efficiency, often exceeding any long-term window performance guarantees.

- Exceptional performance maintained over a wide temperature range. Doesn't shrink or stretch, even in extreme climatic conditions.
- Excellent memory - retains its original shape year after year to maintain a consistently high standard of weatherseal.
- kerf tolerances have been increased and are more forgiving of your manufacturing process  $-2.7\text{mm} \pm 0.3\text{mm}$ .
- Compensates for window movement.
- Lower insertion forces speed up fitting by 15%



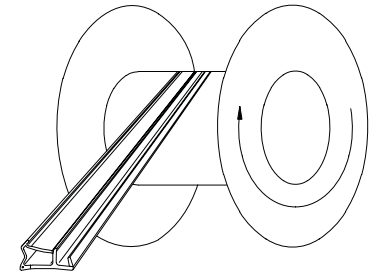
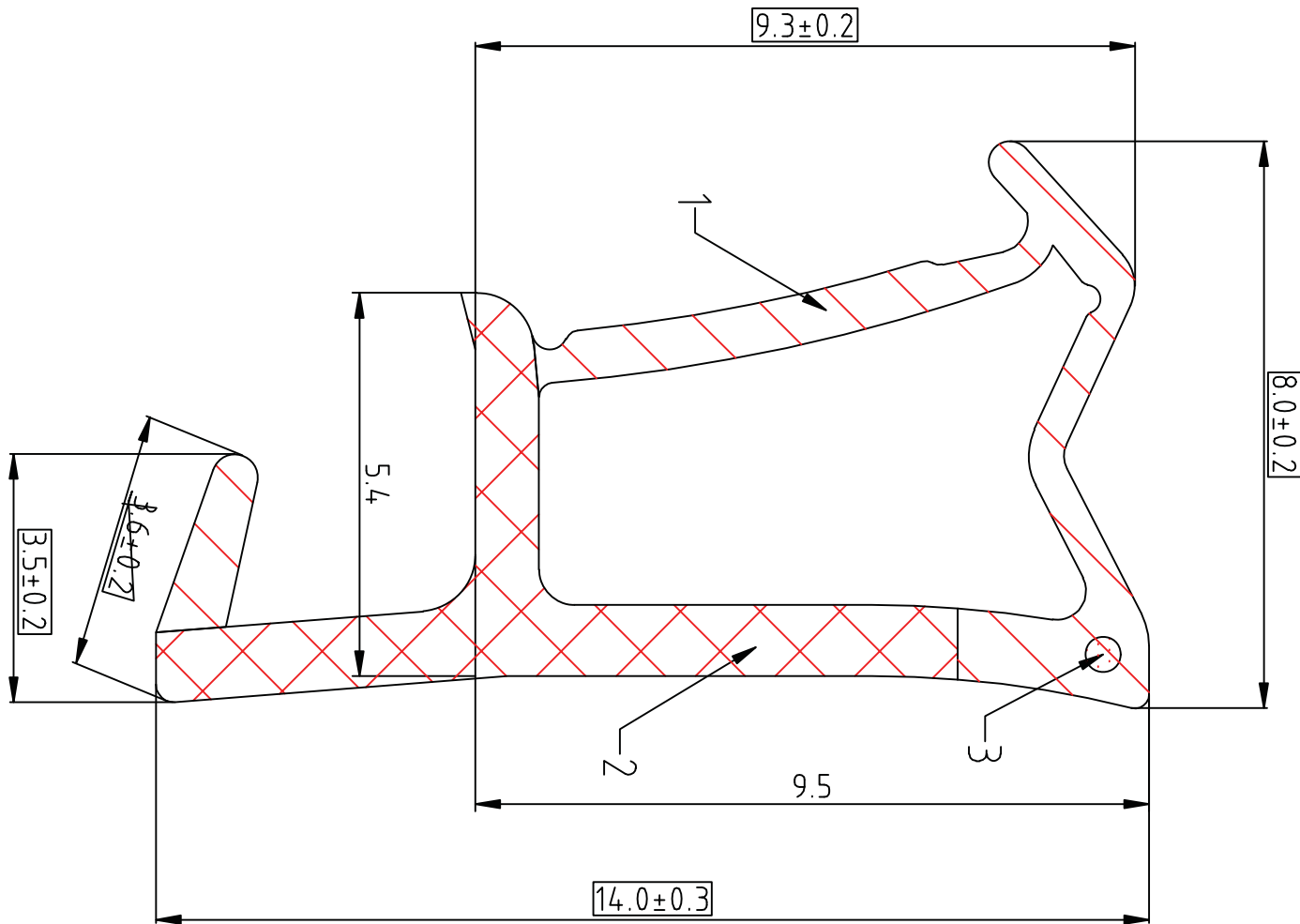
Window performance using EPDM flipper seal



Window performance using Schlegel QLON™

The graph shows the weather performance against competitor gaskets and demonstrates that Qlon provides less air leakage over a wide temperature range when compared to our competitors.

# QLON\* DX 1452



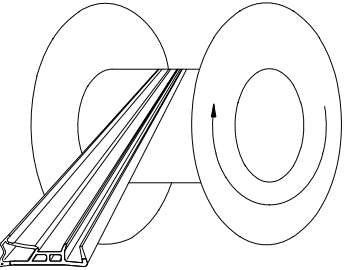
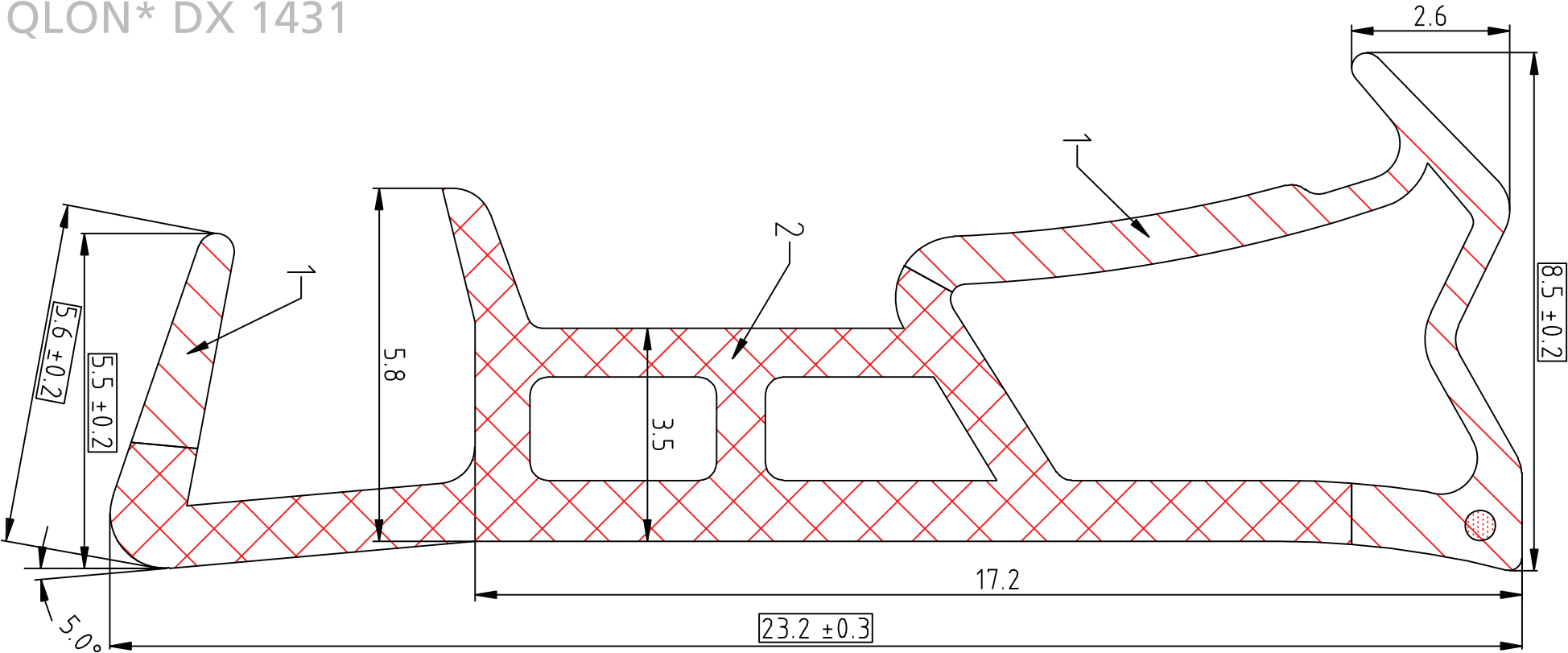
COILING DIRECTION

M1:1



ALLE MASSE OHNE TOLERANZANGABEN NACH DIN 16941-2B				Papierformat A3
6				<b>Schlegel Germany GmbH</b>
5				
4				
3				
2				
1	04.03.10	Huß	Toleranzen nach Vorgabe J.N. eingetragen	
Änd.-Nr.	Datum	Name	ÄNDERUNG	
2010			<input type="checkbox"/> DIESE MASSE SIND KONTROLLMASSE	EDV Nr.:
Gezeich.	10.02	Huß		Ersatz für: -
Geprüft			Werkstoff: 1 TPE 58° Shore A 3 Faden 2 TPE 93° Shore A	Projekt-Nr.:
Maßstab	Benennung: Überschlafdichtung			Zeich.-Nr.:
1:1	10mm Falz			DX 1452
10:1	Für diese Zeichnung behalten wir uns alle Rechte vor. (Gemäß DIN 34.)			Blattzahl: 1 Blatt:

# QLON\* DX 1431



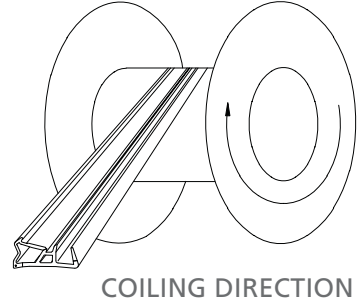
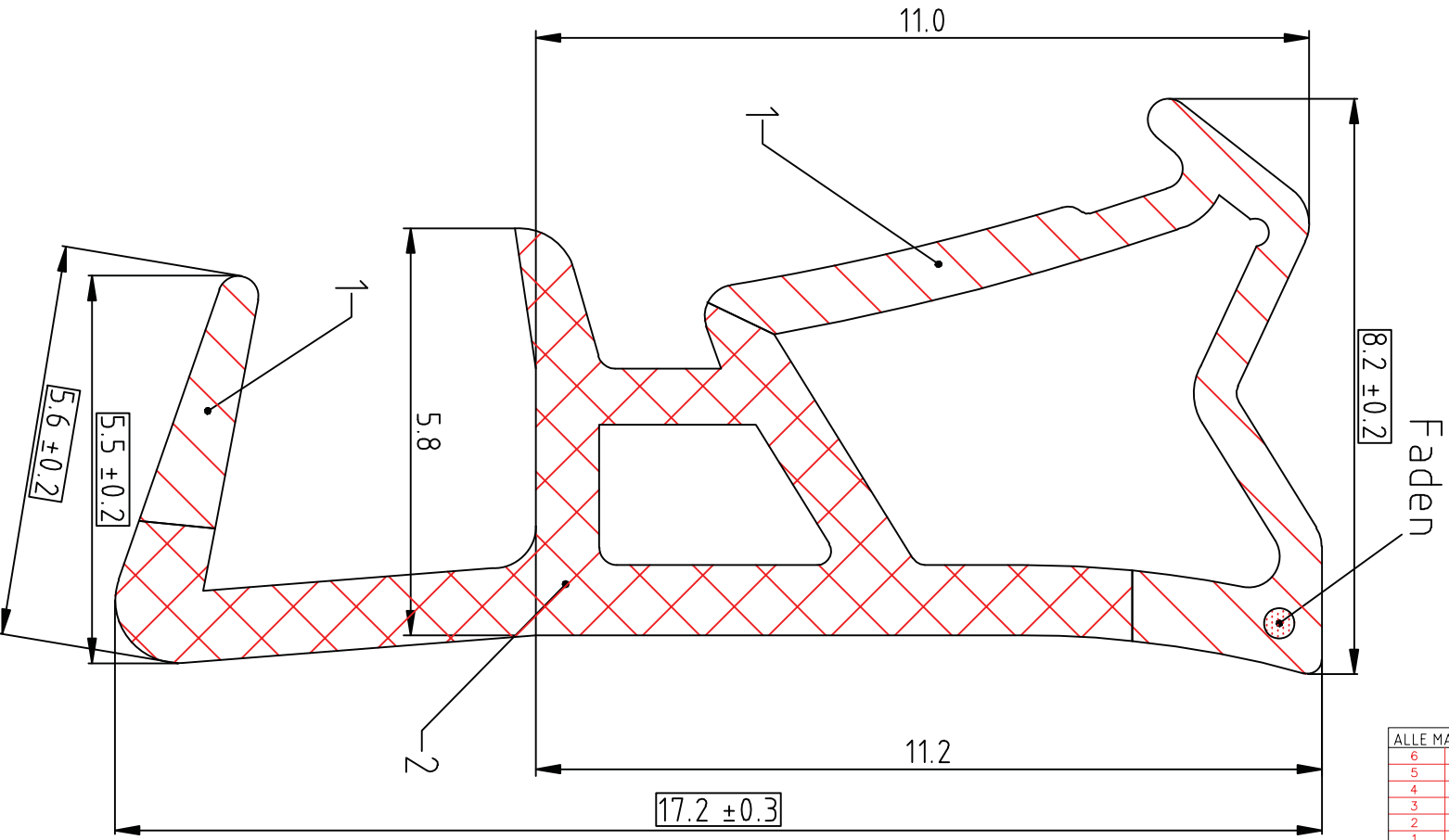
COILING DIRECTION

M1:1



ALLE MASSE OHNE TOLERANZANGABEN NACH DIN 16941-2				Papierformat A3
6				<b>Schlegel Germany GmbH</b>
5				
4				
3				
2				
1	21.08.07	Huß	Toleranzen eingetragen, Maß 5.8 war 5.6	
Änd.-Nr.	Datum	Name	ÄNDERUNG	
2007				EDV Nr.:
Gezeich.	13.08	Huß	☐ DIESE MASSE SIND KONTROLLMASSE	Ersatz für: -
Geprüft			Werkstoff: 1: TPE 58 Shore A 2: TPE 93 Shore A	Projekt-Nr.:
Maßstab	Benennung: Türanschlagdichtung 18mm Falz			Zeich.-Nr.:
1:1 10:1				DX 1431
Für diese Zeichnung behalten wir uns alle Rechte vor. (Gemäß DIN 34.)				Blattzahl: 1   Blatt:

# QLON\* DX 1432



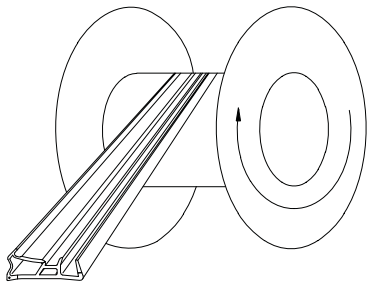
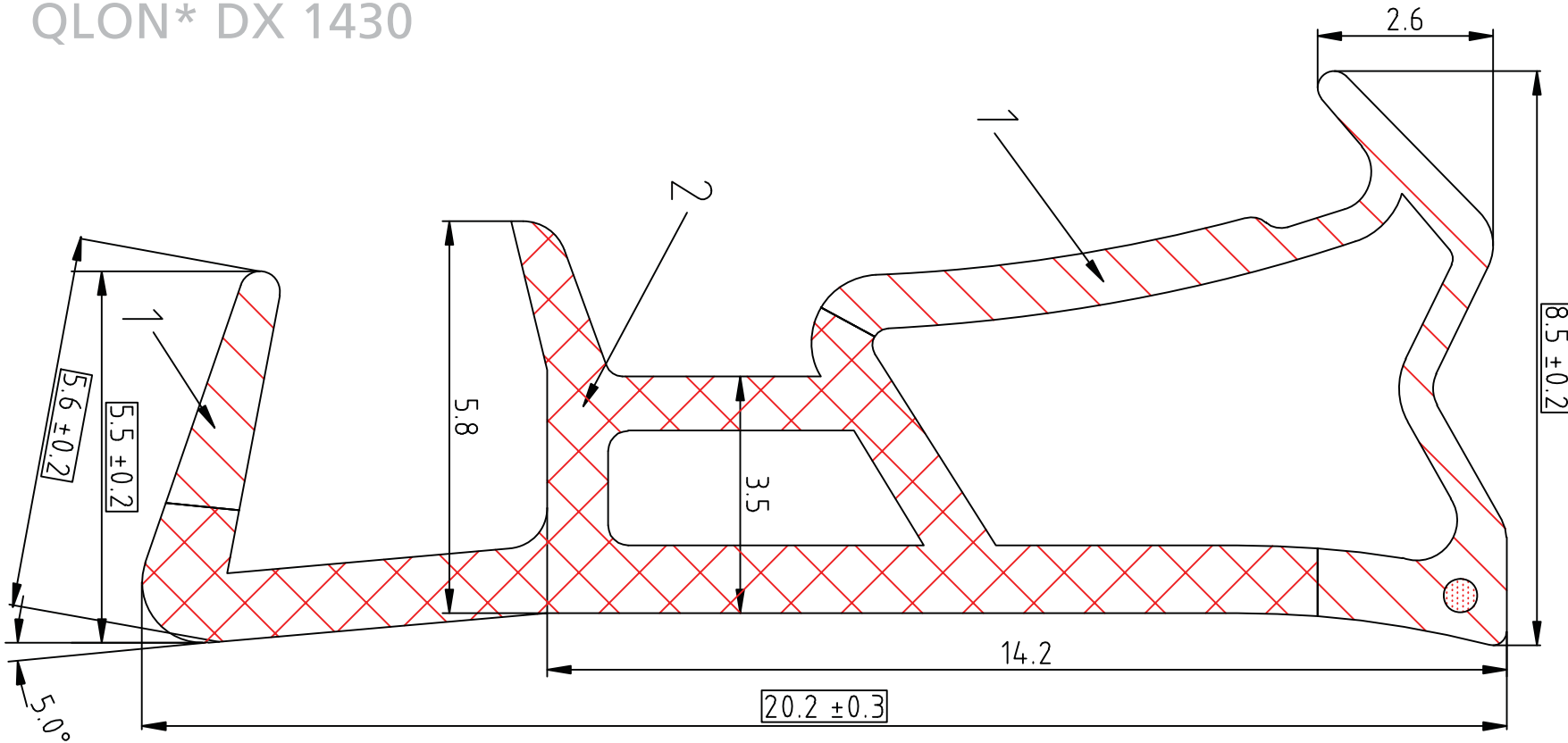
COILING DIRECTION

M1:1



ALLE MASSE OHNE TOLERANZANGABEN NACH DIN 16941-2				Papierformat A3
6				<b>Schlegel Germany GmbH</b>
5				
4				
3				
2				
1	--	--	--	
Änd.-Nr.	Datum	Name	ÄNDERUNG	AutoCAD 2006 LT
2007				EDW Nr:
Gezeich.	03.05.	Huß	<input type="checkbox"/> DIESE MASSE SIND KONTROLLMASSE	Ersatz für: DX 1384
Geprüft			Werkstoff: 1 TPE 58 Shore A 2 TPE 93 Shore A	Projekt-Nr.:
Maßstab	Benennung: Mitteldichtung für Holzfenster			Zeich.-Nr.:
1:1 10:1				DX 1432-0000
Für diese Zeichnung behalten wir uns alle Rechte vor. (Gemäß DIN 34.)				Blattzahl: 1   Blatt:

# QLON\* DX 1430



COILING DIRECTION

M1:1



ALLE MASSE OHNE TOLERANZANGABEN NACH DIN 16941-2				Papierformat A3
6				<b>Schlegel Germany GmbH</b>
5				
4				
3				
2				
1	21.08.07	Huß	Toleranzen eingetragen, Maß 5.8 war 5.6	
Änd.-Nr.	Datum	Name	ÄNDERUNG	AutoCAD 2006 LT
2007				EDV Nr.:
Gezeich.	13.08.	Huß	<input type="checkbox"/> DIESE MASSE SIND KONTROLLMASSE	Ersatz für: -
Geprüft			Werkstoff: 1: TPE 58 Shore A 2: TPE 93 Shore A	Projekt-Nr.:
Maßstab	Benennung: Türanschlagdichtung 15mm Falz			Zeich.-Nr.:
1:1 10:1				DX 1430
Für diese Zeichnung behalten wir uns alle Rechte vor. (Gemäß DIN 34.)				Blattzahl: 1   Blatt:



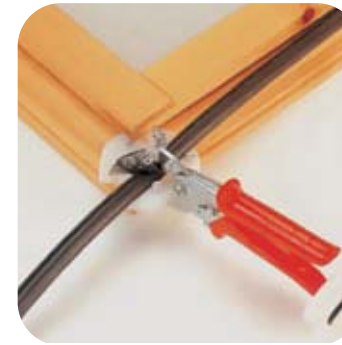
# Qlon the Ultimate Weatherseal



This is just part of our extensive range of Q-LON products. For a bespoke profile speak to a Schlegel Engineer.



This is just part of our extensive range of Q-LON products. For a bespoke profile speak to a Schlegel Engineer.



This is just part of our extensive range of Q-LON products. For a bespoke profile speak to a Schlegel Engineer.



This is just part of our extensive range of Q-LON products. For a bespoke profile speak to a Schlegel Engineer.



This is just part of our extensive range of Q-LON products. For a bespoke profile speak to a Schlegel Engineer.



This is just part of our extensive range of Q-LON products. For a bespoke profile speak to a Schlegel Engineer.

# WEATHER SEAL RANGE COLOUR CHART



BRONZE (RAL 8017)



WHITE (RAL 9003)



BLACK (RAL 9005)



OCHRE BROWN (RAL 8001)



DARK GREY  
(M5 EMBOSS ONLY RAL 7002)



BEIGE (RAL 1001)



LIGHT OAK (RAL 8003)



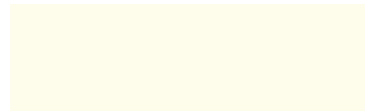
FAWN BROWN (RAL 8007)



LIGHT GREY (RAL 7035)



SILVER GREY (RAL 7001)



PURE WHITE (RAL 9010)



CHESTNUT BROWN (RAL 8015)



GRAPHITE GREY (RAL 7024)

This chart is a 'rough' guide only not be used as an exact representation of the finished colour options available.