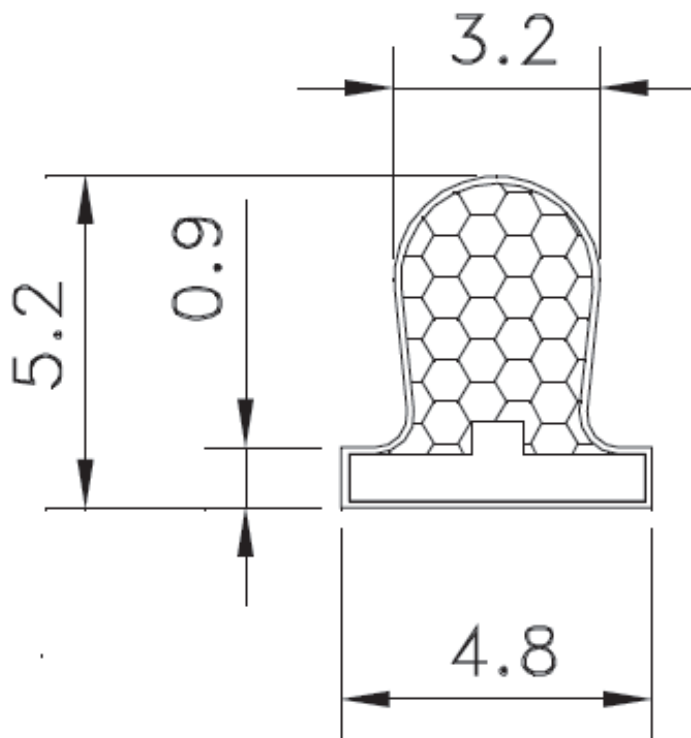




Foam Seals

[ALUMINIUM TILT AND TURN WINDOW]

Qlon - Aquamac



AQUAMAC™ and QLON™ the ultimate weatherseal

With over 50 years of global experience in the design and manufacture of outstanding window and door products, it is little wonder that Schlegel has become the industry's first choice for not only weatherseal products, but locking and security systems, handles and hardware.

The Unique Aquamac and QLON weatherseal has been developed in consultation with our customers to offer the widest range of seals possible for aluminium windows and doors. The unique design has made Aquamac and QLON impervious to paint and stain, while still providing some of the best energy saving performance characteristics currently available.

Backed by our lifetime guarantee, Aquamac and QLON will never let you or your customer down, making it a highly cost effective way of offering continuous high standards of weathersealing, year after year.

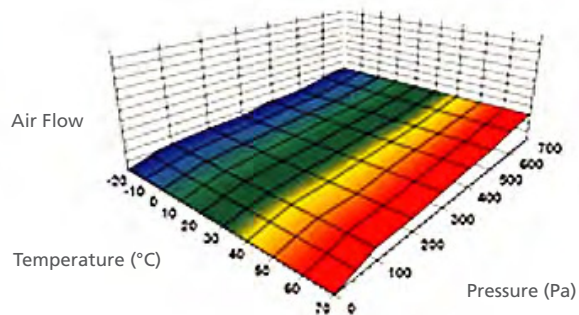


Window performance using EPDM flipper seal

OUTSTANDING ENERGY EFFICIENCY

Specially designed to meet the different demands of aluminium windows and doors, Aquamac and QLON maintains consistently high standards of energy efficiency, often exceeding any long-term window performance guarantees.

- Exceptional performance maintained over a wide temperature range. Doesn't shrink or stretch, even in extreme climatic conditions.
- Excellent memory - retains its original shape year after year to maintain a consistently high standard or weatherseal.
- Kerf tolerances have been increased and are more forgiving of your manufacturing process -2.7mm ± 0.3mm.
- Compensates for window movement.
- Lower insertion forces speed up fitting by 15%

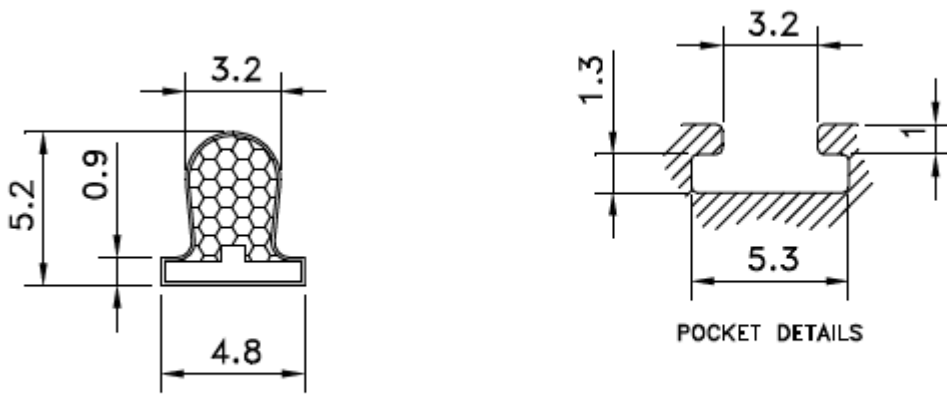


Window performance using Schlegel Aquamac and Qlon

The graph shows the weather performance against competitor gaskets and demonstrates that Aquamac and Qlon provides less air leakage over a wide temperature range when compared to our competitors.

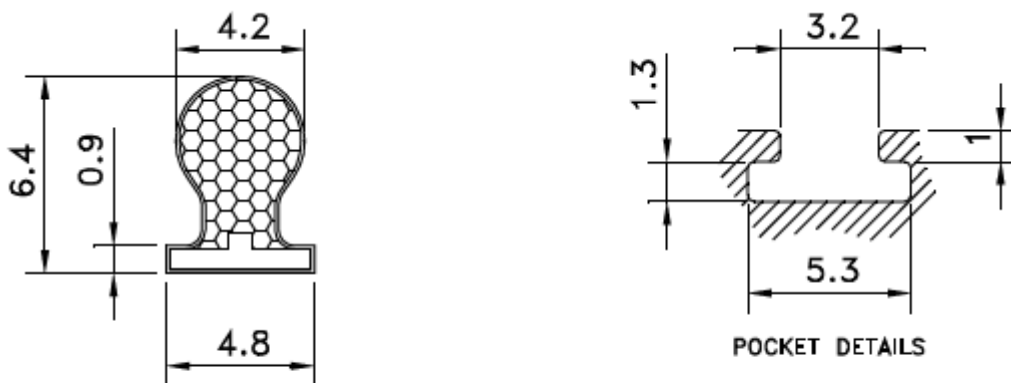


QLON™ 48510



TECHNICAL SPECIFICATION: A, SEAL GAP: 1.1mm MIN to 2.4mm MAX

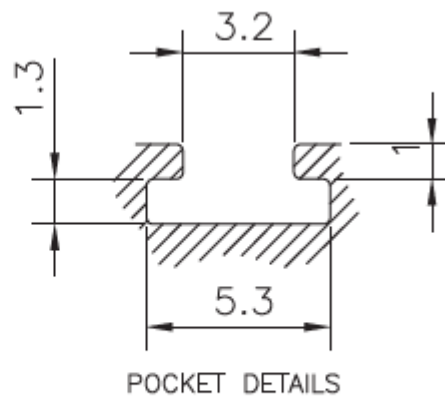
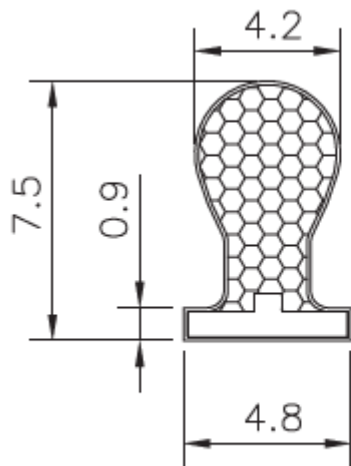
QLON™ 48650



TECHNICAL SPECIFICATION: A, SEAL GAP 1.8mm MIN to 3.4mm MAX

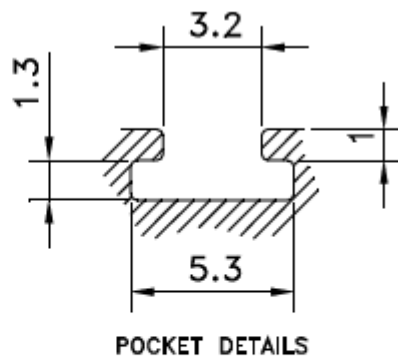
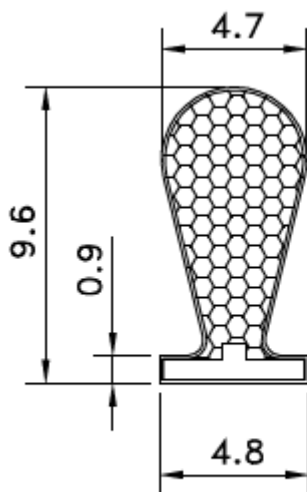


QLON™ 48750



TECHNICAL SPECIFICATION: A, SEAL GAP 2.7mm MIN to 4.6mm MAX

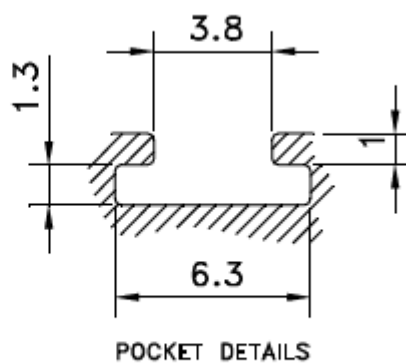
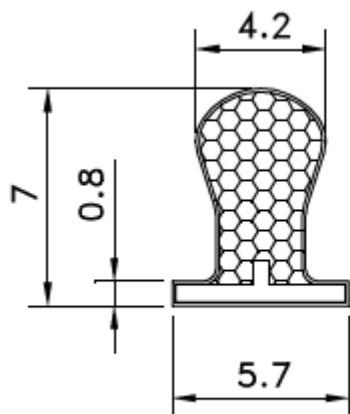
QLON™ 48950



TECHNICAL SPECIFICATION: A, SEAL GAP 4.0mm MIN to 6.4mm MAX

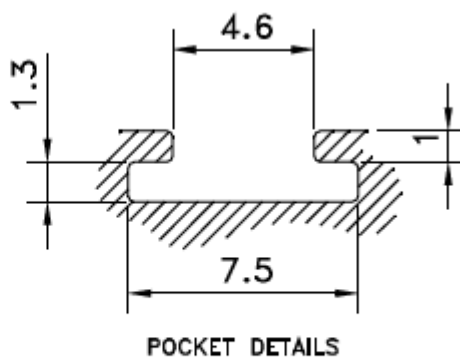
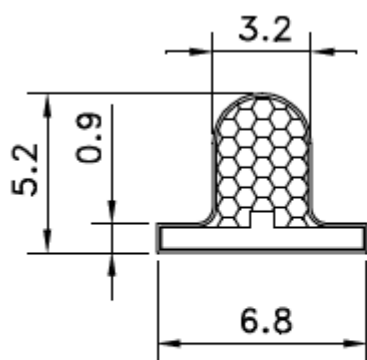


QLON™ 57700



TECHNICAL SPECIFICATION: A, SEAL GAP: 2.3mm MIN to 4.0mm MAX

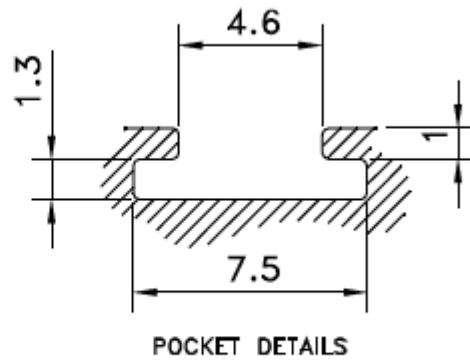
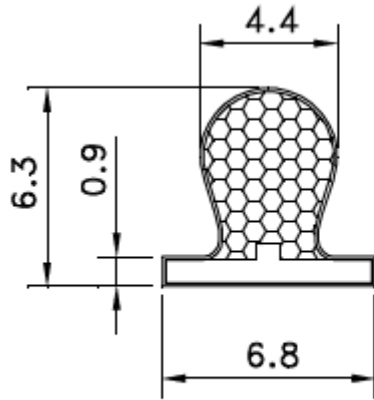
QLON™ 69510



TECHNICAL SPECIFICATION: A, SEAL GAP: 1.1mm MIN to 2.4mm MAX

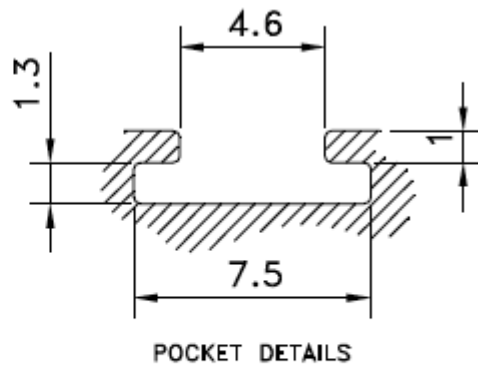
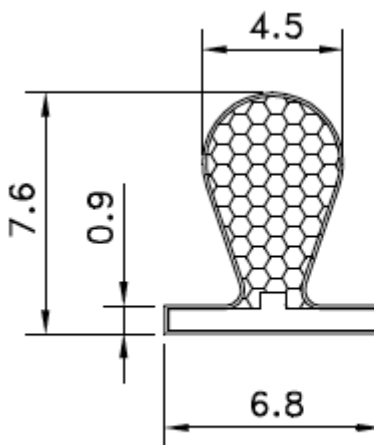


QLON™ 69650



TECHNICAL SPECIFICATION: A, SEAL GAP 1.8mm MIN to 3.4mm MAX

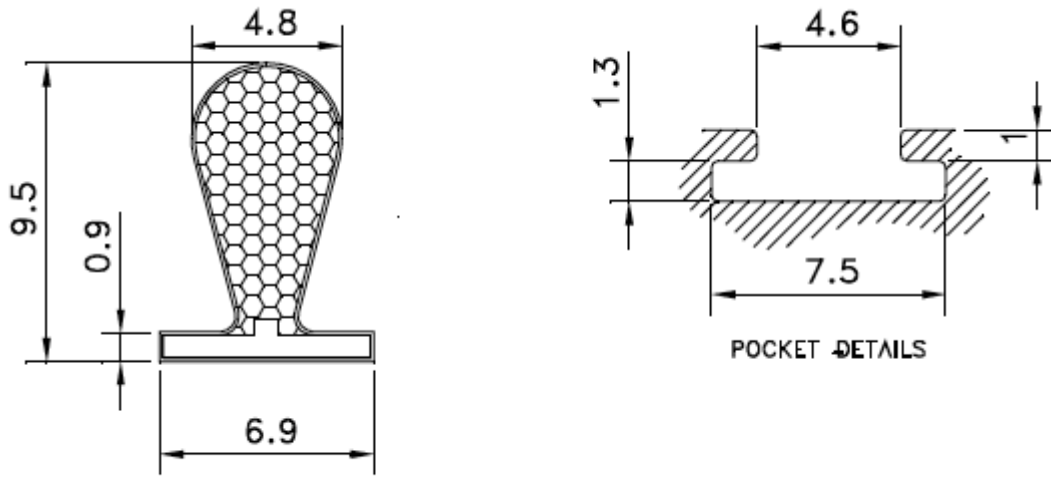
QLON™ 69750



TECHNICAL SPECIFICATION: A, SEAL GAP 2.7mm MIN to 4.6mm MAX



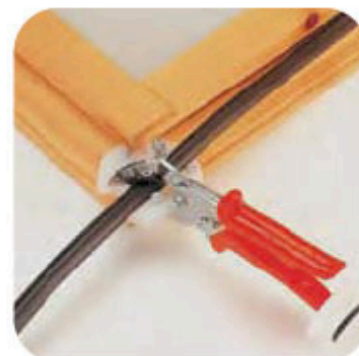
QLON™ 69950



TECHNICAL SPECIFICATION: A, SEAL GAP. 3.9mm MIN to 6.3mm MAX



QLON™ and AQUAMAC™ the ultimate weatherseal



Schlegel can offer a range of tools to aid in the use of their weatherseal range. These include:

- Weatherseal pay-offs
- Insertion rollers
- Mitre cutters



WEATHERSEAL RANGE COLOUR CHART



BRONZE (RAL 8017)



WHITE (RAL 9003)



BLACK (RAL 9005)



DARK GREY
(M5 EMBOSS ONLY RAL 7002)



BEIGE (RAL 1001)



LIGHT OAK (RAL 8003)



LIGHT GREY (RAL 7035)



SILVER GREY (RAL 7001)



OCHRE BROWN (RAL 8001)



CHESTNUT BROWN (RAL 8015)



GRAPHITE GREY (RAL 7024)



FAWN BROWN (RAL 8007)



PURE WHITE (RAL 9010)

- This chart is a 'rough' guide only not to be used as an exact representation of the finished colour
- Options available

