



Foam Seals

[TIMBER CASEMENT WINDOWS]

Qlon - Aquamac



Schlegel Germany GmbH Bredowstrasse 33, 22113 Hamburg Deutschland
Tel: +49 407 33 290 Fax: +49 407 332 9219 email: schlegelde@schlegel.eu.com www.schlegel.com www.grouphomesafe.com

Schlegel UK, Henlow Industrial Estate, Henlow Camp, Bedfordshire, SG16 6DS UK
Tel: +44 1462 815500 Fax: +44 1462 811963 email: schlegeluk@schlegel.eu.com www.schlegel.com www.grouphomesafe.com

AQUAMAC™ and QLON™ the ultimate weatherseal

With over 50 years of global experience in the design and manufacture of outstanding window and door products, it is little wonder that Schlegel has become the industry's first choice for not only weatherseal products, but locking and security systems, handles and hardware.

The Unique Aquamac and QLON weatherseal has been developed in consultation with our customers to offer the widest range of seals possible for aluminium windows and doors. The unique design has made Aquamac and QLON impervious to paint and stain, while still providing some of the best energy saving performance characteristics currently available.

Backed by our lifetime guarantee, Aquamac and QLON will never let you or your customer down, making it a highly cost effective way of offering continuous high standards of weathersealing, year after year.

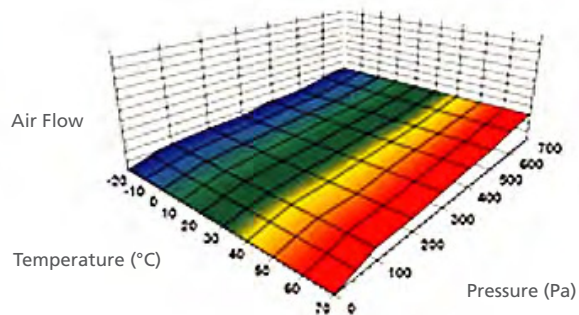


Window performance using EPDM flipper seal

OUTSTANDING ENERGY EFFICIENCY

Specially designed to meet the different demands of aluminium windows and doors, Aquamac and QLON maintains consistently high standards of energy efficiency, often exceeding any long-term window performance guarantees.

- Exceptional performance maintained over a wide temperature range. Doesn't shrink or stretch, even in extreme climatic conditions.
- Excellent memory - retains its original shape year after year to maintain a consistently high standard or weatherseal.
- Kerf tolerances have been increased and are more forgiving of your manufacturing process -2.7mm ± 0.3mm.
- Compensates for window movement.
- Lower insertion forces speed up fitting by 15%



Window performance using Schlegel Aquamac and Qlon

The graph shows the weather performance against competitor gaskets and demonstrates that Aquamac and Qlon provides less air leakage over a wide temperature range when compared to our competitors.



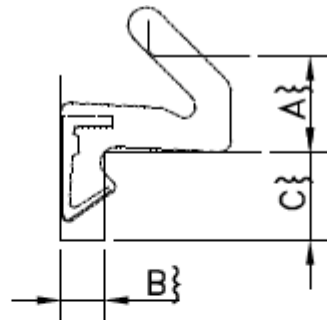
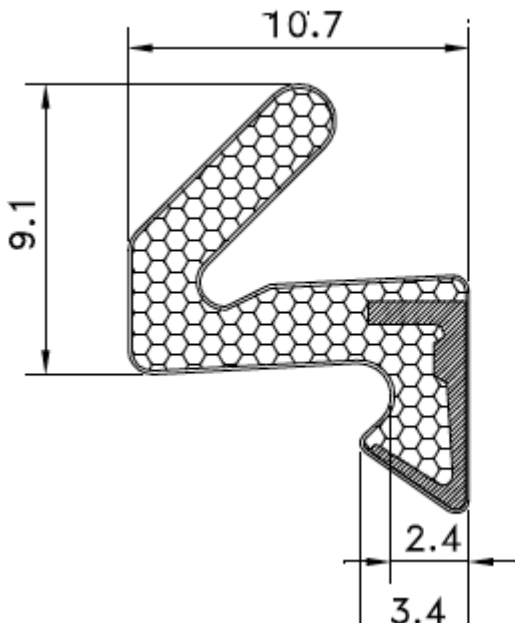
Schlegel Germany GmbH Bredowstrasse 33, 22113 Hamburg Deutschland

Tel: +49 407 33 290 Fax: +49 407 332 9219 email: schlegelde@schlegel.eu.com www.schlegel.com www.grouphomesafe.com

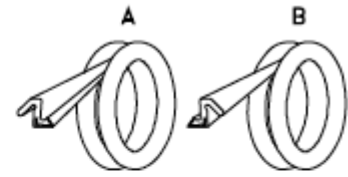
Schlegel UK, Henlow Industrial Estate, Henlow Camp, Bedfordshire, SG16 6DS UK

Tel: +44 1462 815500 Fax: +44 1462 811963 email: schlegeluk@schlegel.eu.com www.schlegel.com www.grouphomesafe.com

AQUAMACT™ 21



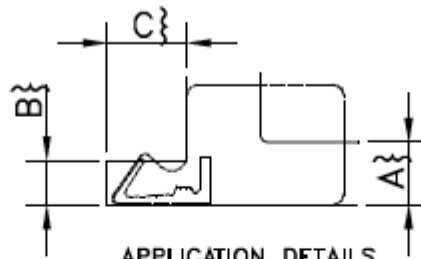
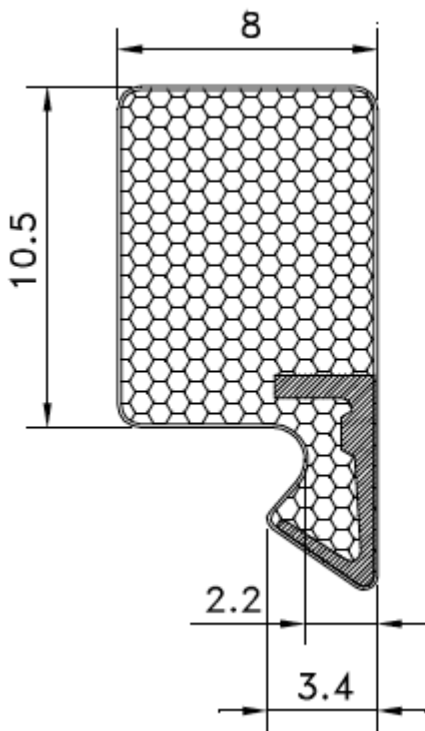
APPLICATION DETAILS



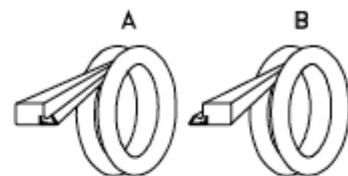
COIL DIRECTION

TECHNICAL SPECIFICATION: A, SEAL GAP: 5.0mm MINto 7.5mmMAX
 B, KERF SLOT WIDTH. 2.7mm NOMINAL
 C, MINIMUM KERF SLOT DEPTH 5.5mm

AQUAMACT™ 33



APPLICATION DETAILS



COIL DIRECTION

TECHNICAL SPECIFICATION: A, SEAL GAP: 4.0mm MINto 6.4mmMAX
 B, KERF SLOT WIDTH. 2.7mm NOMINAL
 C, MINIMUM KERF SLOT DEPTH 5.5mm



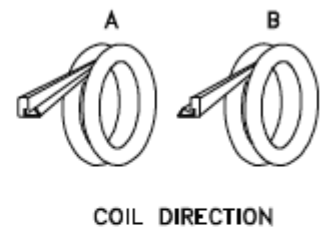
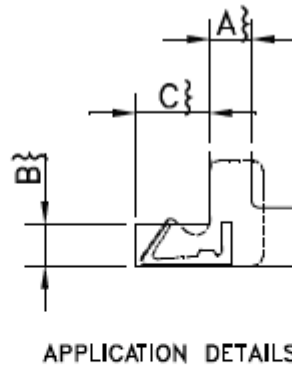
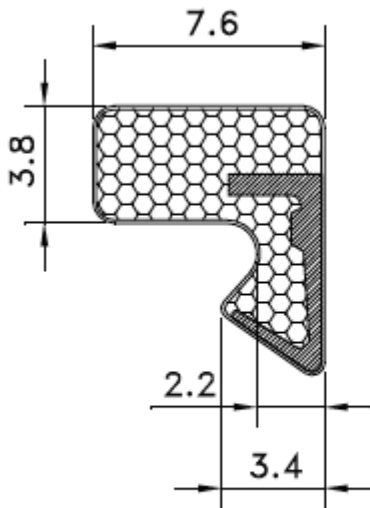
Schlegel Germany GmbH Bredowstrasse 33, 22113 Hamburg Deutschland

Tel: +49 407 33 290 Fax: +49 407 332 9219 email: schlegelde@schlegel.eu.com www.schlegel.com www.grouphomesafe.com

Schlegel UK, Henlow Industrial Estate, Henlow Camp, Bedfordshire, SG16 6DS UK

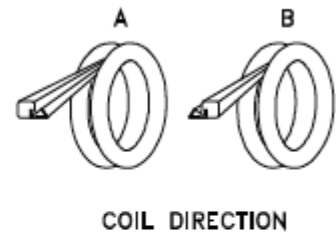
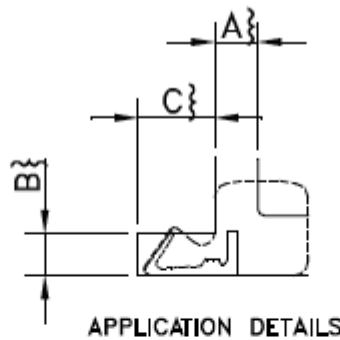
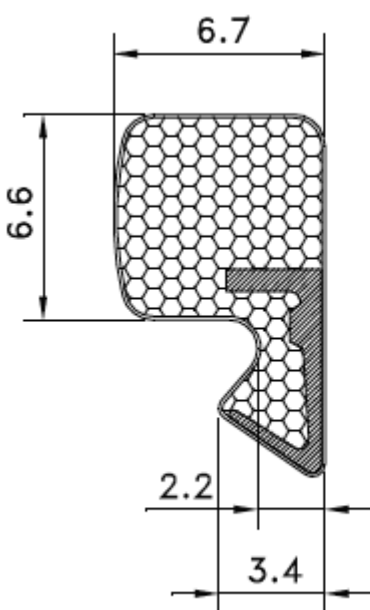
Tel: +44 1462 815500 Fax: +44 1462 811963 email: schlegeluk@schlegel.eu.com www.schlegel.com www.grouphomesafe.com

AQUAMAC™ 48



TECHNICAL SPECIFICATION: A, SEAL GAP. 2.0mm MIN to 3.0mm MAX
 B, KERF SLOT WIDTH. 2.7mm NOMINAL
 C, MINIMUM KERF SLOT DEPTH 5.5mm

AQUAMAC™ 63



TECHNICAL SPECIFICATION: A, SEAL GAP. 3.4mm MIN to 5.4mm MAX
 B, KERF SLOT WIDTH. 2.7mm NOMINAL
 C, MINIMUM KERF SLOT DEPTH 5.5mm



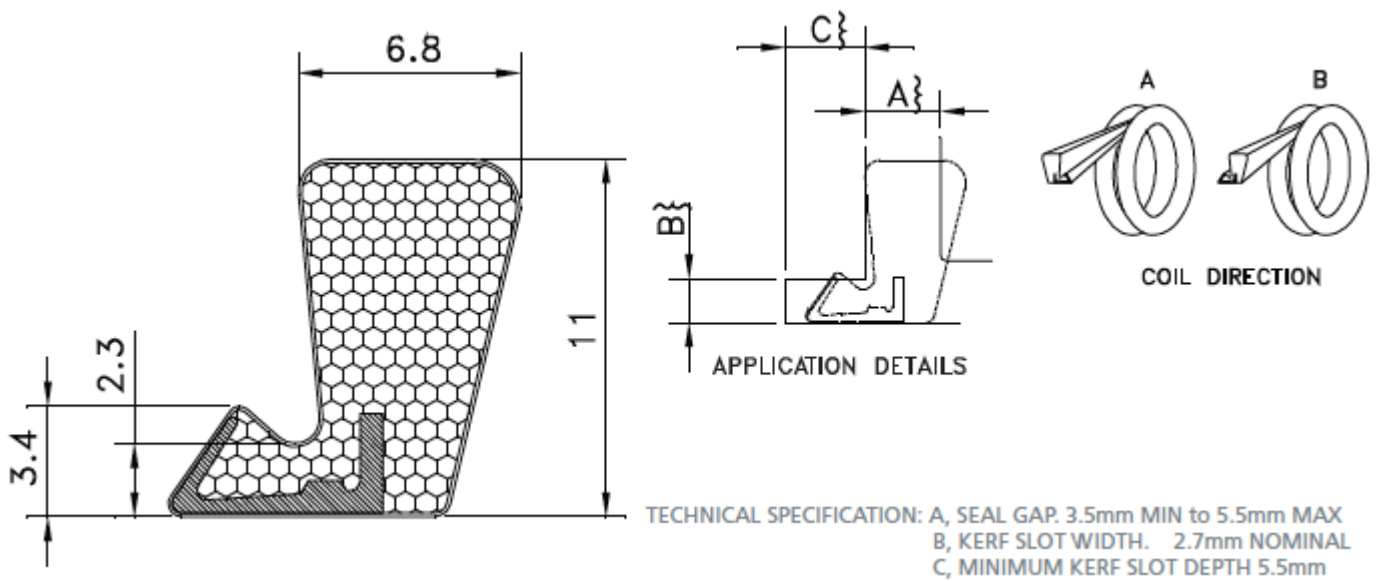
Schlegel Germany GmbH Bredowstrasse 33, 22113 Hamburg Deutschland

Tel: +49 407 33 290 Fax: +49 407 332 9219 email: schlegelde@schlegel.eu.com www.schlegel.com www.grouphomesafe.com

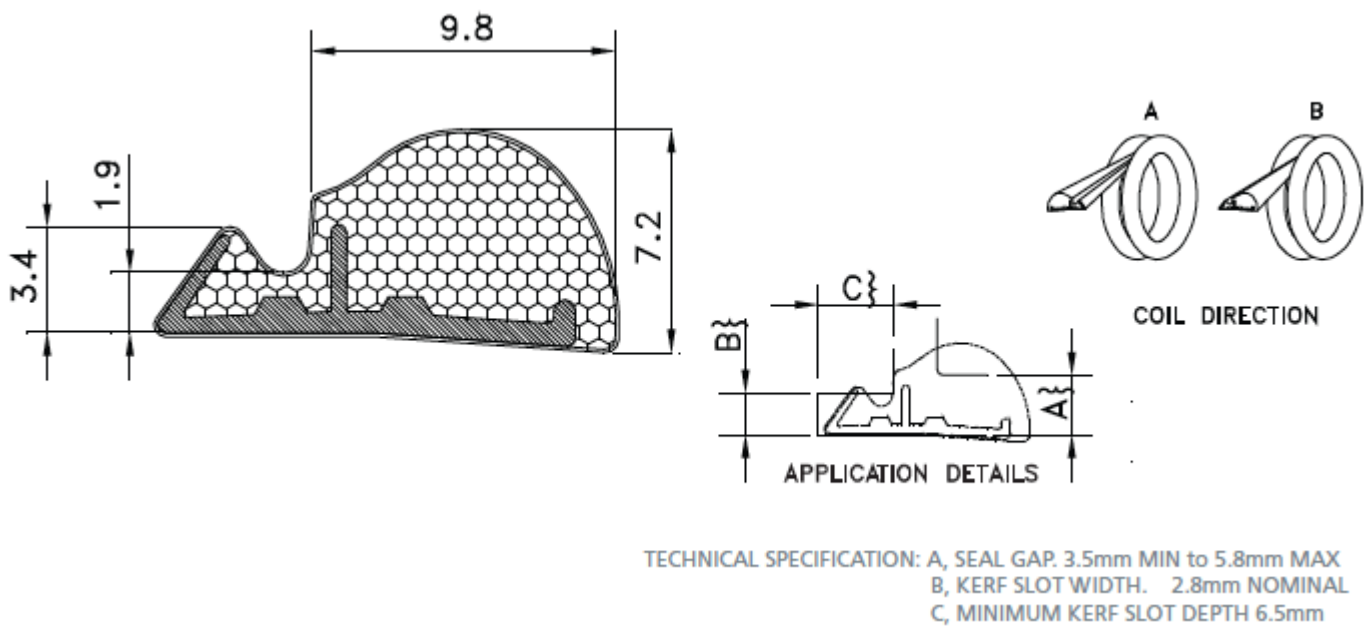
Schlegel UK, Henlow Industrial Estate, Henlow Camp, Bedfordshire, SG16 6DS UK

Tel: +44 1462 815500 Fax: +44 1462 811963 email: schlegeluk@schlegel.eu.com www.schlegel.com www.grouphomesafe.com

AQUAMAC™ 109



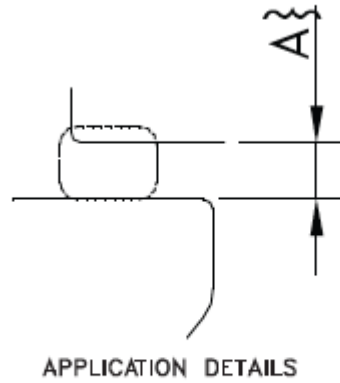
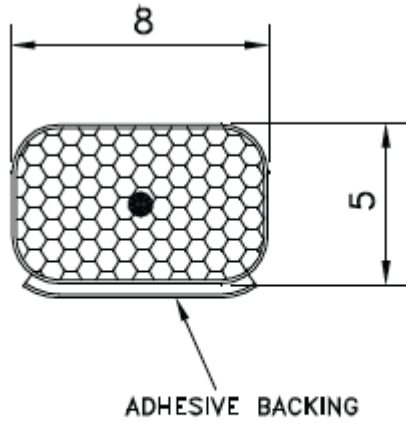
AQUAMAC™ 120



Schlegel Germany GmbH Bredowstrasse 33, 22113 Hamburg Deutschland
 Tel: +49 407 33 290 Fax: +49 407 332 9219 email: schlegelde@schlegel.eu.com www.schlegel.com www.grouphomesafe.com

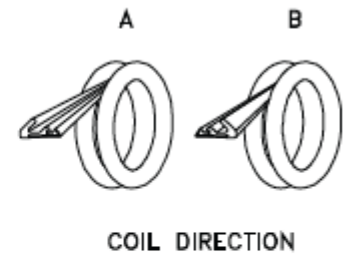
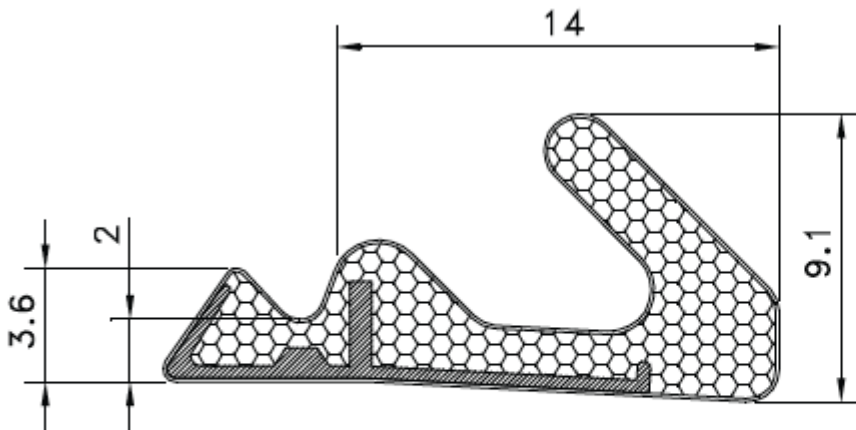
Schlegel UK, Henlow Industrial Estate, Henlow Camp, Bedfordshire, SG16 6DS UK
 Tel: +44 1462 815500 Fax: +44 1462 811963 email: schlegeluk@schlegel.eu.com www.schlegel.com www.grouphomesafe.com

AQUAMAC™ 122

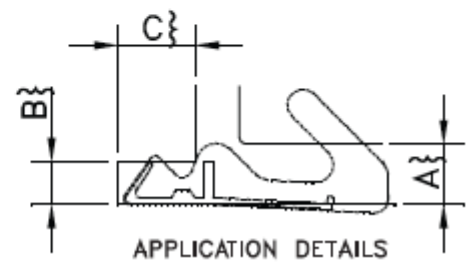


TECHNICAL SPECIFICATION: A, SEAL GAP. 2.5mm MIN to 4.0mm MAX

AQUAMAC™ 124



COIL DIRECTION



TECHNICAL SPECIFICATION: A, SEAL GAP. 5.0mm MIN to 7.3mm MAX
 B, KERF SLOT WIDTH. 3.0mm NOMINAL
 C, MINIMUM KERF SLOT DEPTH 6.5mm



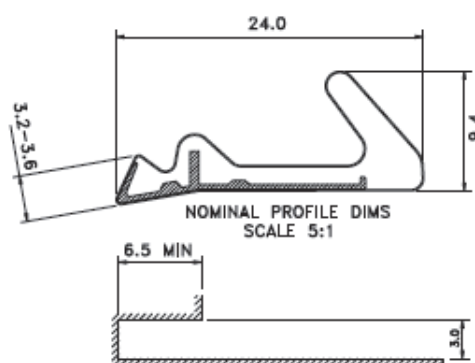
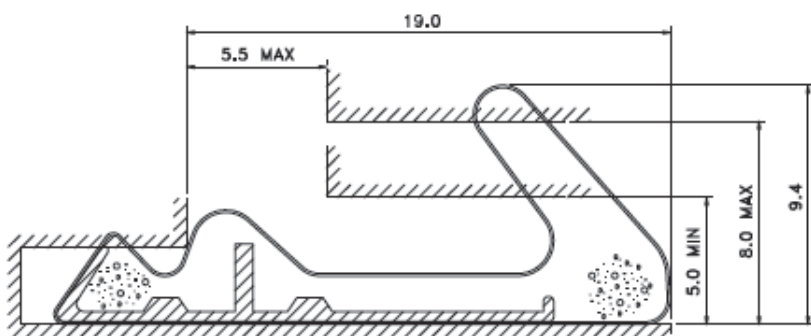
Schlegel Germany GmbH Bredowstrasse 33, 22113 Hamburg Deutschland

Tel: +49 407 33 290 Fax: +49 407 332 9219 email: schlegelde@schlegel.eu.com www.schlegel.com www.grouphomesafe.com

Schlegel UK, Henlow Industrial Estate, Henlow Camp, Bedfordshire, SG16 6DS UK

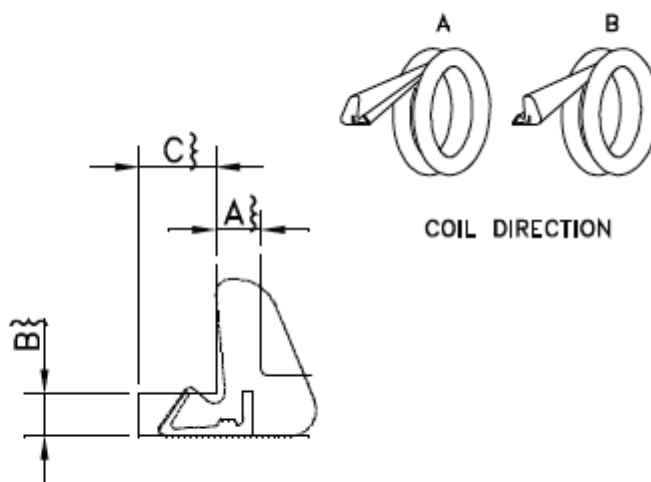
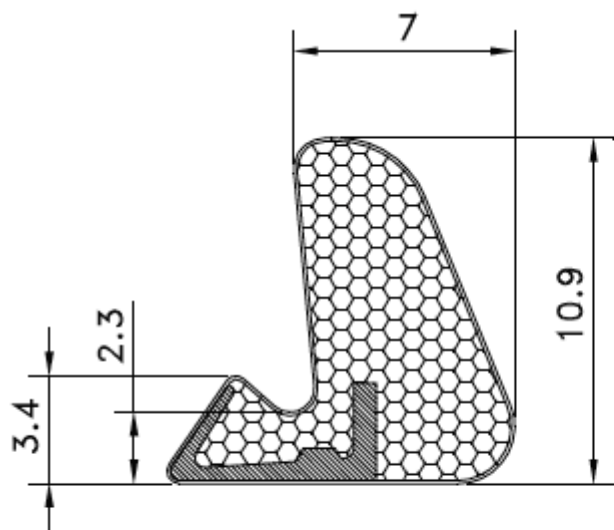
Tel: +44 1462 815500 Fax: +44 1462 811963 email: schlegeluk@schlegel.eu.com www.schlegel.com www.grouphomesafe.com

AQUAMAC™ 836



NOTES:-
 1, DIMENSIONS ARE NOMINAL UNLESS OTHERWISE STATED
 2, INFORMATION ON DRAWING MAY CHANGE WITHOUT NOTICE
 B KERF MOD TO SUIT 3.0MM SLOT
 A INITIAL ISSUE

AQUAMAC™ 4846



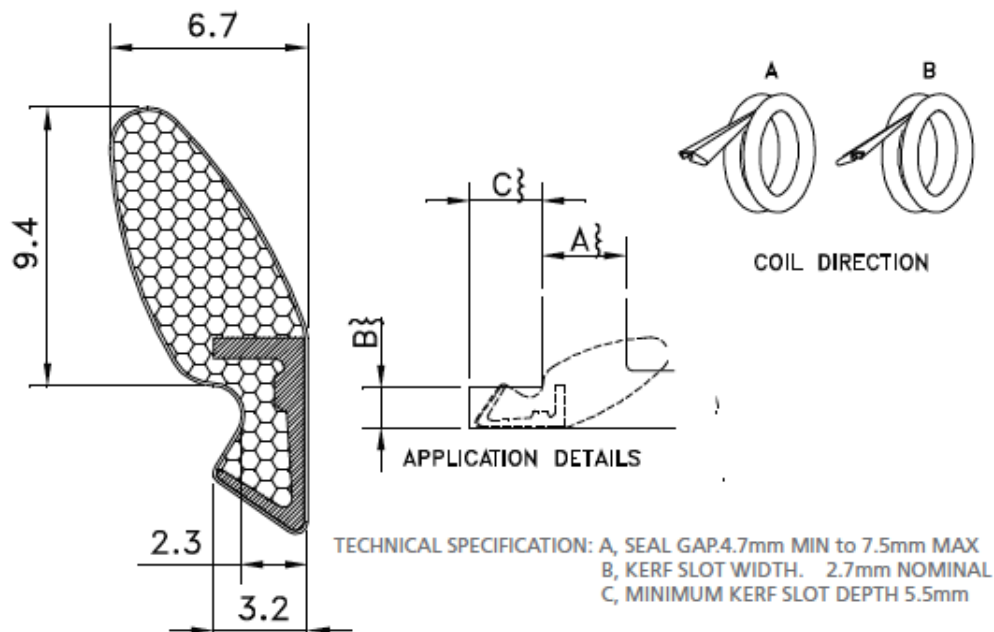
TECHNICAL SPECIFICATION: A, SEAL GAP. 3.5mm MIN to 5.6mm MAX
 B, KERF SLOT WIDTH. 2.7mm NOMINAL
 C, MINIMUM KERF SLOT DEPTH 5.5mm



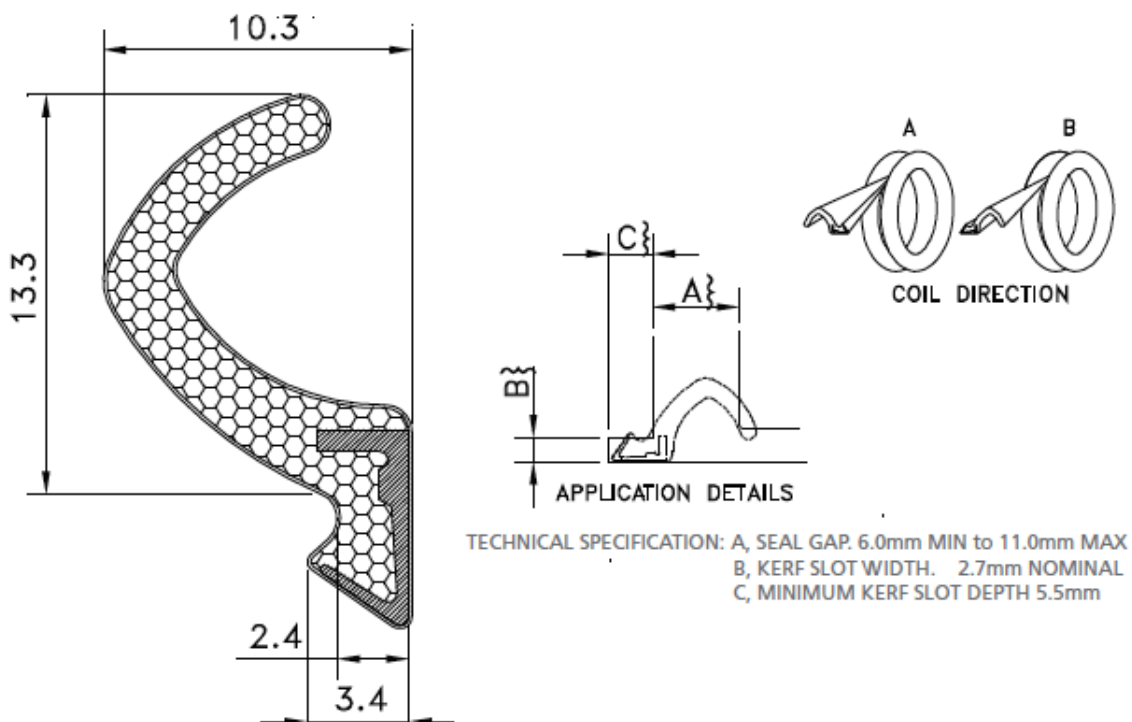
Schlegel Germany GmbH Bredowstrasse 33, 22113 Hamburg Deutschland
 Tel: +49 407 33 290 Fax: +49 407 332 9219 email: schlegelde@schlegel.eu.com www.schlegel.com www.grouphomesafe.com

Schlegel UK, Henlow Industrial Estate, Henlow Camp, Bedfordshire, SG16 6DS UK
 Tel: +44 1462 815500 Fax: +44 1462 811963 email: schlegeluk@schlegel.eu.com www.schlegel.com www.grouphomesafe.com

AQUAMAC™ 5626



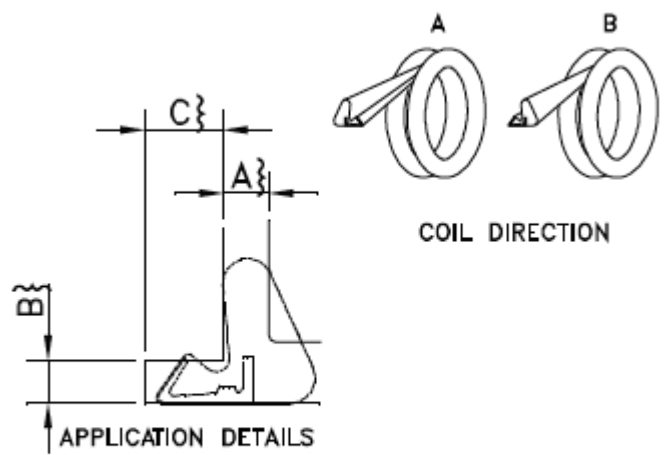
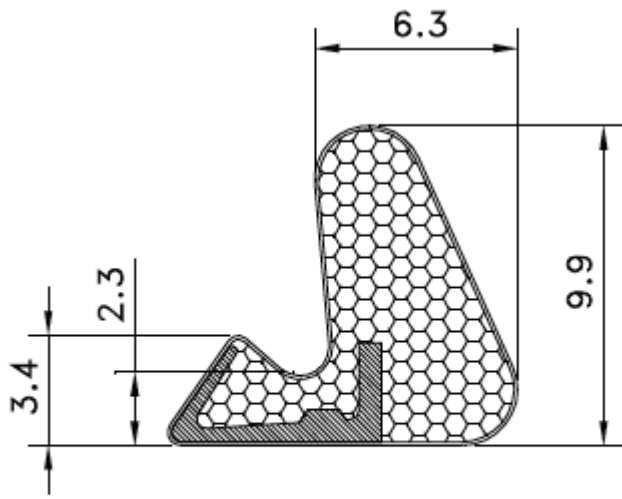
AQUAMAC™ 5694



Schlegel Germany GmbH Bredowstrasse 33, 22113 Hamburg Deutschland
 Tel: +49 407 33 290 Fax: +49 407 332 9219 email: schlegelde@schlegel.eu.com www.schlegel.com www.grouphomesafe.com

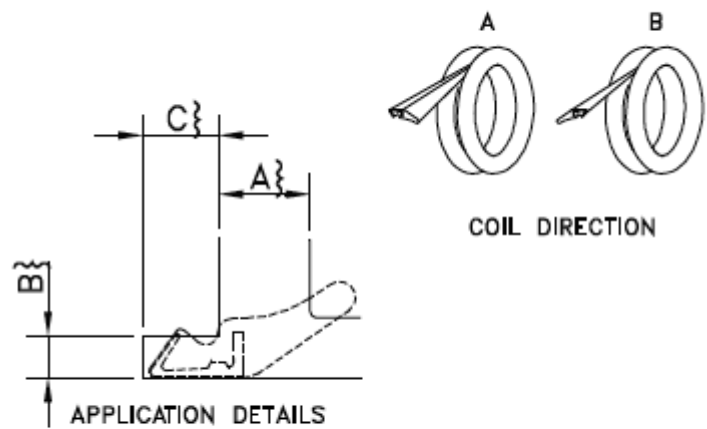
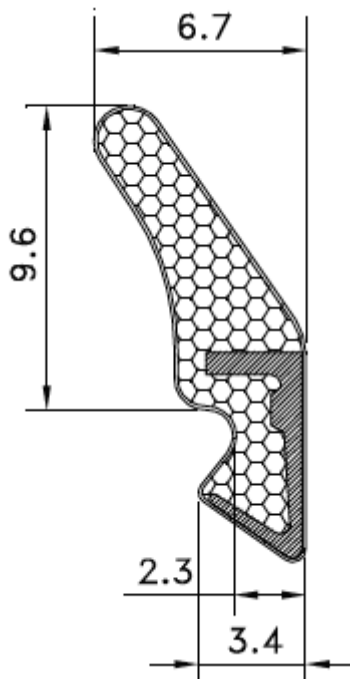
Schlegel UK, Henlow Industrial Estate, Henlow Camp, Bedfordshire, SG16 6DS UK
 Tel: +44 1462 815500 Fax: +44 1462 811963 email: schlegeluk@schlegel.eu.com www.schlegel.com www.grouphomesafe.com

AQUAMAC™ 5878



TECHNICAL SPECIFICATION: A, SEAL GAP. 3.2mm MIN to 4.9mm MAX
 B, KERF SLOT WIDTH. 2.7mm NOMINAL
 C, MINIMUM KERF SLOT DEPTH 5.5mm

AQUAMAC™ 7066



TECHNICAL SPECIFICATION: A, SEAL GAP. 4.8mm MIN to 7.7mm MAX
 B, KERF SLOT WIDTH. 2.7mm NOMINAL
 C, MINIMUM KERF SLOT DEPTH 5.5mm



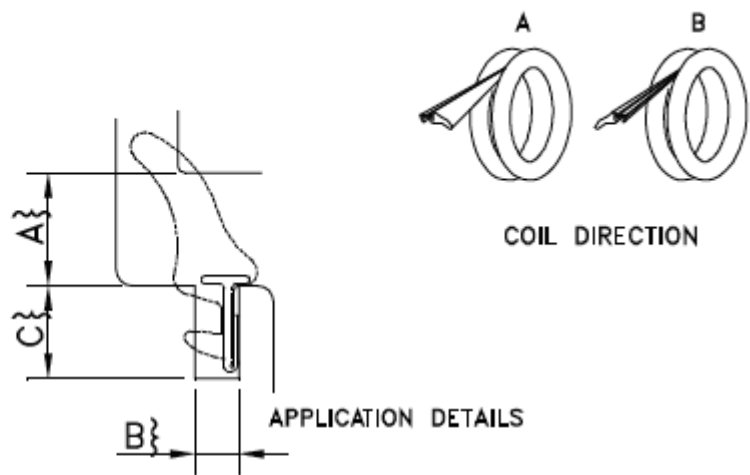
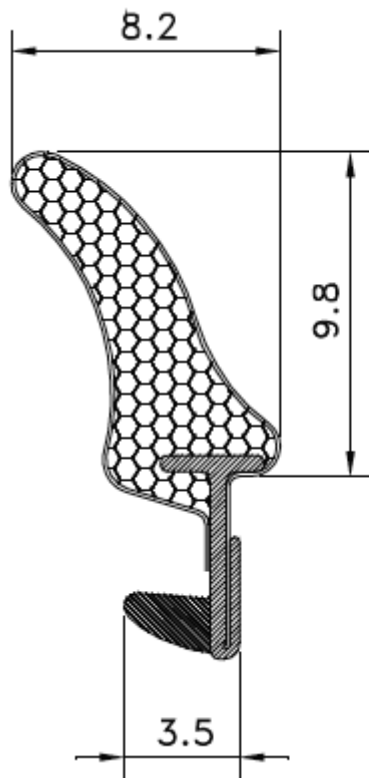
Schlegel Germany GmbH Bredowstrasse 33, 22113 Hamburg Deutschland

Tel: +49 407 33 290 Fax: +49 407 332 9219 email: schlegelde@schlegel.eu.com www.schlegel.com www.grouphomesafe.com

Schlegel UK, Henlow Industrial Estate, Henlow Camp, Bedfordshire, SG16 6DS UK

Tel: +44 1462 815500 Fax: +44 1462 811963 email: schlegeluk@schlegel.eu.com www.schlegel.com www.grouphomesafe.com

AQUAMAC™ 9111



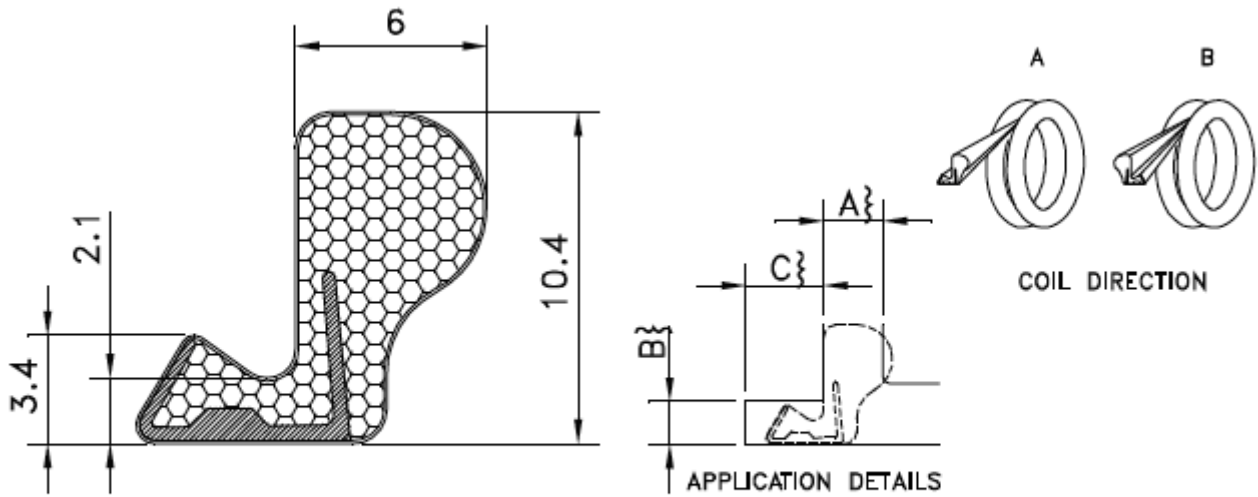
TECHNICAL SPECIFICATION: A, SEAL GAP. 4.8mm MIN to 7.9mm MAX
B, KERF SLOT WIDTH. 3.2mm NOMINAL
C, MINIMUM KERF SLOT DEPTH 6mm



Schlegel Germany GmbH Bredowstrasse 33, 22113 Hamburg Deutschland
Tel: +49 407 33 290 Fax: +49 407 332 9219 email: schlegelde@schlegel.eu.com www.schlegel.com www.grouphomesafe.com

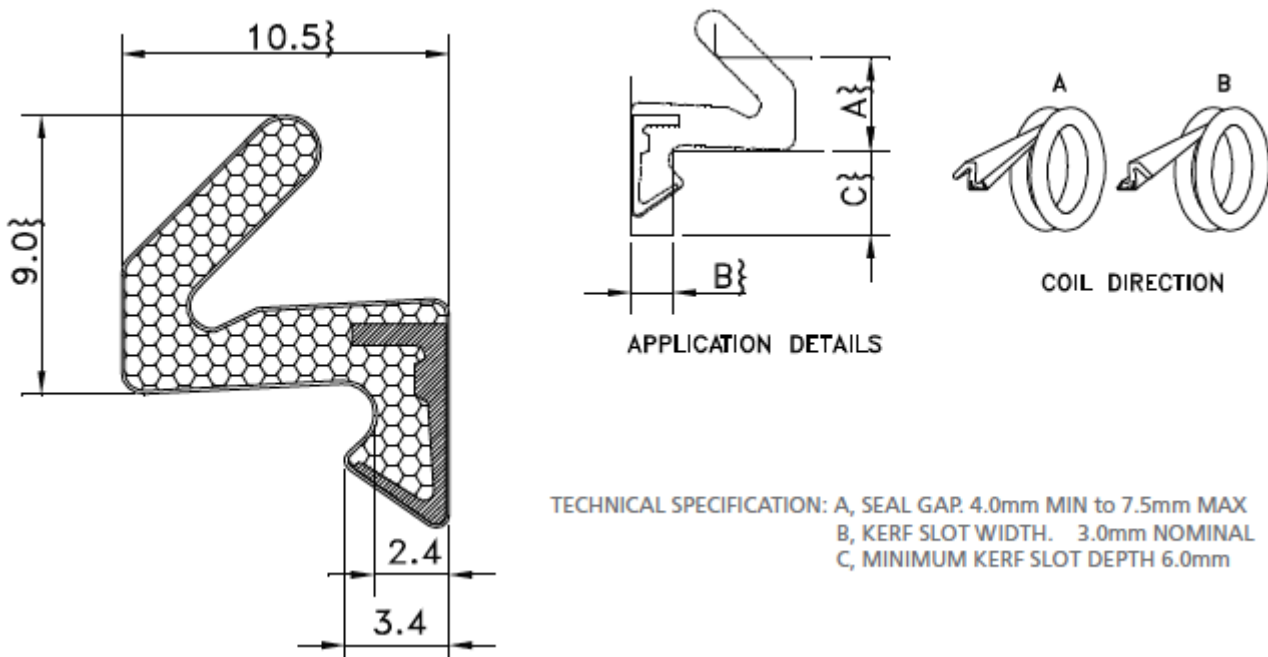
Schlegel UK, Henlow Industrial Estate, Henlow Camp, Bedfordshire, SG16 6DS UK
Tel: +44 1462 815500 Fax: +44 1462 811963 email: schlegeluk@schlegel.eu.com www.schlegel.com www.grouphomesafe.com

QLON™ 3004



TECHNICAL SPECIFICATION: A, SEAL GAP. 3.0mm MIN to 4.8mm MAX
 B, KERF SLOT WIDTH. 3.0mm NOMINAL
 C, MINIMUM KERF SLOT DEPTH 6.0mm

QLON™ 3009



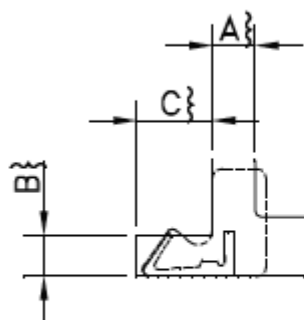
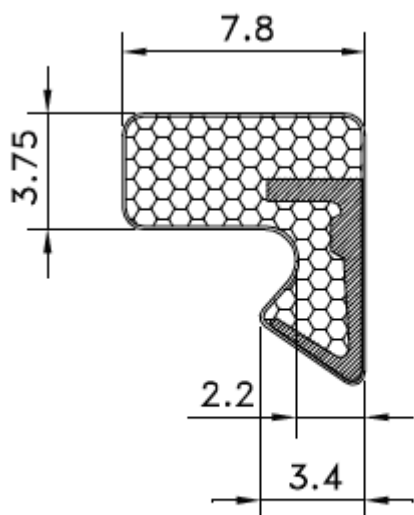
TECHNICAL SPECIFICATION: A, SEAL GAP. 4.0mm MIN to 7.5mm MAX
 B, KERF SLOT WIDTH. 3.0mm NOMINAL
 C, MINIMUM KERF SLOT DEPTH 6.0mm



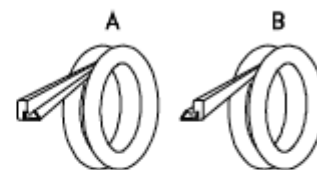
Schlegel Germany GmbH Bredowstrasse 33, 22113 Hamburg Deutschland
 Tel: +49 407 33 290 Fax: +49 407 332 9219 email: schlegelde@schlegel.eu.com www.schlegel.com www.grouphomesafe.com

Schlegel UK, Henlow Industrial Estate, Henlow Camp, Bedfordshire, SG16 6DS UK
 Tel: +44 1462 815500 Fax: +44 1462 811963 email: schlegeluk@schlegel.eu.com www.schlegel.com www.grouphomesafe.com

QLON™ 3013



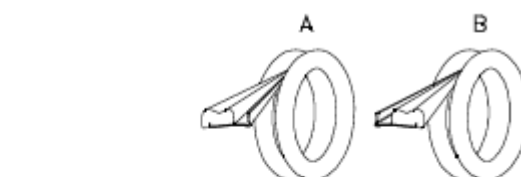
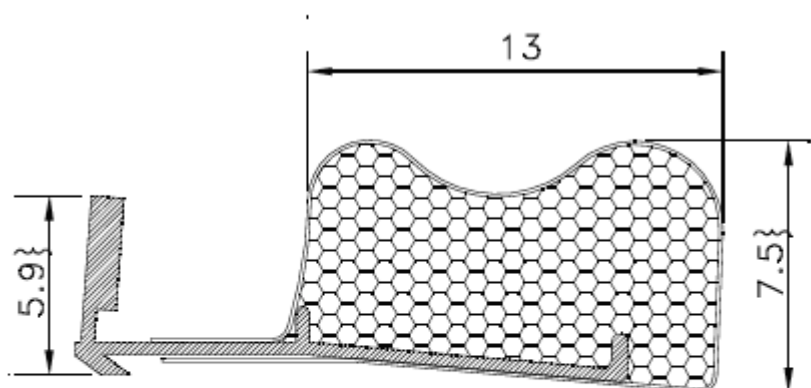
APPLICATION DETAILS



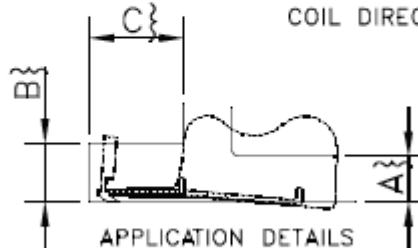
COIL DIRECTION

TECHNICAL SPECIFICATION: A, SEAL GAP 2.0mm MIN to 3.0mm MAX
 B, KERF SLOT WIDTH. 3.0mm NOMINAL
 C, MINIMUM KERF SLOT DEPTH 6.0mm

QLON™ 3053



COIL DIRECTION



APPLICATION DETAILS

TECHNICAL SPECIFICATION: A, SEAL GAP 4.5mm MIN to 7.5mm MAX
 B, KERF SLOT WIDTH. 4.5mm NOMINAL
 C, MINIMUM KERF SLOT DEPTH 7.0mm



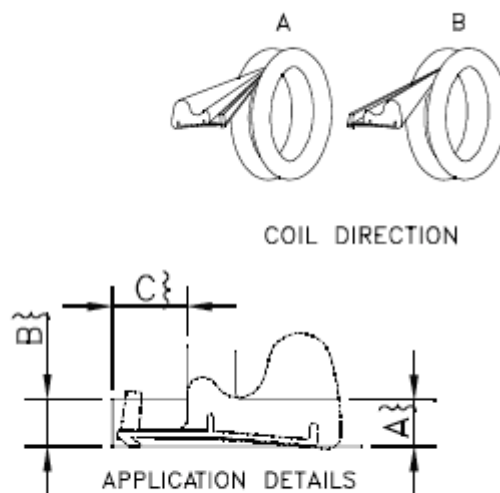
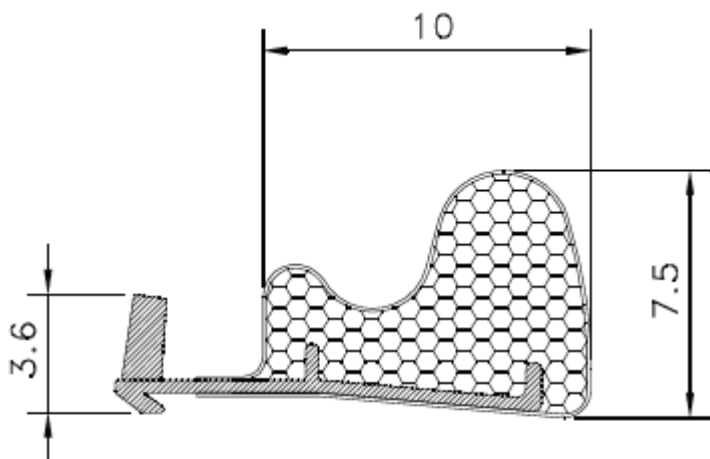
Schlegel Germany GmbH Bredowstrasse 33, 22113 Hamburg Deutschland

Tel: +49 407 33 290 Fax: +49 407 332 9219 email: schlegelde@schlegel.eu.com www.schlegel.com www.grouphomesafe.com

Schlegel UK, Henlow Industrial Estate, Henlow Camp, Bedfordshire, SG16 6DS UK

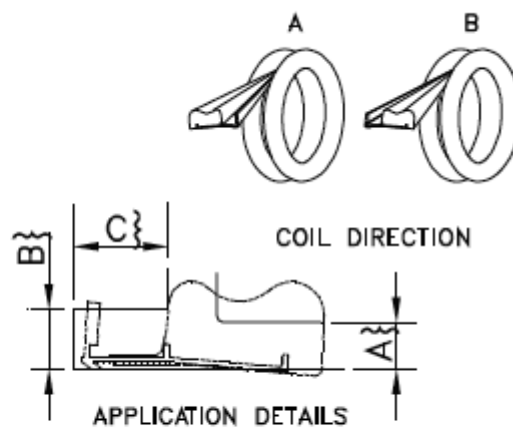
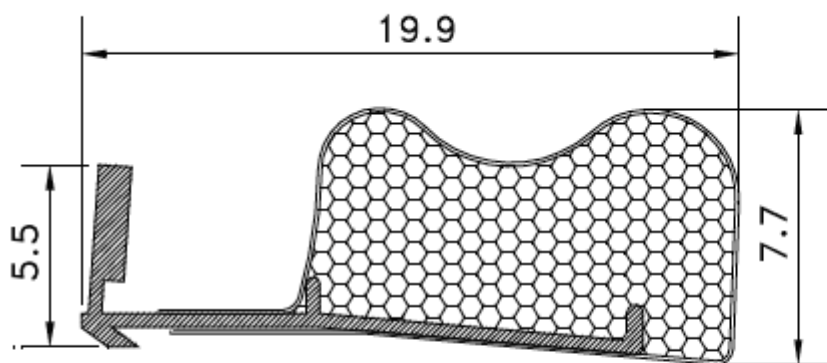
Tel: +44 1462 815500 Fax: +44 1462 811963 email: schlegeluk@schlegel.eu.com www.schlegel.com www.grouphomesafe.com

QLON™ 3054



TECHNICAL SPECIFICATION: A, SEAL GAP. 4.0mm MIN to 5.0mm MAX
 B, KERF SLOT WIDTH. 3.0mm NOMINAL
 C, MINIMUM KERF SLOT DEPTH 5.0mm

QLON™ 3060



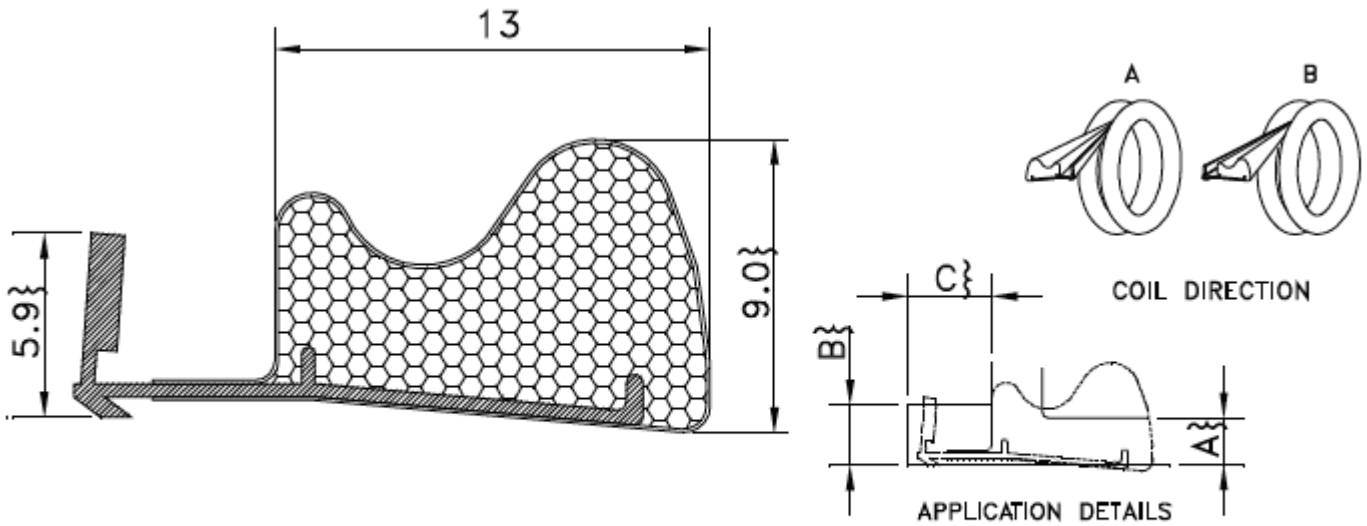
TECHNICAL SPECIFICATION: A, SEAL GAP. 4.5mm MIN to 7.5mm MAX
 B, KERF SLOT WIDTH. 5.0mm NOMINAL
 C, MINIMUM KERF SLOT DEPTH 8.0mm



Schlegel Germany GmbH Bredowstrasse 33, 22113 Hamburg Deutschland
 Tel: +49 407 33 290 Fax: +49 407 332 9219 email: schlegelde@schlegel.eu.com www.schlegel.com www.grouphomesafe.com

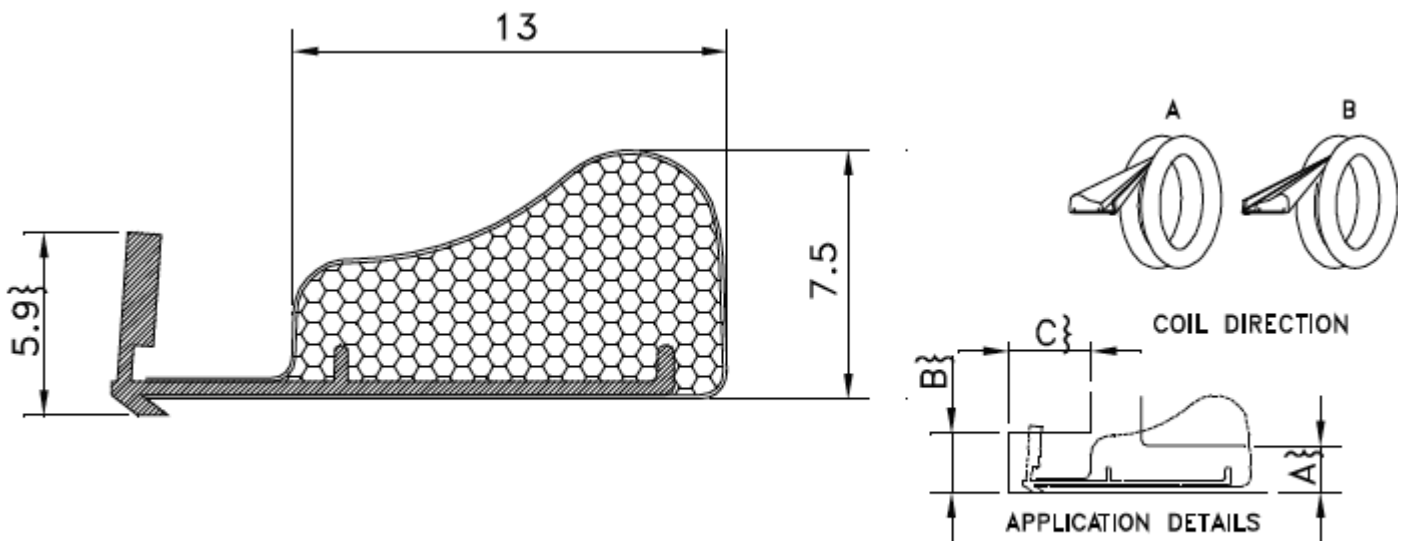
Schlegel UK, Henlow Industrial Estate, Henlow Camp, Bedfordshire, SG16 6DS UK
 Tel: +44 1462 815500 Fax: +44 1462 811963 email: schlegeluk@schlegel.eu.com www.schlegel.com www.grouphomesafe.com

QLON™ 3062



TECHNICAL SPECIFICATION: A, SEAL GAP. 4.5mm MIN to 7.5mm MAX
B, KERF SLOT WIDTH. 4.5mm NOMINAL
C, MINIMUM KERF SLOT DEPTH 7.0mm

QLON™ 3064



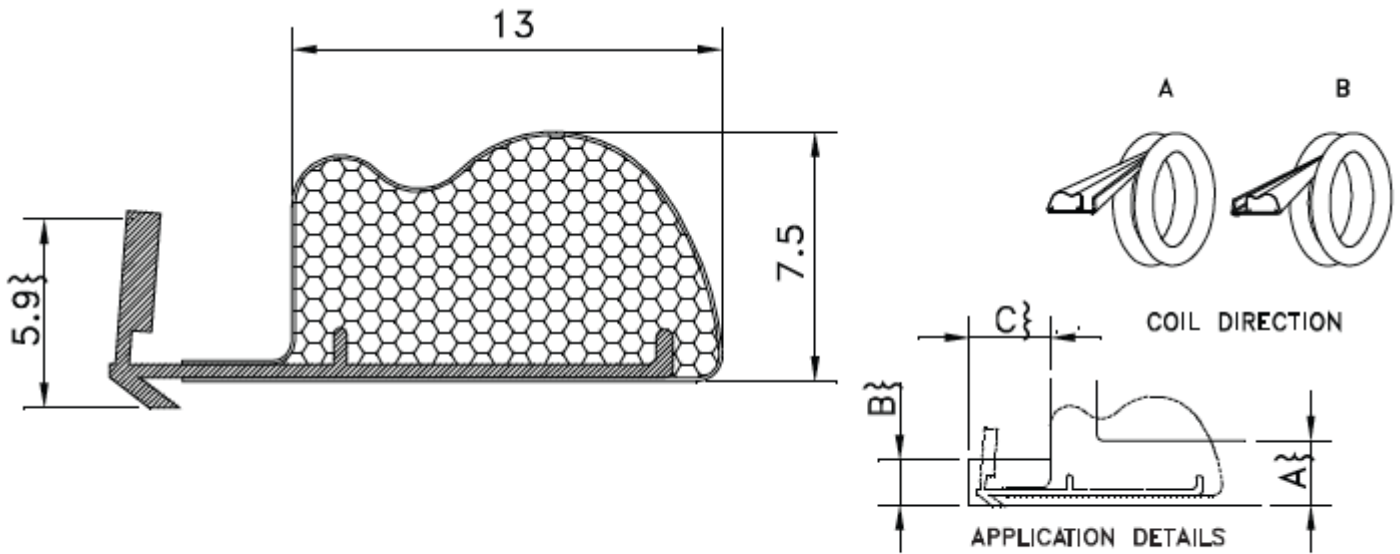
TECHNICAL SPECIFICATION: A, SEAL GAP. 3.5mm MIN to 6.0mm MAX
B, KERF SLOT WIDTH. 4.5mm NOMINAL
C, MINIMUM KERF SLOT DEPTH 7.0mm



Schlegel Germany GmbH Bredowstrasse 33, 22113 Hamburg Deutschland
Tel: +49 407 33 290 Fax: +49 407 332 9219 email: schlegelde@schlegel.eu.com www.schlegel.com www.grouphomesafe.com

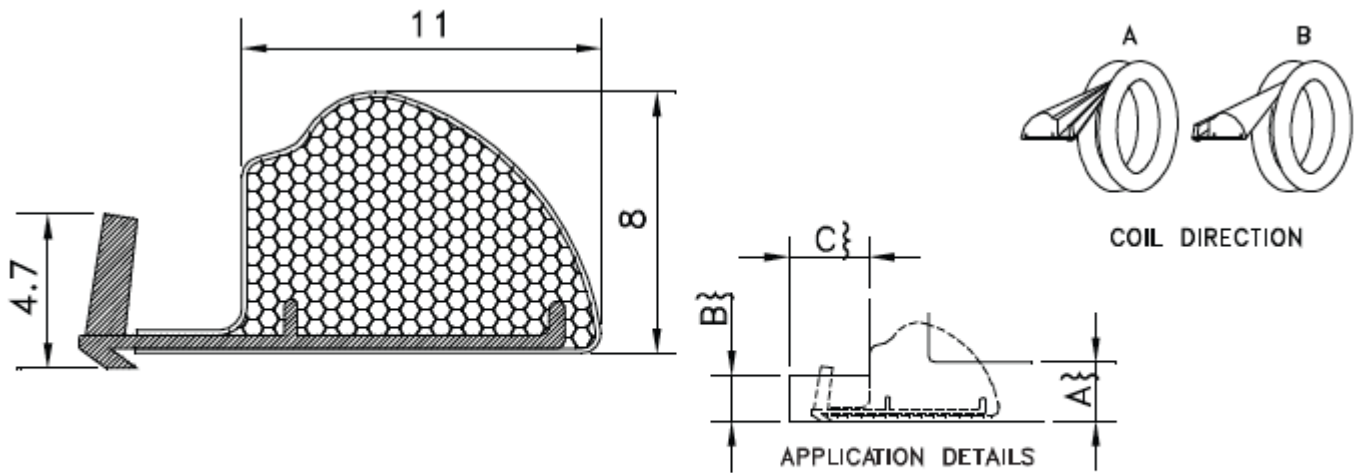
Schlegel UK, Henlow Industrial Estate, Henlow Camp, Bedfordshire, SG16 6DS UK
Tel: +44 1462 815500 Fax: +44 1462 811963 email: schlegeluk@schlegel.eu.com www.schlegel.com www.grouphomesafe.com

QLON™ 3067



TECHNICAL SPECIFICATION: A, SEAL GAP. 3.7mm MIN to 6.0mm MAX
B, KERF SLOT WIDTH. 4.5mm NOMINAL
C, MINIMUM KERF SLOT DEPTH 7.0mm

QLON™ 3068



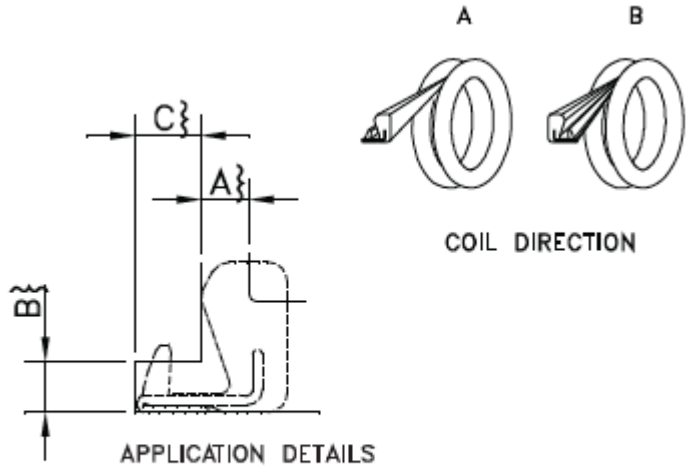
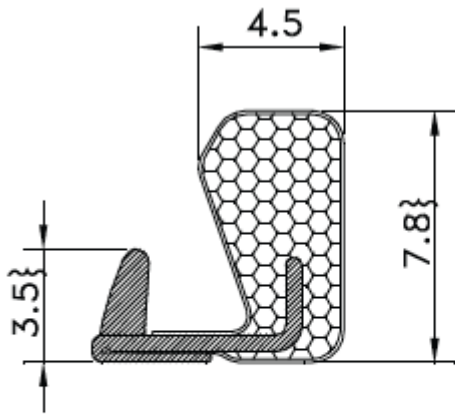
TECHNICAL SPECIFICATION: A, SEAL GAP. 5.0mm MIN to 6.0mm MAX
B, KERF SLOT WIDTH. 3.4mm NOMINAL
C, MINIMUM KERF SLOT DEPTH 6.0mm



Schlegel Germany GmbH Bredowstrasse 33, 22113 Hamburg Deutschland
Tel: +49 407 33 290 Fax: +49 407 332 9219 email: schlegelde@schlegel.eu.com www.schlegel.com www.grouphomesafe.com

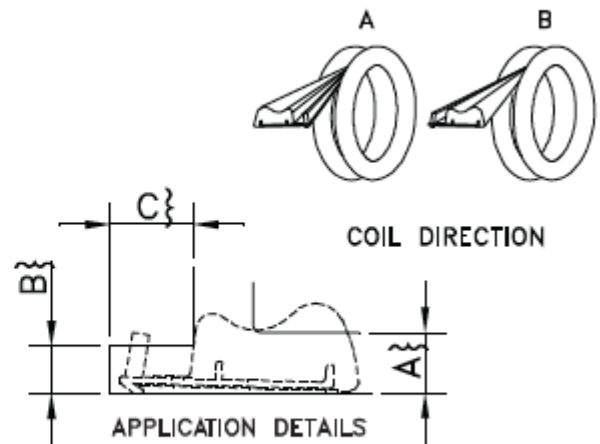
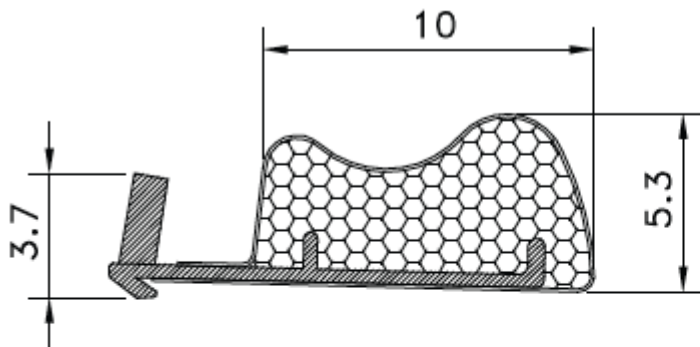
Schlegel UK, Henlow Industrial Estate, Henlow Camp, Bedfordshire, SG16 6DS UK
Tel: +44 1462 815500 Fax: +44 1462 811963 email: schlegeluk@schlegel.eu.com www.schlegel.com www.grouphomesafe.com

QLON™ 3070



TECHNICAL SPECIFICATION: A, SEAL GAP. 1.0mm MIN to 4.0mm MAX
 B, KERF SLOT WIDTH. 3.0mm NOMINAL
 C, MINIMUM KERF SLOT DEPTH 5.0mm

QLON™ 3072



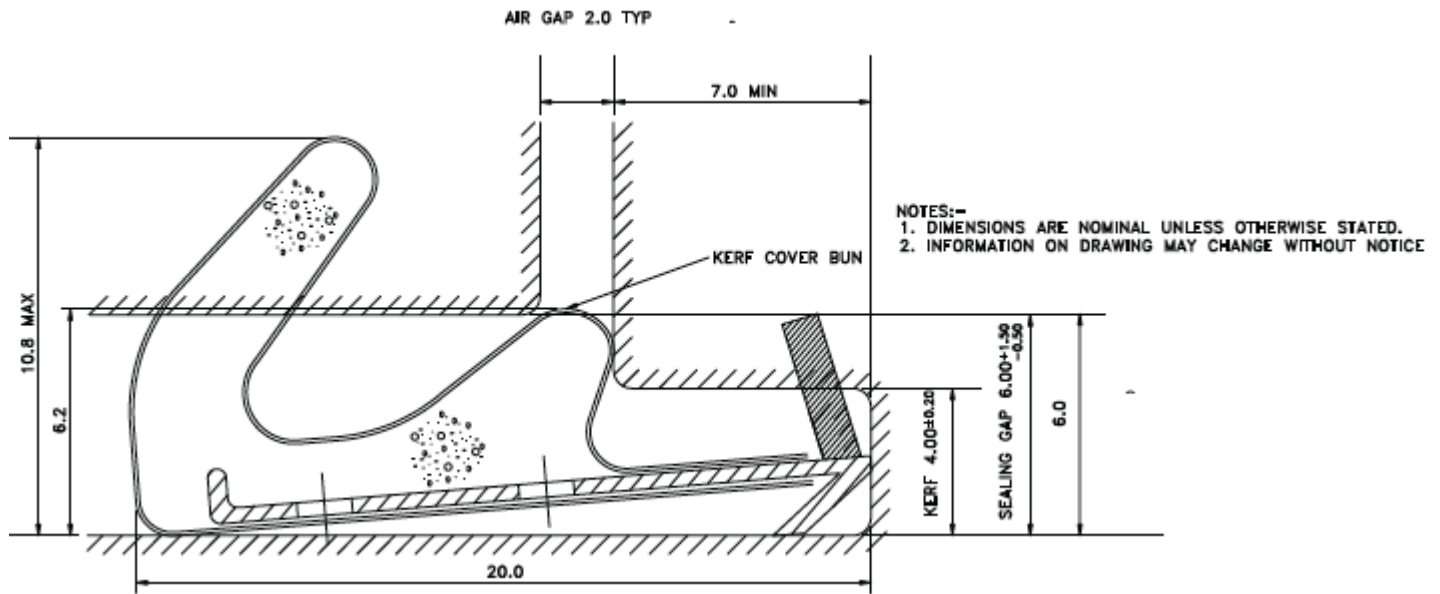
TECHNICAL SPECIFICATION: A, SEAL GAP. 2.7mm MIN to 4.3mm MAX
 B, KERF SLOT WIDTH. 3.0mm NOMINAL
 C, MINIMUM KERF SLOT DEPTH 6.0mm



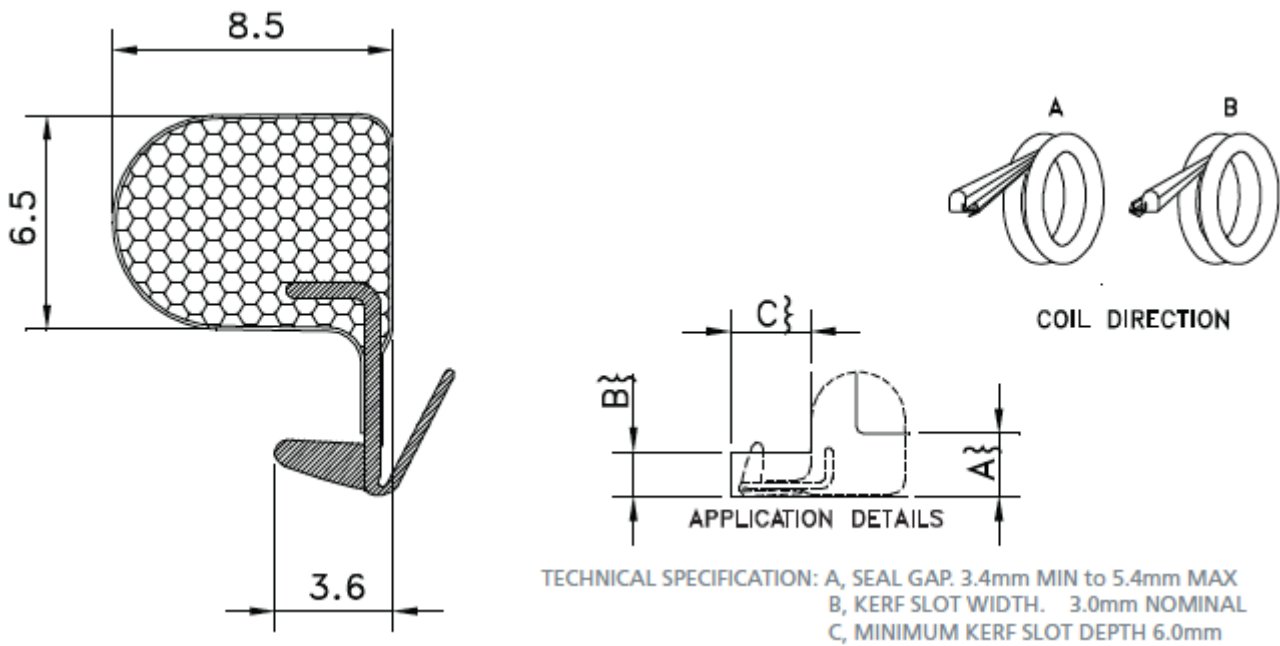
Schlegel Germany GmbH Bredowstrasse 33, 22113 Hamburg Deutschland
 Tel: +49 407 33 290 Fax: +49 407 332 9219 email: schlegelde@schlegel.eu.com www.schlegel.com www.grouphomesafe.com

Schlegel UK, Henlow Industrial Estate, Henlow Camp, Bedfordshire, SG16 6DS UK
 Tel: +44 1462 815500 Fax: +44 1462 811963 email: schlegeluk@schlegel.eu.com www.schlegel.com www.grouphomesafe.com

QLON™ 3073



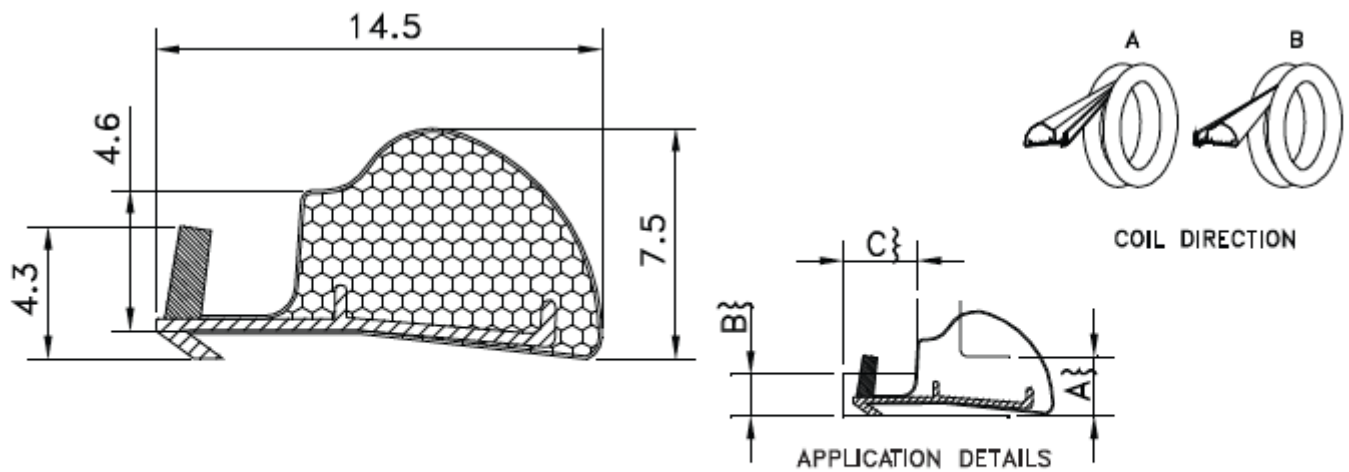
QLON™ 3074



Schlegel Germany GmbH Bredowstrasse 33, 22113 Hamburg Deutschland
Tel: +49 407 33 290 Fax: +49 407 332 9219 email: schlegelde@schlegel.eu.com www.schlegel.com www.grouphomesafe.com

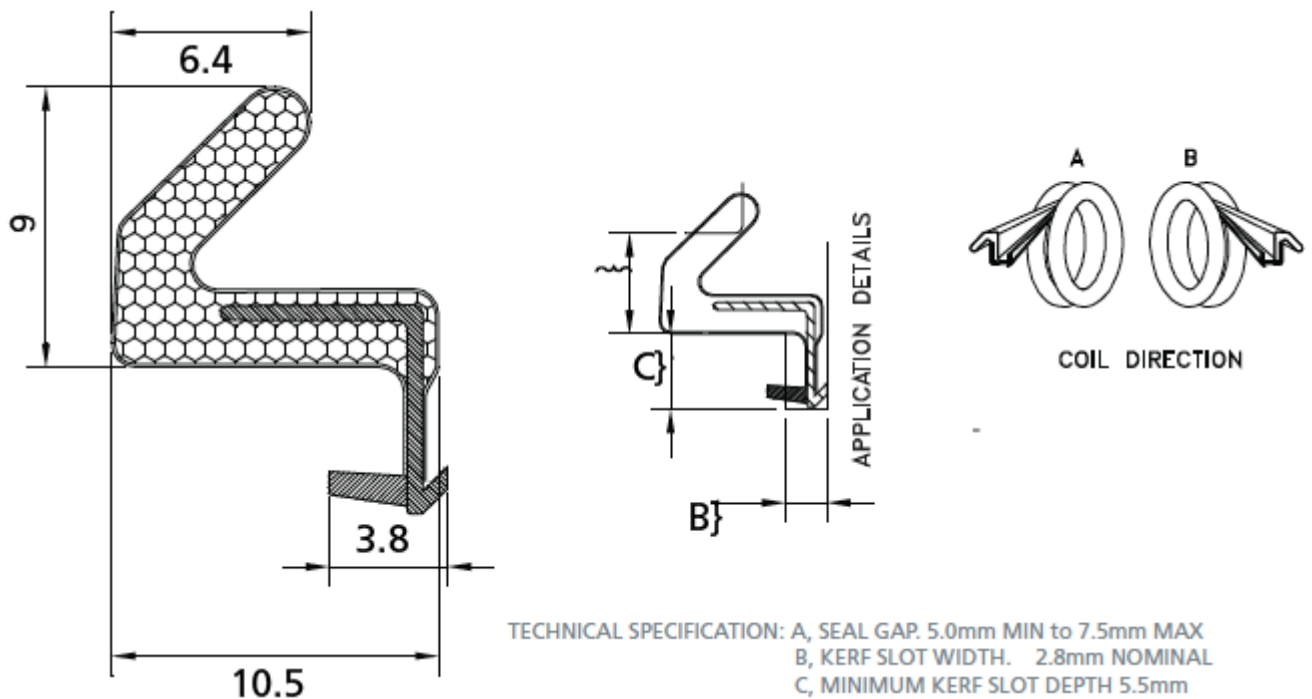
Schlegel UK, Henlow Industrial Estate, Henlow Camp, Bedfordshire, SG16 6DS UK
Tel: +44 1462 815500 Fax: +44 1462 811963 email: schlegeluk@schlegel.eu.com www.schlegel.com www.grouphomesafe.com

QLON™ 3076 (AQUAMAC 120 EXPOSED BARB)



TECHNICAL SPECIFICATION: A, SEAL GAP. 3.5mm MIN to 5.5mm MAX
 B, KERF SLOT WIDTH. 2.8mm NOMINAL
 C, MINIMUM KERF SLOT DEPTH 6.5mm

QLON™ 3078 (AQUAMAC 21 EXPOSED BARB)



TECHNICAL SPECIFICATION: A, SEAL GAP. 5.0mm MIN to 7.5mm MAX
 B, KERF SLOT WIDTH. 2.8mm NOMINAL
 C, MINIMUM KERF SLOT DEPTH 5.5mm



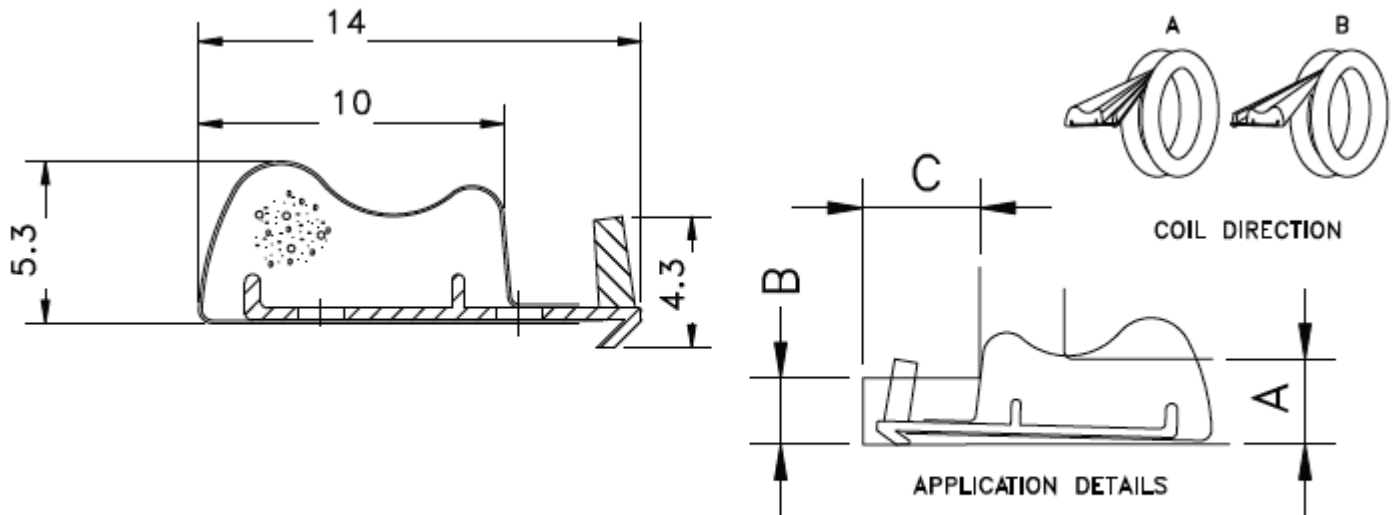
Schlegel Germany GmbH Bredowstrasse 33, 22113 Hamburg Deutschland

Tel: +49 407 33 290 Fax: +49 407 332 9219 email: schlegelde@schlegel.eu.com www.schlegel.com www.grouphomesafe.com

Schlegel UK, Henlow Industrial Estate, Henlow Camp, Bedfordshire, SG16 6DS UK

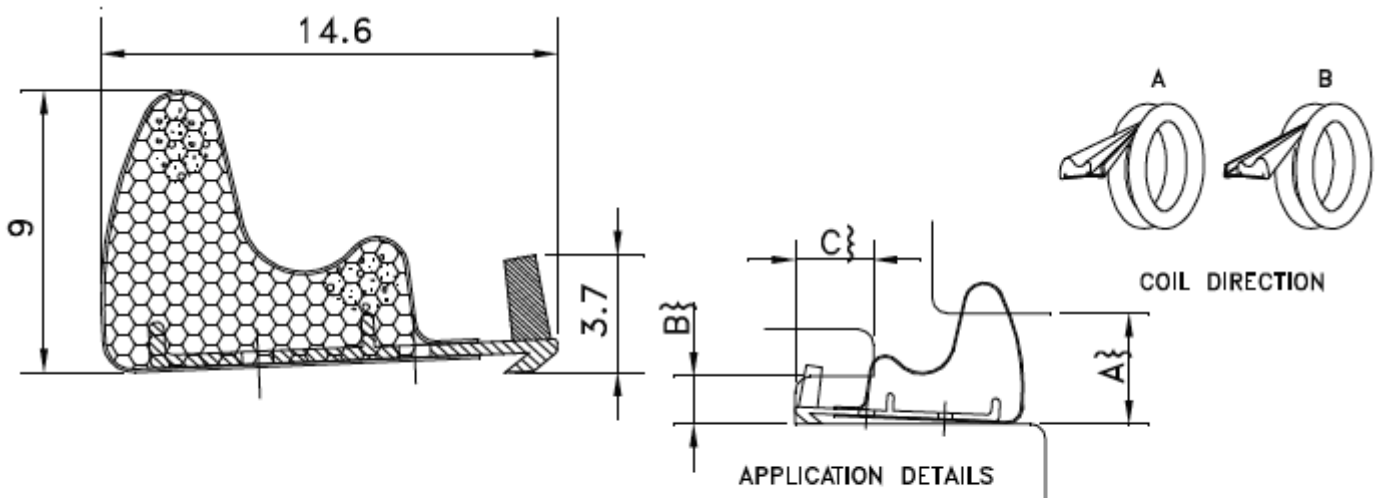
Tel: +44 1462 815500 Fax: +44 1462 811963 email: schlegeluk@schlegel.eu.com www.schlegel.com www.grouphomesafe.com

QLON™ 3079



TECHNICAL SPECIFICATION: A, SEAL GAP. 2.7mm MIN to 4.3mm MAX
 B, KERF SLOT WIDTH. 3.5mm NOMINAL
 C, MINIMUM KERF SLOT DEPTH 6.0mm

QLON™ 3090



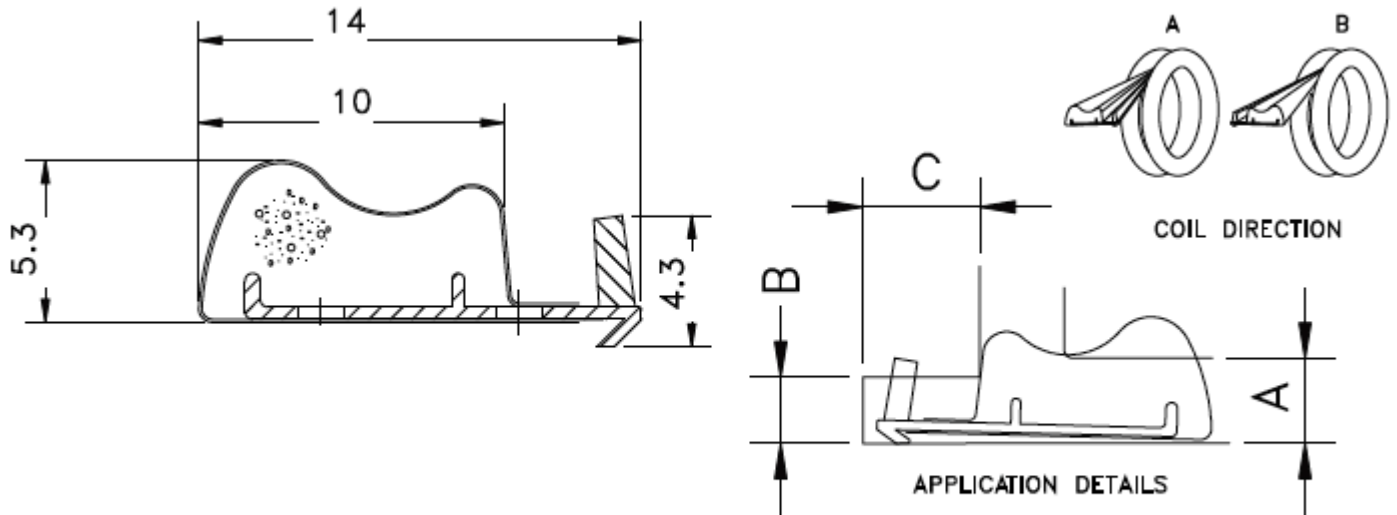
TECHNICAL SPECIFICATION: A, SEAL GAP. 4.5mm MIN to 7.5mm MAX
 B, KERF SLOT WIDTH. 3.0mm NOMINAL
 C, MINIMUM KERF SLOT DEPTH 5.5mm



Schlegel Germany GmbH Bredowstrasse 33, 22113 Hamburg Deutschland
 Tel: +49 407 33 290 Fax: +49 407 332 9219 email: schlegelde@schlegel.eu.com www.schlegel.com www.grouphomesafe.com

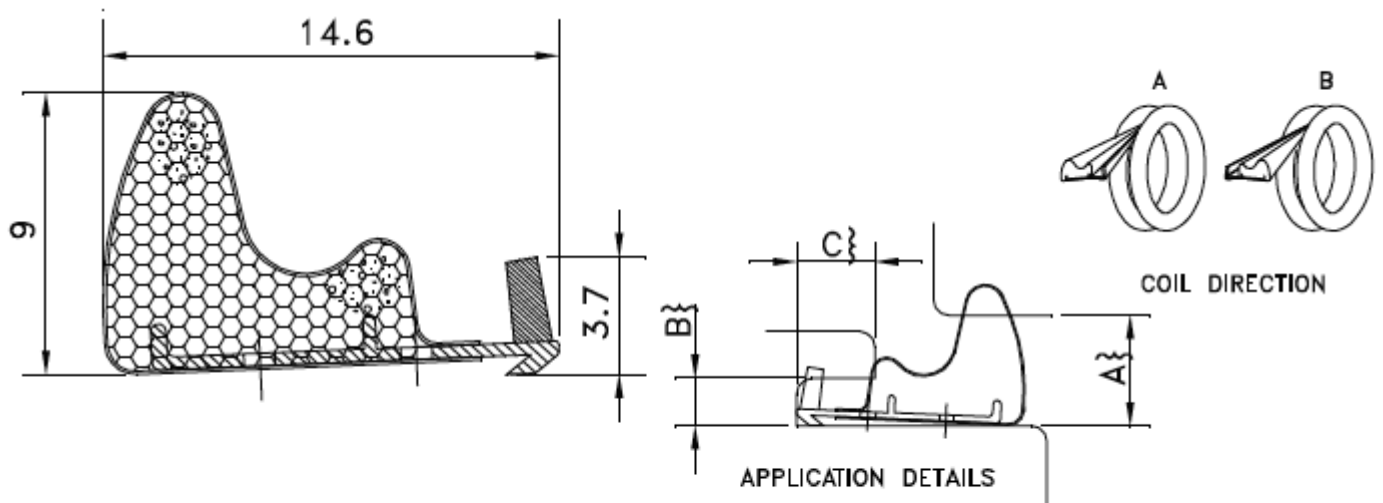
Schlegel UK, Henlow Industrial Estate, Henlow Camp, Bedfordshire, SG16 6DS UK
 Tel: +44 1462 815500 Fax: +44 1462 811963 email: schlegeluk@schlegel.eu.com www.schlegel.com www.grouphomesafe.com

QLON™ 3079



TECHNICAL SPECIFICATION: A, SEAL GAP. 2.7mm MIN to 4.3mm MAX
 B, KERF SLOT WIDTH. 3.5mm NOMINAL
 C, MINIMUM KERF SLOT DEPTH 6.0mm

QLON™ 3090



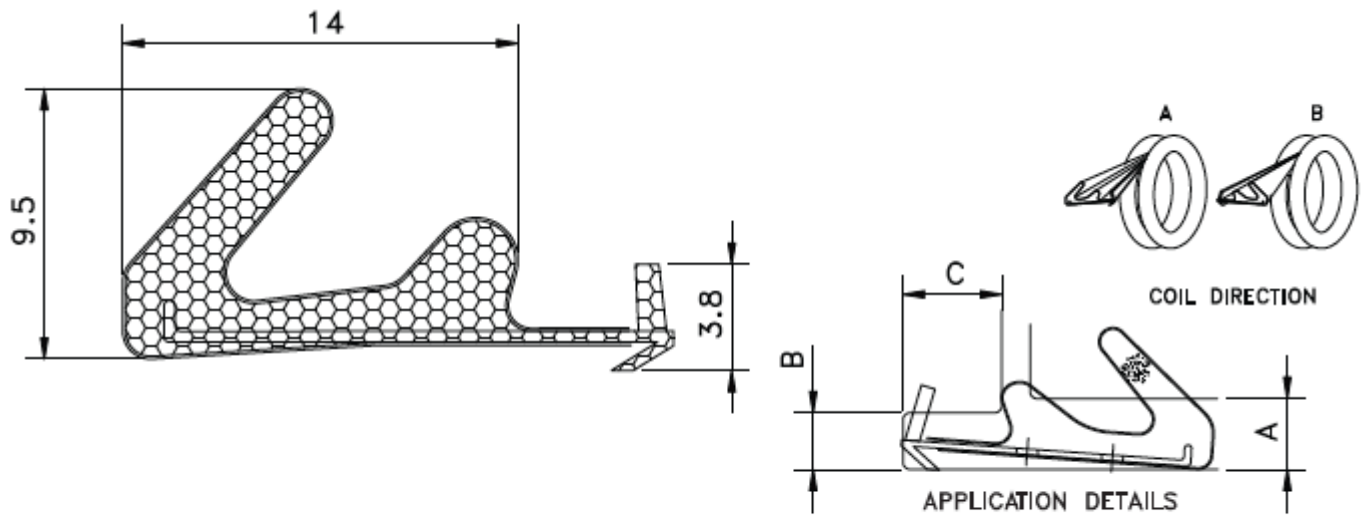
TECHNICAL SPECIFICATION: A, SEAL GAP. 4.5mm MIN to 7.5mm MAX
 B, KERF SLOT WIDTH. 3.0mm NOMINAL
 C, MINIMUM KERF SLOT DEPTH 5.5mm



Schlegel Germany GmbH Bredowstrasse 33, 22113 Hamburg Deutschland
 Tel: +49 407 33 290 Fax: +49 407 332 9219 email: schlegelde@schlegel.eu.com www.schlegel.com www.grouphomesafe.com

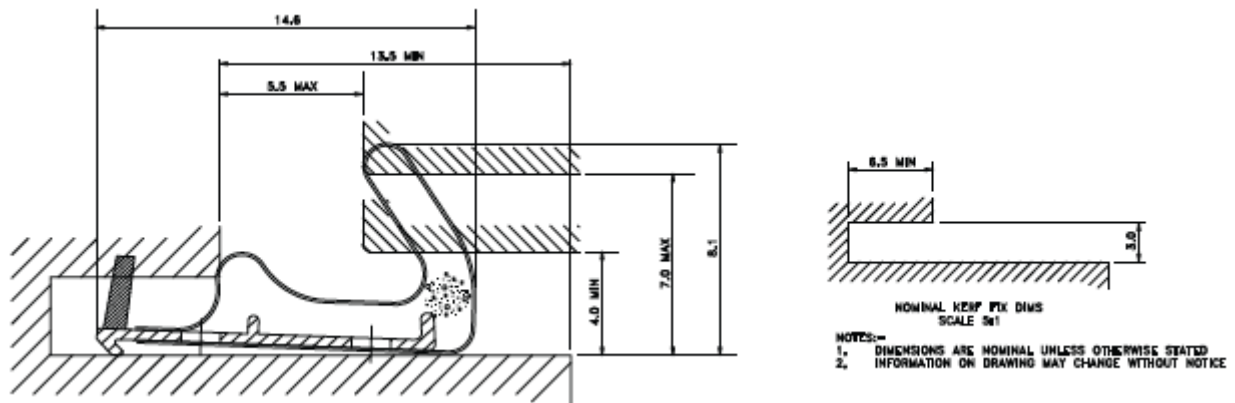
Schlegel UK, Henlow Industrial Estate, Henlow Camp, Bedfordshire, SG16 6DS UK
 Tel: +44 1462 815500 Fax: +44 1462 811963 email: schlegeluk@schlegel.eu.com www.schlegel.com www.grouphomesafe.com

QLON™ 3093



TECHNICAL SPECIFICATION: A, SEAL GAP 5.0mm MIN to 8.0mm MAX
 B, KERF SLOT WIDTH. 2.7mm NOMINAL
 C, MINIMUM KERF SLOT DEPTH 5.5mm

QLON™ 3094



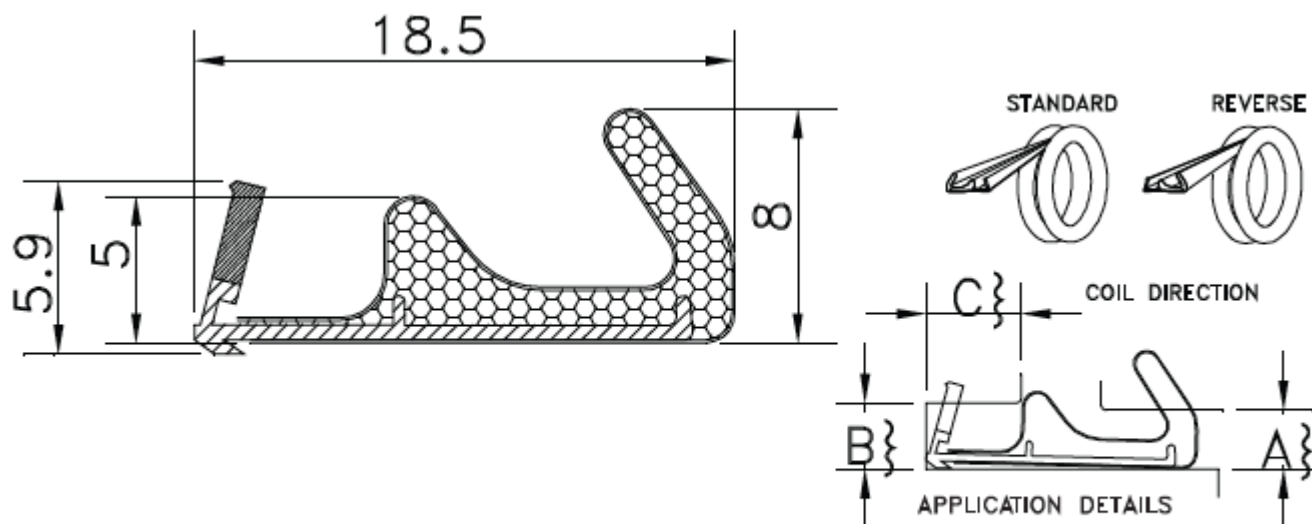
Schlegel Germany GmbH Bredowstrasse 33, 22113 Hamburg Deutschland

Tel: +49 407 33 290 Fax: +49 407 332 9219 email: schlegelde@schlegel.eu.com www.schlegel.com www.grouphomesafe.com

Schlegel UK, Henlow Industrial Estate, Henlow Camp, Bedfordshire, SG16 6DS UK

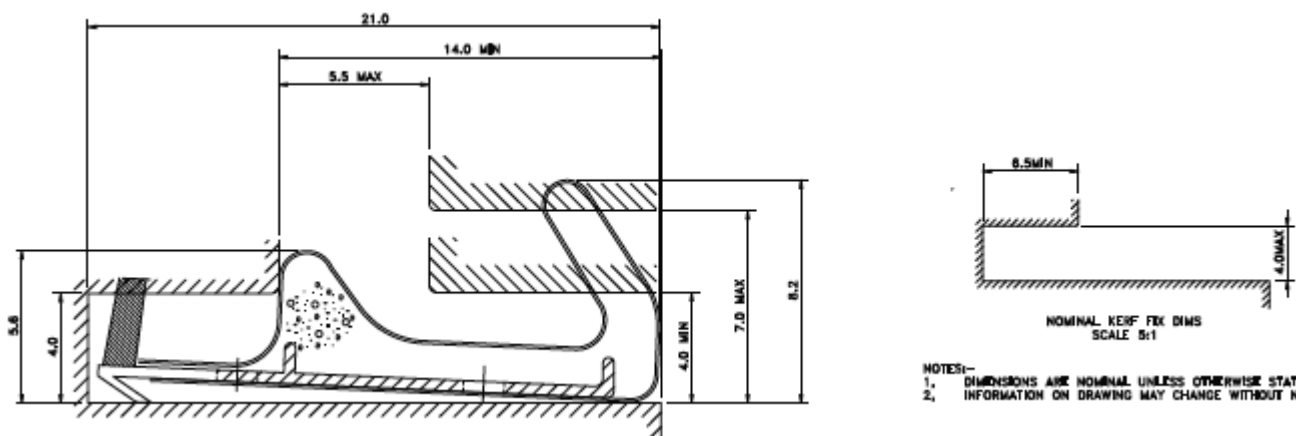
Tel: +44 1462 815500 Fax: +44 1462 811963 email: schlegeluk@schlegel.eu.com www.schlegel.com www.grouphomesafe.com

QLON™ 3096



TECHNICAL SPECIFICATION: A, SEAL GAP. 4.0mm MIN to 7.0mm MAX
 B, KERF SLOT WIDTH. 4.5mm NOMINAL
 C, MINIMUM KERF SLOT DEPTH 6.5mm

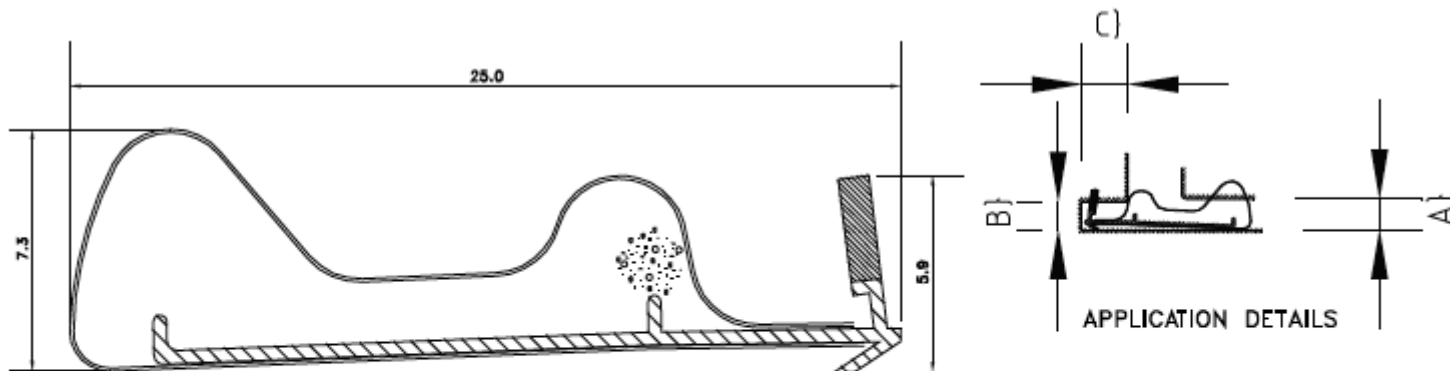
QLON™ 3098



Schlegel Germany GmbH Bredowstrasse 33, 22113 Hamburg Deutschland
 Tel: +49 407 33 290 Fax: +49 407 332 9219 email: schlegelde@schlegel.eu.com www.schlegel.com www.grouphomesafe.com

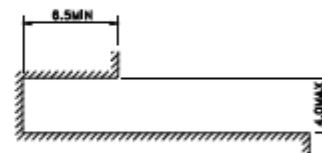
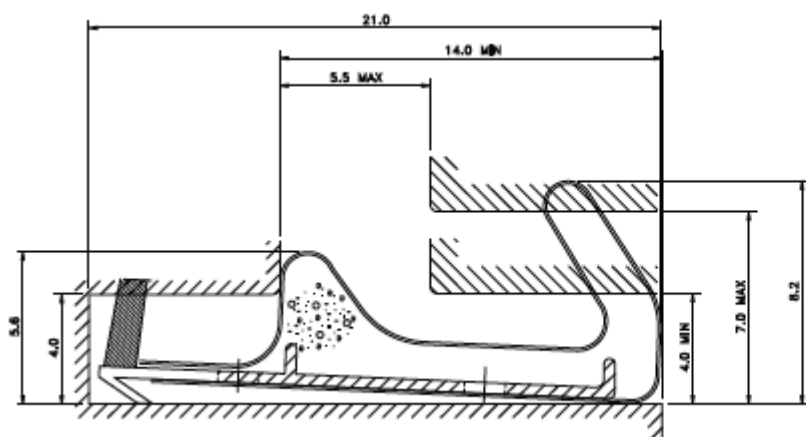
Schlegel UK, Henlow Industrial Estate, Henlow Camp, Bedfordshire, SG16 6DS UK
 Tel: +44 1462 815500 Fax: +44 1462 811963 email: schlegeluk@schlegel.eu.com www.schlegel.com www.grouphomesafe.com

QLON™ 3097



TECHNICAL SPECIFICATION: A, SEAL GAP. 3.5mm MIN to 5.5mm MAX
 B, RETENTION SLOT THROAT. 4.2mm NOMINAL
 C, MINIMUM POCKET DEPTH 7.0mm

QLON™ 3098



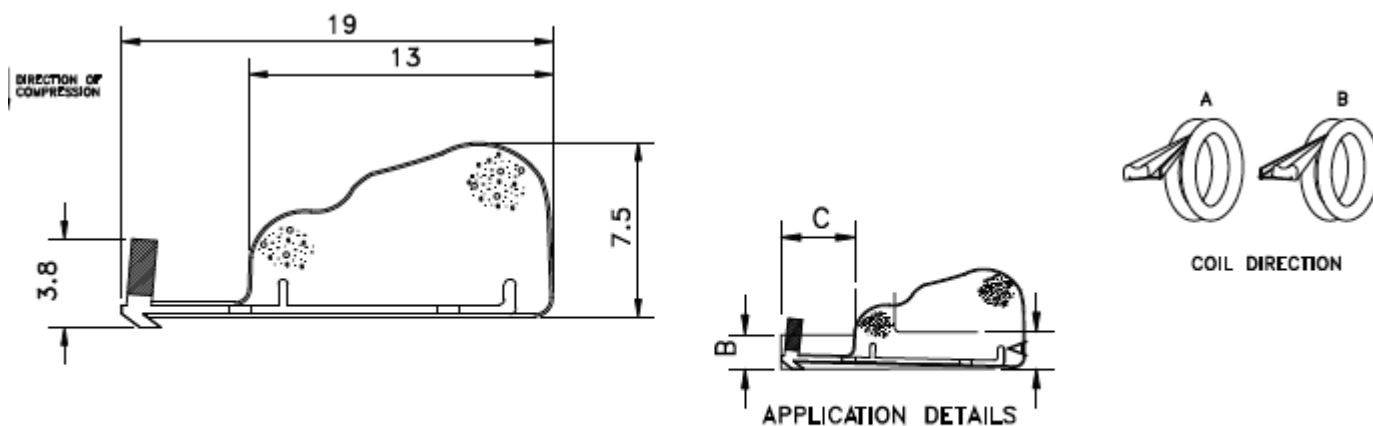
NOTES:-
 1. DIMENSIONS ARE NOMINAL UNLESS OTHERWISE STATED
 2. INFORMATION ON DRAWING MAY CHANGE WITHOUT NOTICE



Schlegel Germany GmbH Bredowstrasse 33, 22113 Hamburg Deutschland
 Tel: +49 407 33 290 Fax: +49 407 332 9219 email: schlegelde@schlegel.eu.com www.schlegel.com www.grouphomesafe.com

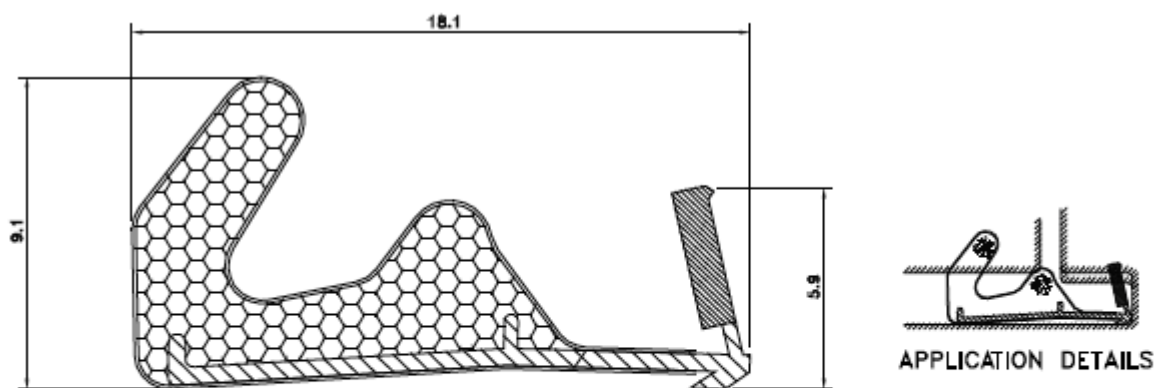
Schlegel UK, Henlow Industrial Estate, Henlow Camp, Bedfordshire, SG16 6DS UK
 Tel: +44 1462 815500 Fax: +44 1462 811963 email: schlegeluk@schlegel.eu.com www.schlegel.com www.grouphomesafe.com

QLON™ 3101



TECHNICAL SPECIFICATION: A, SEAL GAP. 4.5mm MIN to 6.5mm MAX
 B, KERF SLOT WIDTH. 3.0mm NOMINAL
 C, MINIMUM KERF SLOT DEPTH 7.0mm

QLON™ 3102



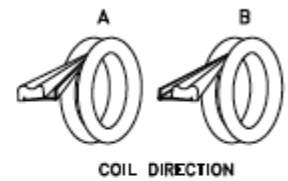
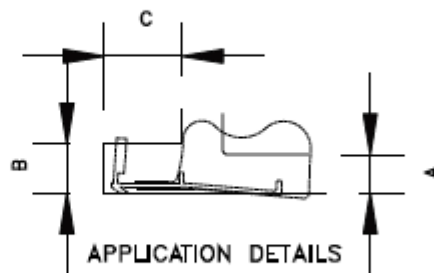
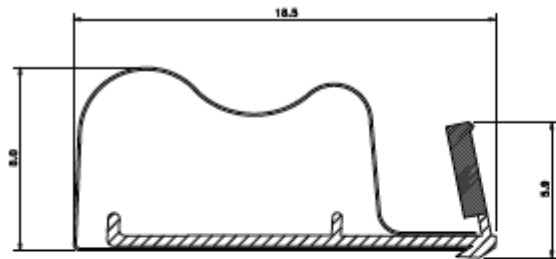
TECHNICAL SPECIFICATION: A, SEAL GAP. 4.5mm MIN to 6.5mm MAX
 B, KERF SLOT THROAT. 4.0mm NOMINAL
 C, MINIMUM POCKET DEPTH 7.0mm



Schlegel Germany GmbH Bredowstrasse 33, 22113 Hamburg Deutschland
 Tel: +49 407 33 290 Fax: +49 407 332 9219 email: schlegelde@schlegel.eu.com www.schlegel.com www.grouphomesafe.com

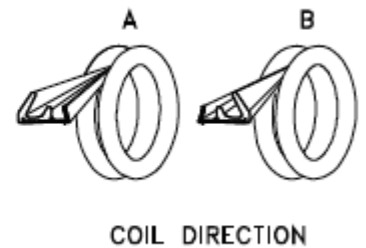
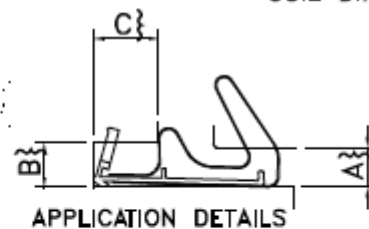
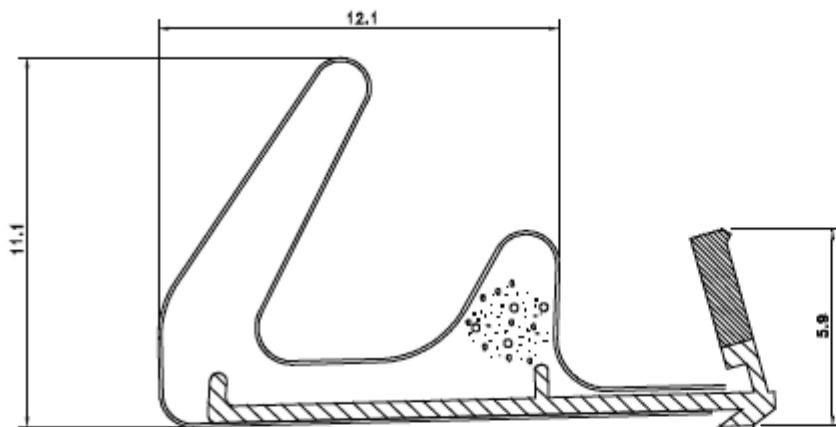
Schlegel UK, Henlow Industrial Estate, Henlow Camp, Bedfordshire, SG16 6DS UK
 Tel: +44 1462 815500 Fax: +44 1462 811963 email: schlegeluk@schlegel.eu.com www.schlegel.com www.grouphomesafe.com

QLON™ 3103



TECHNICAL SPECIFICATION: A, SEAL GAP. 4.5mm MIN to 7.5mm MAX
 B, KERF SLOT WIDTH. 4.5mm NOMINAL
 C, MINIMUM KERF SLOT DEPTH 7.0mm

QLON™ 3104



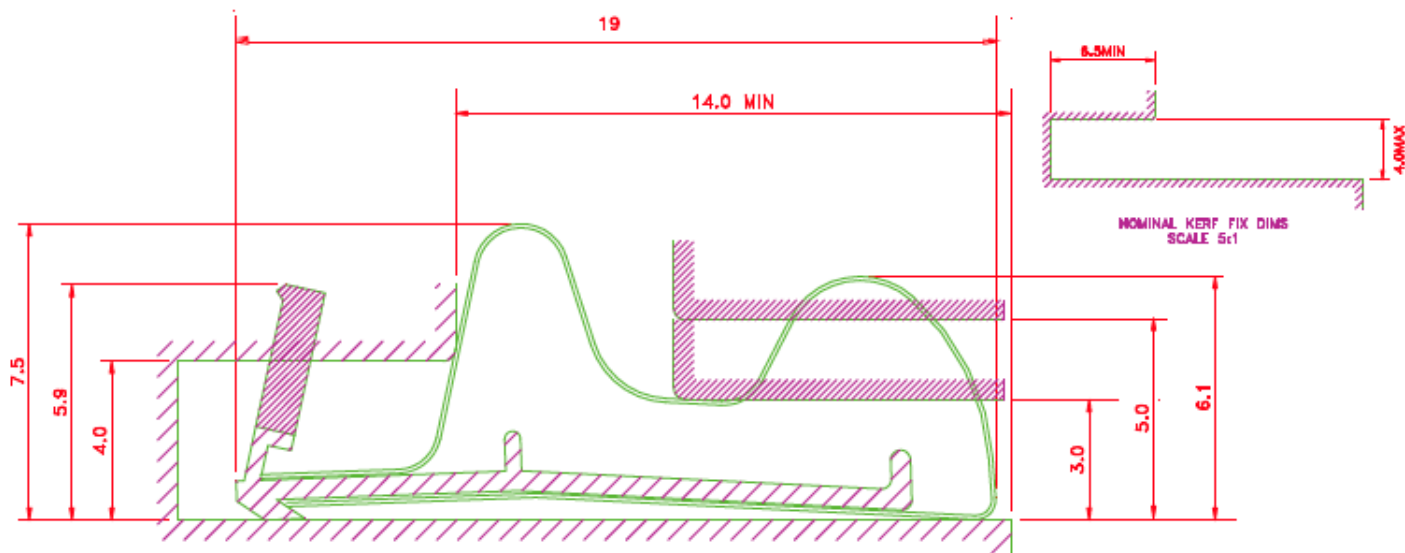
TECHNICAL SPECIFICATION: A, SEAL GAP. 5.0mm MIN to 10.0mm MAX
 B, KERF SLOT THROAT. 4.5mm NOMINAL
 C, MINIMUM POCKET DEPTH 7.5mm



Schlegel Germany GmbH Bredowstrasse 33, 22113 Hamburg Deutschland
 Tel: +49 407 33 290 Fax: +49 407 332 9219 email: schlegelde@schlegel.eu.com www.schlegel.com www.grouphomesafe.com

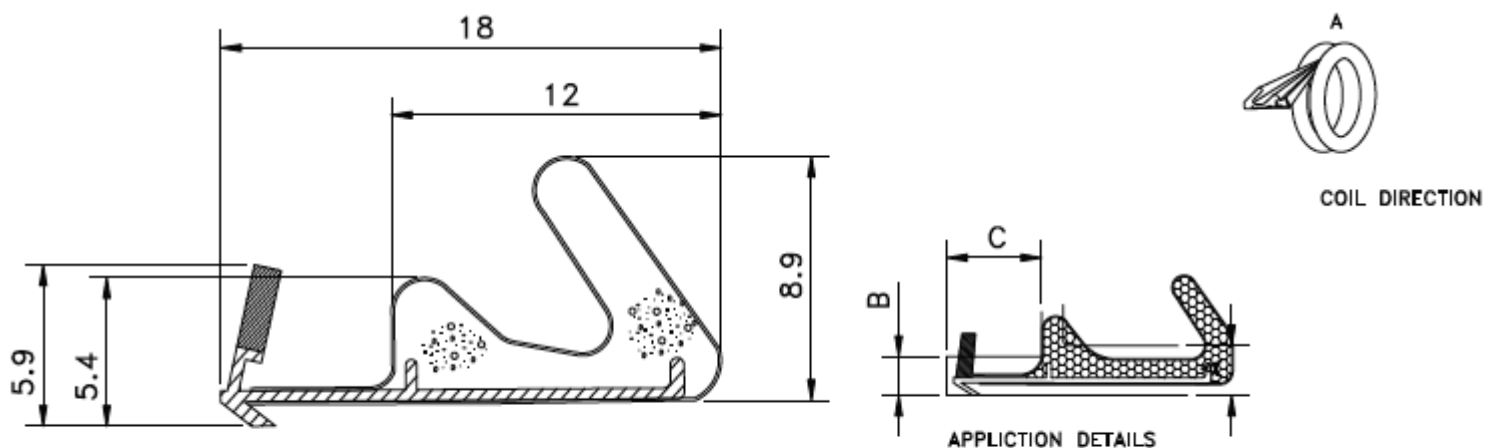
Schlegel UK, Henlow Industrial Estate, Henlow Camp, Bedfordshire, SG16 6DS UK
 Tel: +44 1462 815500 Fax: +44 1462 811963 email: schlegeluk@schlegel.eu.com www.schlegel.com www.grouphomesafe.com

QLON™ 3111



NOTES:-
 1. DIMENSIONS ARE NOMINAL UNLESS OTHERWISE STATED
 2. INFORMATION ON DRAWING MAY CHANGE WITHOUT NOTICE

QLON™ 3120



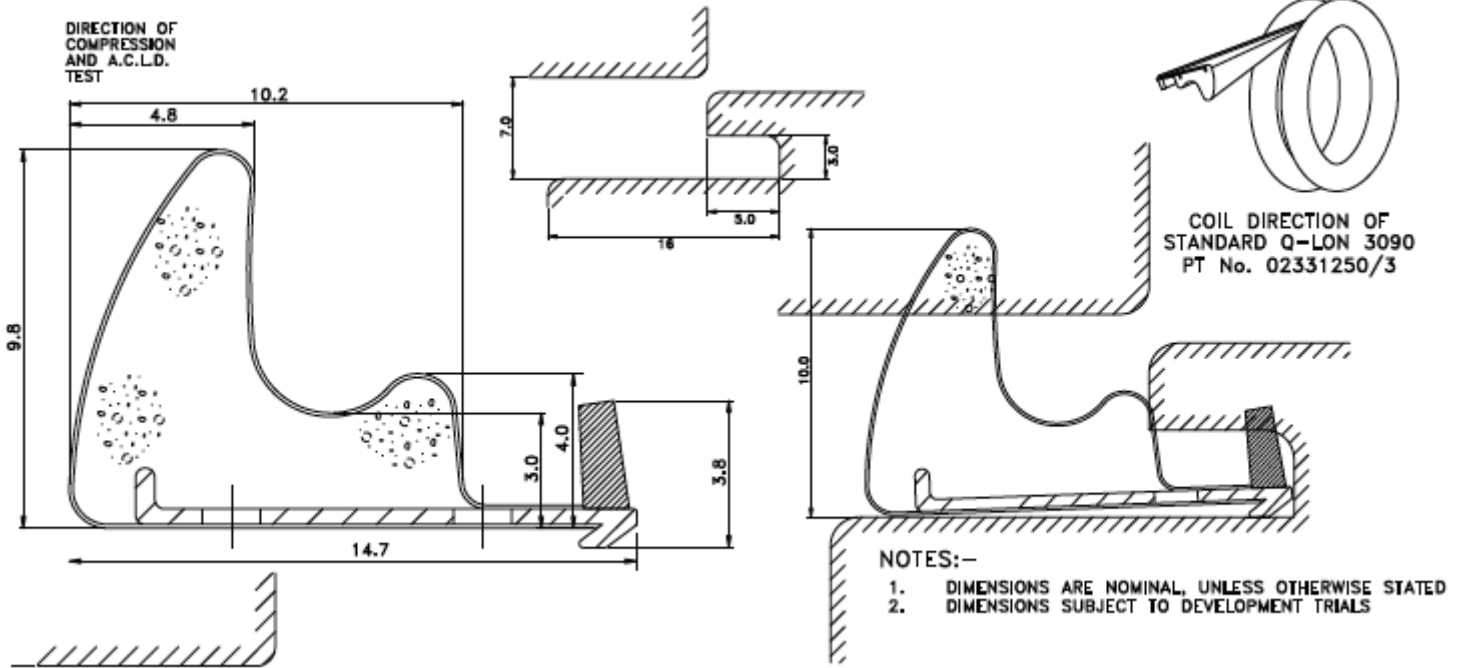
TECHNICAL SPECIFICATION: A, SEAL GAP. 3.0mm MIN to 7.0mm MAX
 B, KERF SLOT WIDTH. 3.8mm NOMINAL
 C, MINIMUM KERF SLOT DEPTH 7.0mm



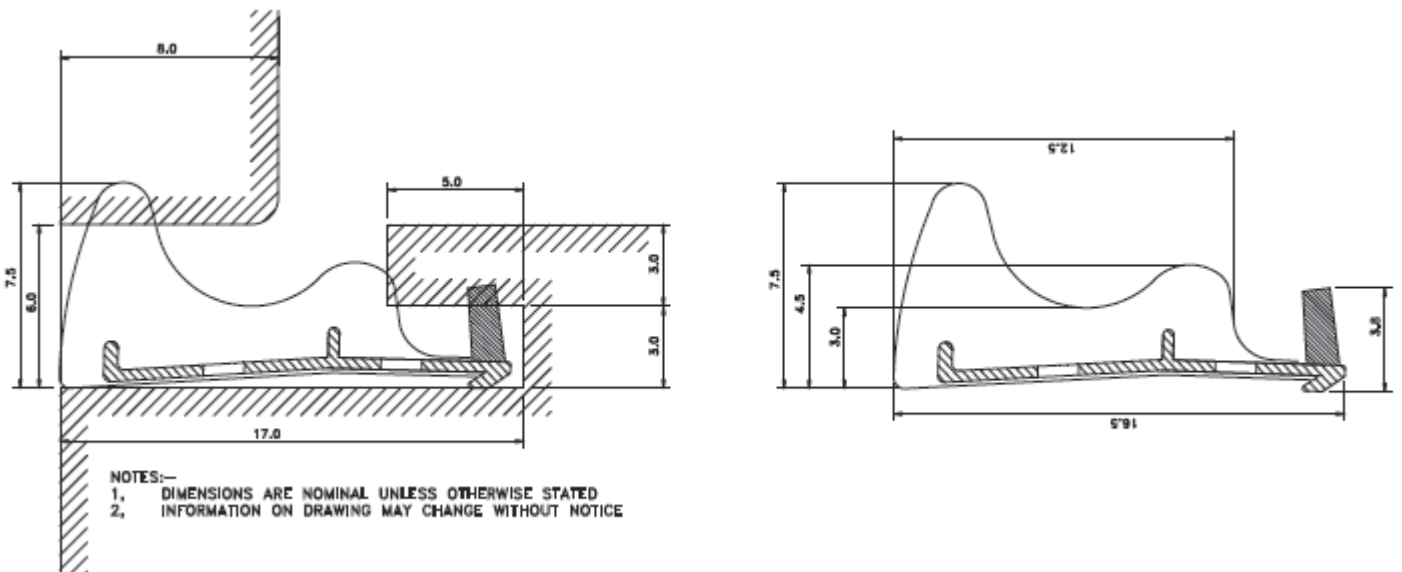
Schlegel Germany GmbH Bredowstrasse 33, 22113 Hamburg Deutschland
 Tel: +49 407 33 290 Fax: +49 407 332 9219 email: schlegelde@schlegel.eu.com www.schlegel.com www.grouphomesafe.com

Schlegel UK, Henlow Industrial Estate, Henlow Camp, Bedfordshire, SG16 6DS UK
 Tel: +44 1462 815500 Fax: +44 1462 811963 email: schlegeluk@schlegel.eu.com www.schlegel.com www.grouphomesafe.com

QLON™ 3125



QLON™ 3130



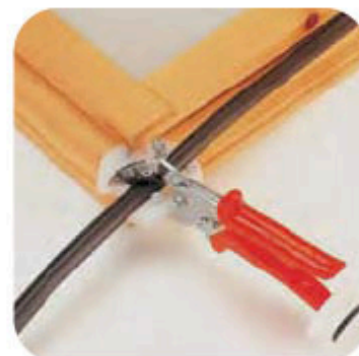
Schlegel Germany GmbH Bredowstrasse 33, 22113 Hamburg Deutschland

Tel: +49 407 33 290 Fax: +49 407 332 9219 email: schlegelde@schlegel.eu.com www.schlegel.com www.grouphomesafe.com

Schlegel UK, Henlow Industrial Estate, Henlow Camp, Bedfordshire, SG16 6DS UK

Tel: +44 1462 815500 Fax: +44 1462 811963 email: schlegeluk@schlegel.eu.com www.schlegel.com www.grouphomesafe.com

QLON™ and AQUAMAC™ the ultimate weatherseal



Schlegel can offer a range of tools to aid in the use of their weatherseal range. These include:

- Weatherseal pay-offs
- Insertion rollers
- Mitre cutters



Schlegel Germany GmbH Bredowstrasse 33, 22113 Hamburg Deutschland
Tel: +49 407 33 290 Fax: +49 407 332 9219 email: schlegelde@schlegel.eu.com www.schlegel.com www.grouphomesafe.com

Schlegel UK, Henlow Industrial Estate, Henlow Camp, Bedfordshire, SG16 6DS UK
Tel: +44 1462 815500 Fax: +44 1462 811963 email: schlegeluk@schlegel.eu.com www.schlegel.com www.grouphomesafe.com

WEATHERSEAL RANGE COLOUR CHART



BRONZE (RAL 8017)



WHITE (RAL 9003)



BLACK (RAL 9005)



DARK GREY
(M5 EMBOSS ONLY RAL 7002)



BEIGE (RAL 1001)



LIGHT OAK (RAL 8003)



LIGHT GREY (RAL 7035)



SILVER GREY (RAL 7001)



OCHRE BROWN (RAL 8001)



CHESTNUT BROWN (RAL 8015)



GRAPHITE GREY (RAL 7024)



FAWN BROWN (RAL 8007)



PURE WHITE (RAL 9010)

- This chart is a 'rough' guide only not to be used as an exact representation of the finished colour
- Options available



Schlegel Germany GmbH Bredowstrasse 33, 22113 Hamburg Deutschland
Tel: +49 407 33 290 Fax: +49 407 332 9219 email: schlegelde@schlegel.eu.com www.schlegel.com www.grouphomesafe.com

Schlegel UK, Henlow Industrial Estate, Henlow Camp, Bedfordshire, SG16 6DS UK
Tel: +44 1462 815500 Fax: +44 1462 811963 email: schlegeluk@schlegel.eu.com www.schlegel.com www.grouphomesafe.com