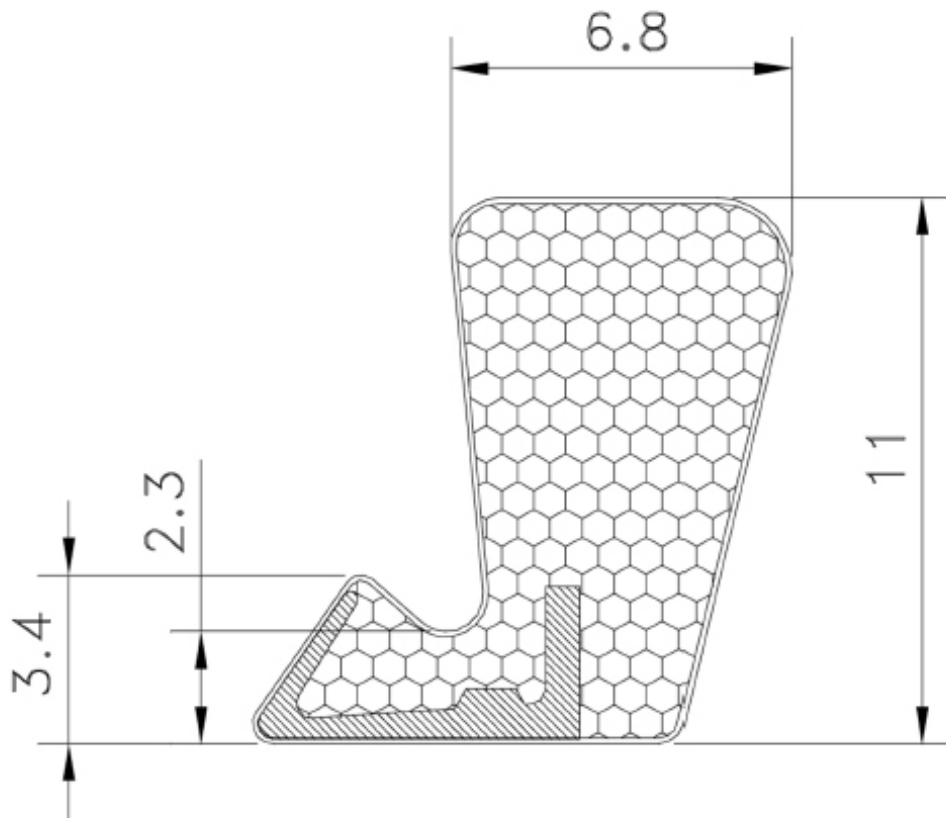




Foam Seals

[TIMBER SLIDING WINDOWS]

Qlon - Aquamac



Schlegel Germany GmbH Bredowstrasse 33, 22113 Hamburg Deutschland
Tel: +49 407 33 290 Fax: +49 407 332 9219 email: schlegelde@schlegel.eu.com www.schlegel.com www.grouphomesafe.com

Schlegel UK, Henlow Industrial Estate, Henlow Camp, Bedfordshire, SG16 6DS UK
Tel: +44 1462 815500 Fax: +44 1462 811963 email: schlegeluk@schlegel.eu.com www.schlegel.com www.grouphomesafe.com

AQUAMAC™ and QLON™ the ultimate weatherseal

With over 50 years of global experience in the design and manufacture of outstanding window and door products, it is little wonder that Schlegel has become the industry's first choice for not only weatherseal products, but locking and security systems, handles and hardware.

The Unique Aquamac and QLON weatherseal has been developed in consultation with our customers to offer the widest range of seals possible for aluminium windows and doors. The unique design has made Aquamac and QLON impervious to paint and stain, while still providing some of the best energy saving performance characteristics currently available.

Backed by our lifetime guarantee, Aquamac and QLON will never let you or your customer down, making it a highly cost effective way of offering continuous high standards of weathersealing, year after year.

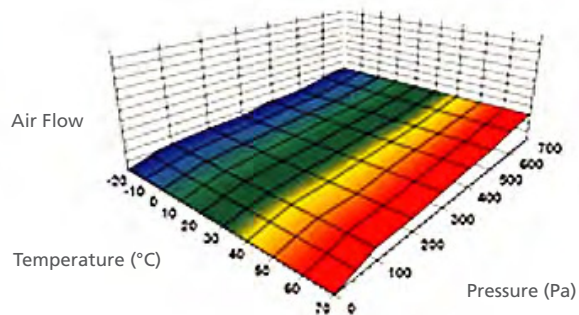


Window performance using EPDM flipper seal

OUTSTANDING ENERGY EFFICIENCY

Specially designed to meet the different demands of aluminium windows and doors, Aquamac and QLON maintains consistently high standards of energy efficiency, often exceeding any long-term window performance guarantees.

- Exceptional performance maintained over a wide temperature range. Doesn't shrink or stretch, even in extreme climatic conditions.
- Excellent memory - retains its original shape year after year to maintain a consistently high standard or weatherseal.
- Kerf tolerances have been increased and are more forgiving of your manufacturing process -2.7mm ± 0.3mm.
- Compensates for window movement.
- Lower insertion forces speed up fitting by 15%



Window performance using Schlegel Aquamac and Qlon

The graph shows the weather performance against competitor gaskets and demonstrates that Aquamac and Qlon provides less air leakage over a wide temperature range when compared to our competitors.



Schlegel Germany GmbH, Bredowstrasse 33, 22113 Hamburg, Deutschland

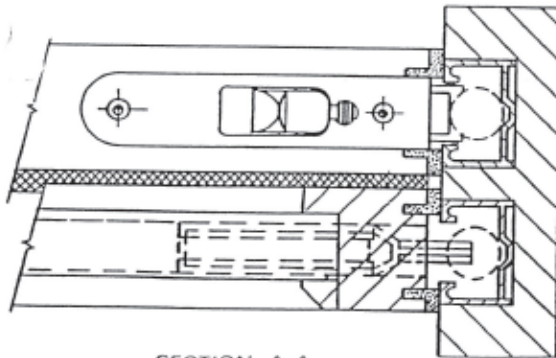
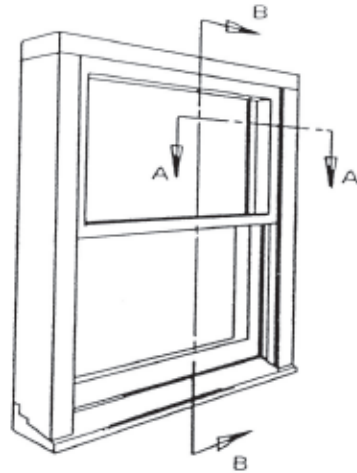
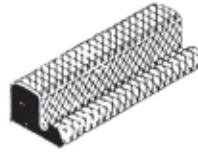
Tel: +49 407 33 290 Fax: +49 407 332 9219 email: schlegelde@schlegel.eu.com www.schlegel.com www.grouphomesafe.com

Schlegel UK, Henlow Industrial Estate, Henlow Camp, Bedfordshire, SG16 6DS UK

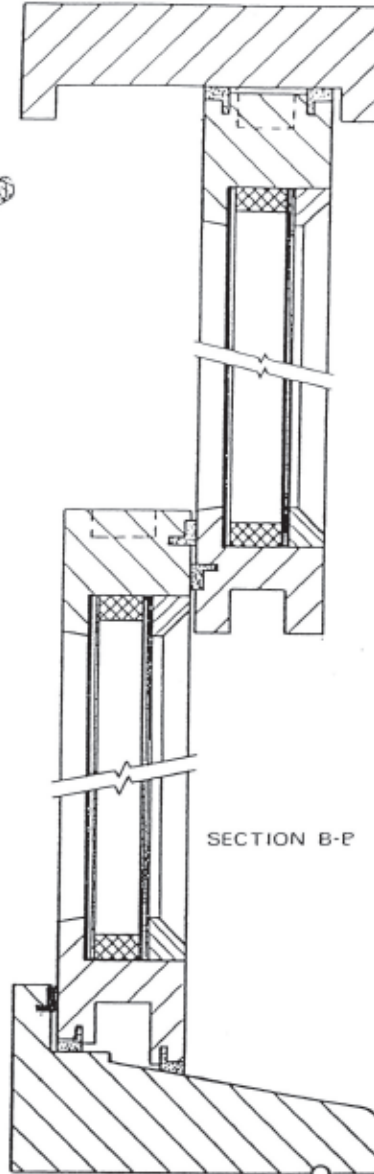
Tel: +44 1462 815500 Fax: +44 1462 811963 email: schlegeluk@schlegel.eu.com www.schlegel.com www.grouphomesafe.com

AQUAMACT™ 63

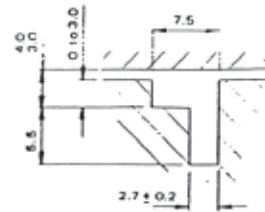
FOR HIGH PERFORMANCE



SECTION A-A



SECTION B-B



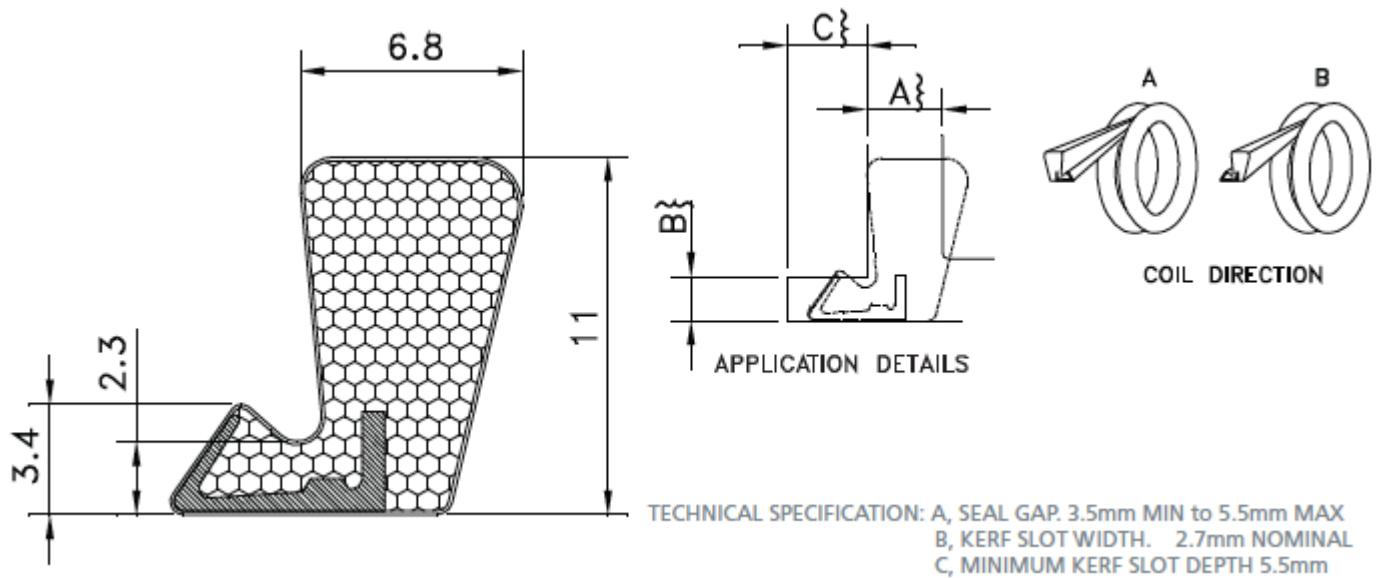
SAWKERF DETAIL



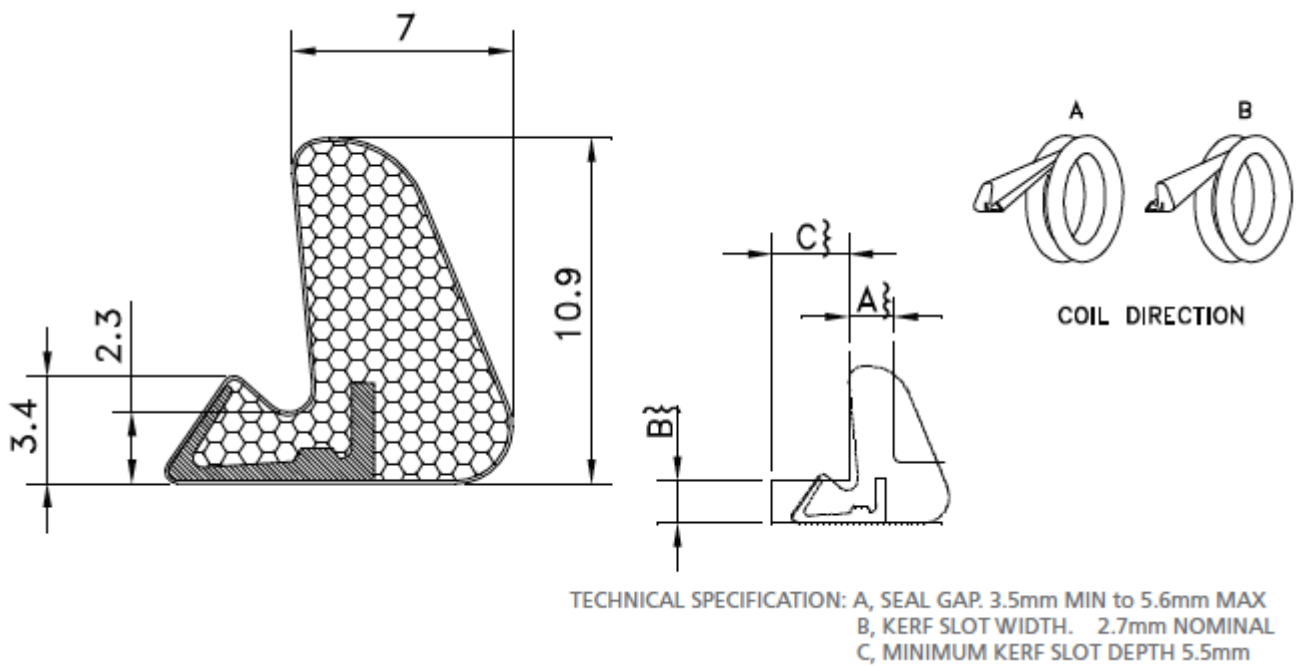
Schlegel Germany GmbH, Bredowstrasse 33, 22113 Hamburg, Deutschland
Tel: +49 407 33 290 Fax: +49 407 332 9219 email: schlegelde@schlegel.eu.com www.schlegel.com www.grouphomesafe.com

Schlegel UK, Henlow Industrial Estate, Henlow Camp, Bedfordshire, SG16 6DS UK
Tel: +44 1462 815500 Fax: +44 1462 811963 email: schlegeluk@schlegel.eu.com www.schlegel.com www.grouphomesafe.com

AQUAMAC™ 109



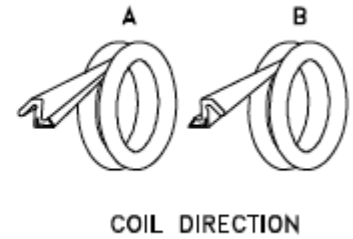
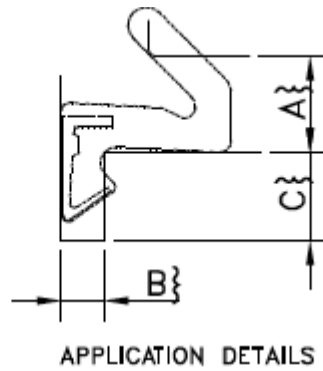
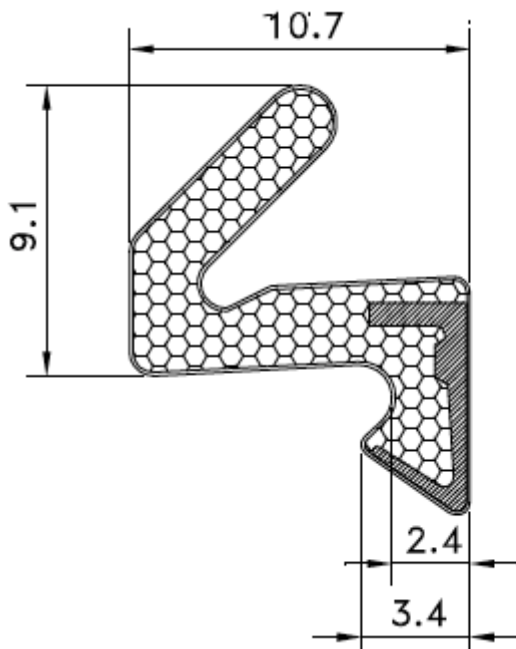
AQUAMAC™ 4846



Schlegel Germany GmbH, Bredowstrasse 33, 22113 Hamburg, Deutschland
 Tel: +49 407 33 290 Fax: +49 407 332 9219 email: schlegelde@schlegel.eu.com www.schlegel.com www.grouphomesafe.com

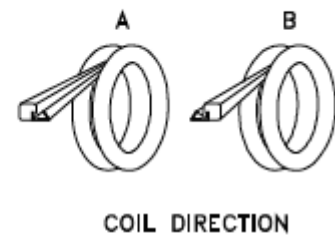
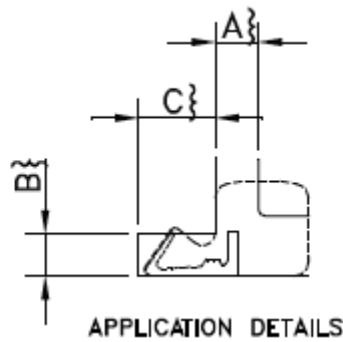
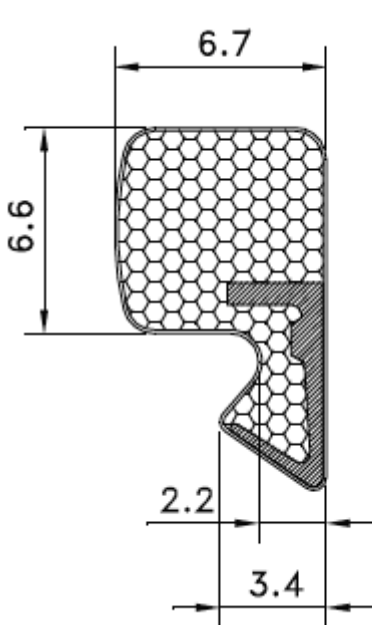
Schlegel UK, Henlow Industrial Estate, Henlow Camp, Bedfordshire, SG16 6DS UK
 Tel: +44 1462 815500 Fax: +44 1462 811963 email: schlegeluk@schlegel.eu.com www.schlegel.com www.grouphomesafe.com

AQUAMAC™ 21



TECHNICAL SPECIFICATION: A, SEAL GAP: 5.0mm MIN to 7.5mm MAX
 B, KERF SLOT WIDTH: 2.7mm NOMINAL
 C, MINIMUM KERF SLOT DEPTH 5.5mm

AQUAMAC™ 63



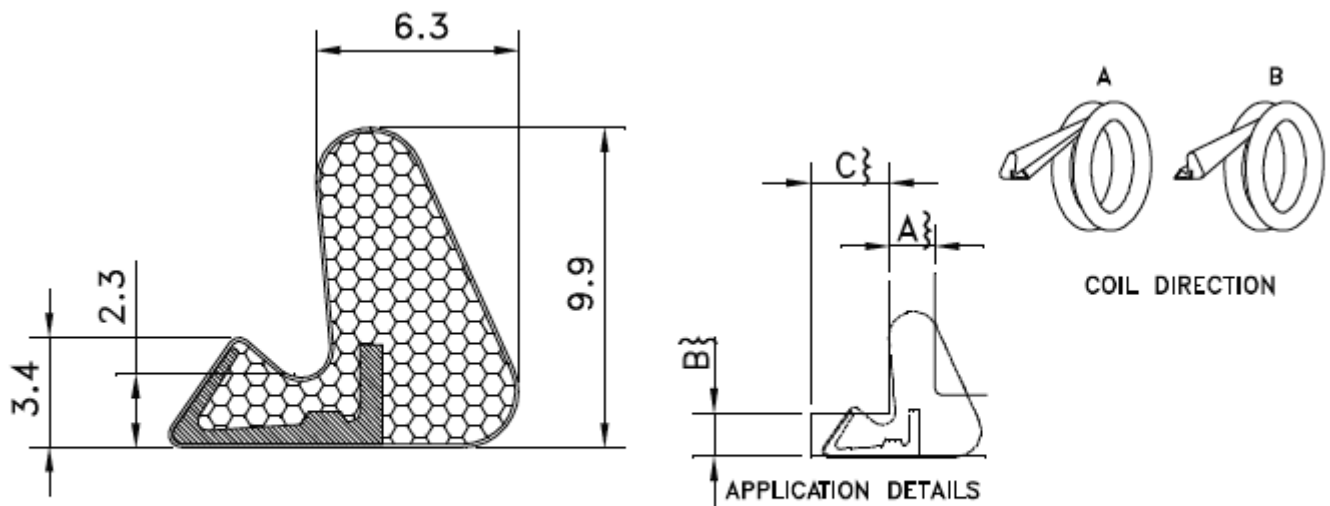
TECHNICAL SPECIFICATION: A, SEAL GAP: 3.4mm MIN to 5.4mm MAX
 B, KERF SLOT WIDTH: 2.7mm NOMINAL
 C, MINIMUM KERF SLOT DEPTH 5.5mm



Schlegel Germany GmbH, Bredowstrasse 33, 22113 Hamburg, Deutschland
 Tel: +49 407 33 290 Fax: +49 407 332 9219 email: schlegelde@schlegel.eu.com www.schlegel.com www.grouphomesafe.com

Schlegel UK, Henlow Industrial Estate, Henlow Camp, Bedfordshire, SG16 6DS UK
 Tel: +44 1462 815500 Fax: +44 1462 811963 email: schlegeluk@schlegel.eu.com www.schlegel.com www.grouphomesafe.com

AQUAMAC™ 5878



TECHNICAL SPECIFICATION: A, SEAL GAP. 3.2mm MIN to 4.9mm MAX
B, KERF SLOT WIDTH. 2.7mm NOMINAL
C, MINIMUM KERF SLOT DEPTH 5.5mm



Schlegel Germany GmbH, Bredowstrasse 33, 22113 Hamburg, Deutschland
Tel: +49 407 33 290 Fax: +49 407 332 9219 email: schlegelde@schlegel.eu.com www.schlegel.com www.grouphomesafe.com

Schlegel UK, Henlow Industrial Estate, Henlow Camp, Bedfordshire, SG16 6DS UK
Tel: +44 1462 815500 Fax: +44 1462 811963 email: schlegeluk@schlegel.eu.com www.schlegel.com www.grouphomesafe.com