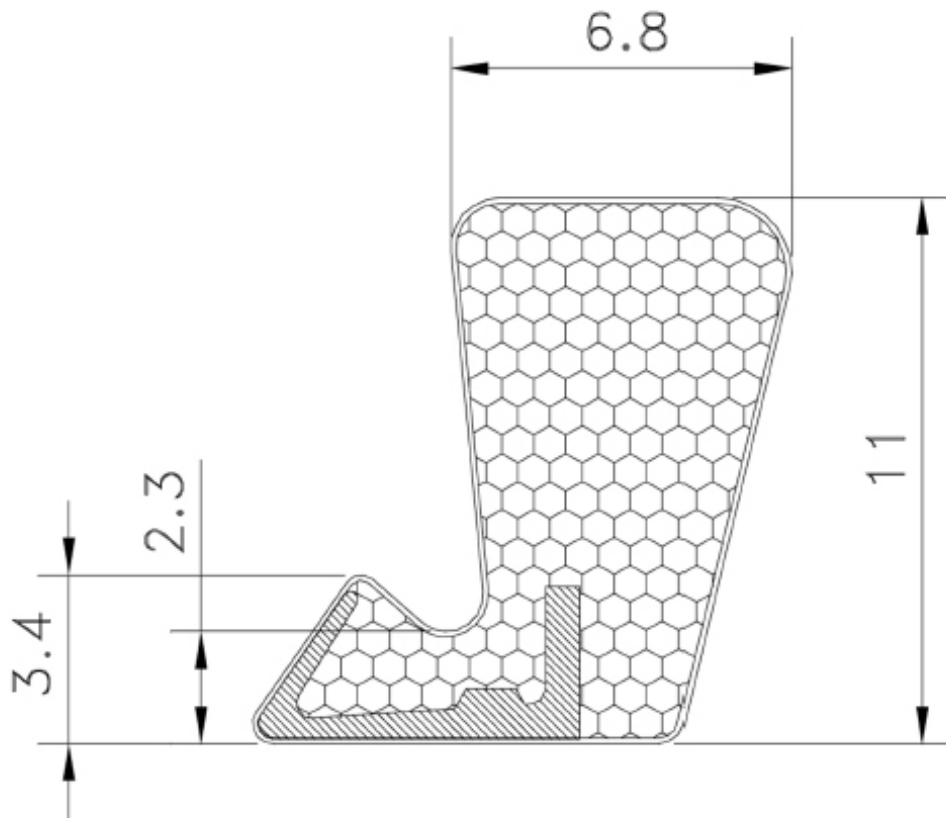




Foam Seals

[TIMBER TILT AND TURN WINDOWS]
Qlon - Aquamac



Schlegel Germany GmbH Bredowstrasse 33, 22113 Hamburg Deutschland
Tel: +49 407 33 290 Fax: +49 407 332 9219 email: schlegelde@schlegel.eu.com www.schlegel.com www.grouphomesafe.com

Schlegel UK, Henlow Industrial Estate, Henlow Camp, Bedfordshire, SG16 6DS UK
Tel: +44 1462 815500 Fax: +44 1462 811963 email: schlegeluk@schlegel.eu.com www.schlegel.com www.grouphomesafe.com

AQUAMAC™ and QLON™ the ultimate weatherseal

With over 50 years of global experience in the design and manufacture of outstanding window and door products, it is little wonder that Schlegel has become the industry's first choice for not only weatherseal products, but locking and security systems, handles and hardware.

The Unique Aquamac and QLON weatherseal has been developed in consultation with our customers to offer the widest range of seals possible for aluminium windows and doors. The unique design has made Aquamac and QLON impervious to paint and stain, while still providing some of the best energy saving performance characteristics currently available.

Backed by our lifetime guarantee, Aquamac and QLON will never let you or your customer down, making it a highly cost effective way of offering continuous high standards of weathersealing, year after year.

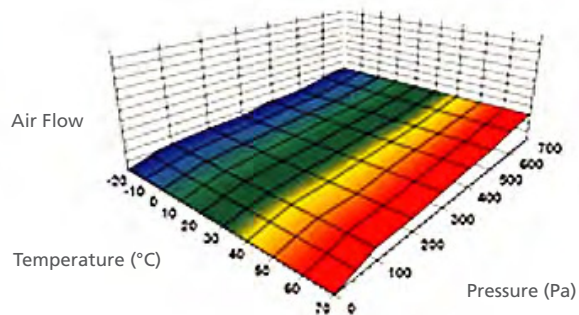


Window performance using EPDM flipper seal

OUTSTANDING ENERGY EFFICIENCY

Specially designed to meet the different demands of aluminium windows and doors, Aquamac and QLON maintains consistently high standards of energy efficiency, often exceeding any long-term window performance guarantees.

- Exceptional performance maintained over a wide temperature range. Doesn't shrink or stretch, even in extreme climatic conditions.
- Excellent memory - retains its original shape year after year to maintain a consistently high standard or weatherseal.
- Kerf tolerances have been increased and are more forgiving of your manufacturing process -2.7mm ± 0.3mm.
- Compensates for window movement.
- Lower insertion forces speed up fitting by 15%



Window performance using Schlegel Aquamac and Qlon

The graph shows the weather performance against competitor gaskets and demonstrates that Aquamac and Qlon provides less air leakage over a wide temperature range when compared to our competitors.



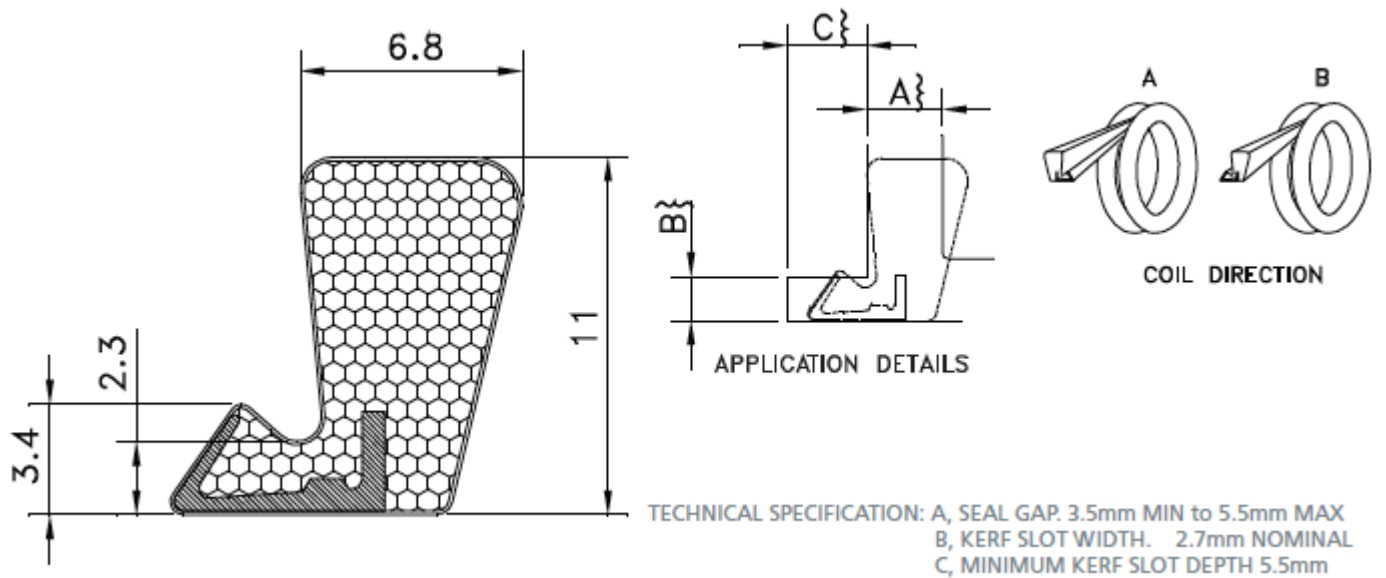
Schlegel Germany GmbH, Bredowstrasse 33, 22113 Hamburg, Deutschland

Tel: +49 407 33 290 Fax: +49 407 332 9219 email: schlegelde@schlegel.eu.com www.schlegel.com www.grouphomesafe.com

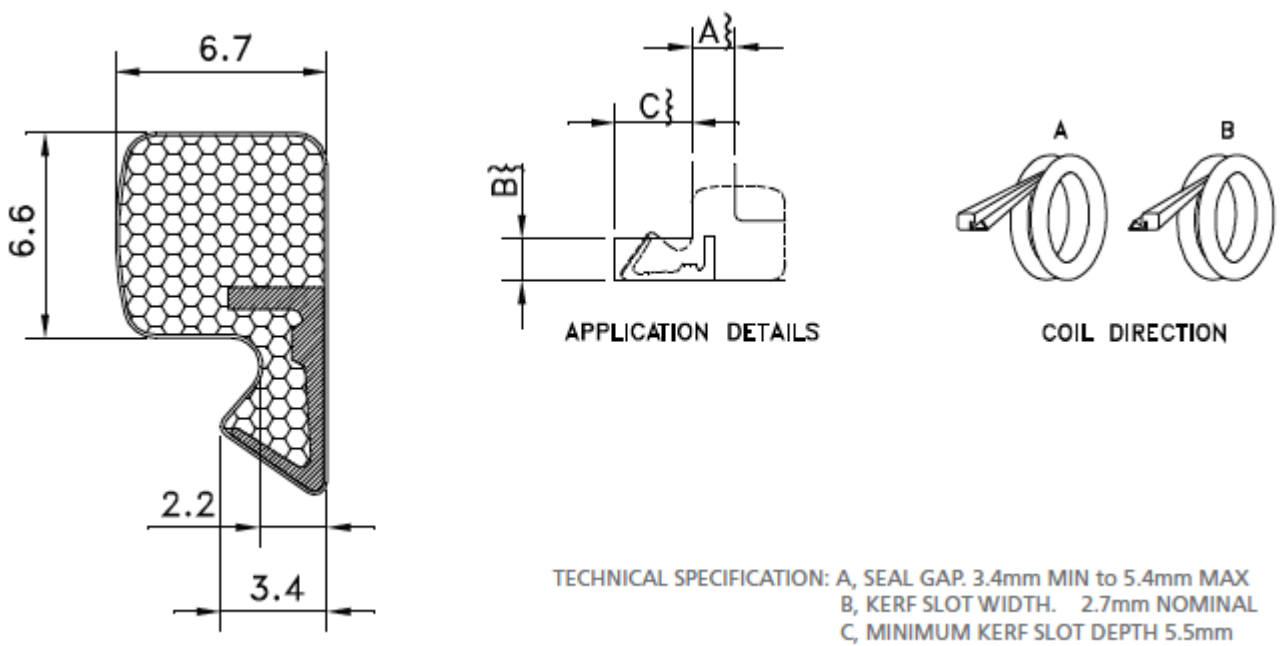
Schlegel UK, Henlow Industrial Estate, Henlow Camp, Bedfordshire, SG16 6DS UK

Tel: +44 1462 815500 Fax: +44 1462 811963 email: schlegeluk@schlegel.eu.com www.schlegel.com www.grouphomesafe.com

AQUAMAC™ 109



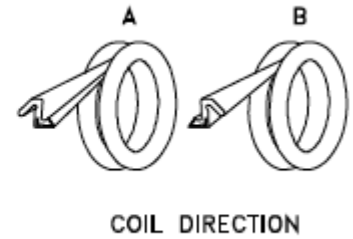
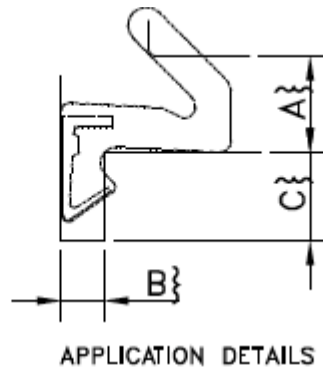
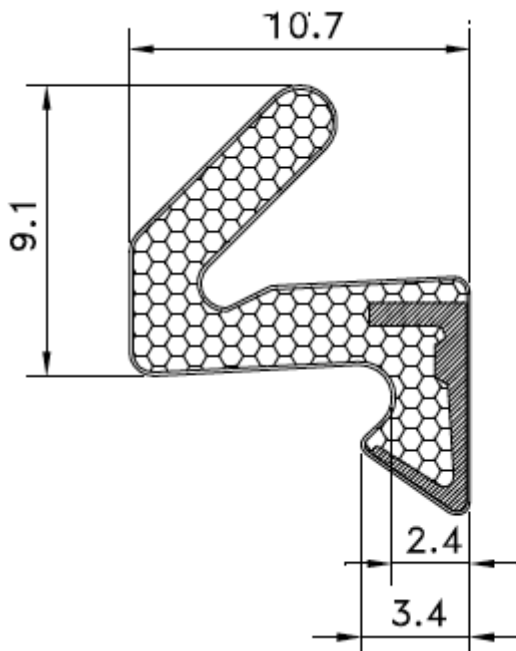
AQUAMAC™ 3005 / AQUAMAC™ 63



Schlegel Germany GmbH, Bredowstrasse 33, 22113 Hamburg, Deutschland
 Tel: +49 407 33 290 Fax: +49 407 332 9219 email: schlegelde@schlegel.eu.com www.schlegel.com www.grouphomesafe.com

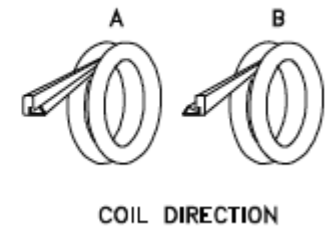
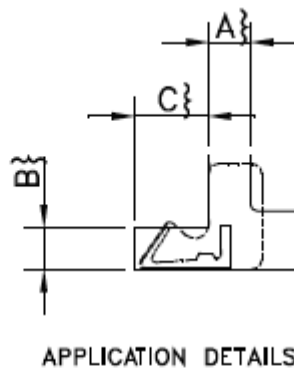
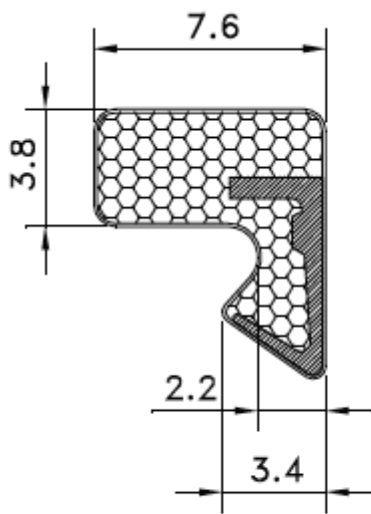
Schlegel UK, Henlow Industrial Estate, Henlow Camp, Bedfordshire, SG16 6DS UK
 Tel: +44 1462 815500 Fax: +44 1462 811963 email: schlegeluk@schlegel.eu.com www.schlegel.com www.grouphomesafe.com

AQUAMAC™ 21



TECHNICAL SPECIFICATION: A, SEAL GAP. 5.0mm MINto 7.5mmMAX
 B, KERF SLOT WIDTH. 2.7mm NOMINAL
 C, MINIMUM KERF SLOT DEPTH 5.5mm

AQUAMAC™ 48



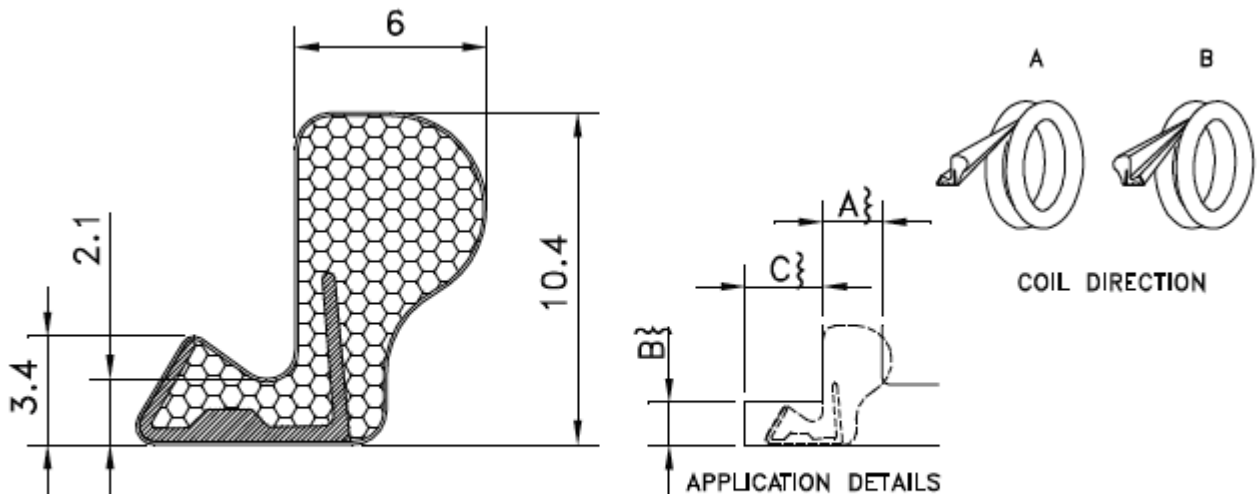
TECHNICAL SPECIFICATION: A, SEAL GAP. 2.0mm MIN to 3.0mm MAX
 B, KERF SLOT WIDTH. 2.7mm NOMINAL
 C, MINIMUM KERF SLOT DEPTH 5.5mm



Schlegel Germany GmbH, Bredowstrasse 33, 22113 Hamburg, Deutschland
 Tel: +49 407 33 290 Fax: +49 407 332 9219 email: schlegelde@schlegel.eu.com www.schlegel.com www.grouphomesafe.com

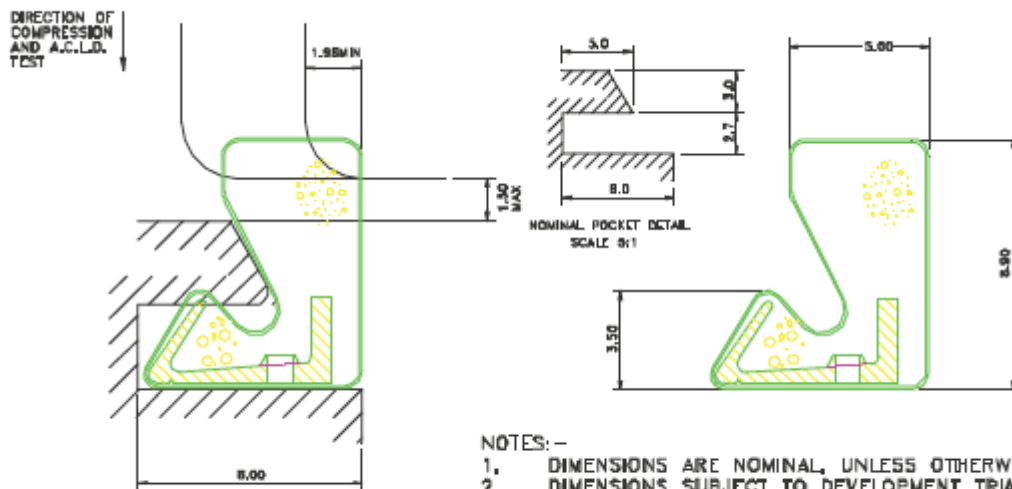
Schlegel UK, Henlow Industrial Estate, Henlow Camp, Bedfordshire, SG16 6DS UK
 Tel: +44 1462 815500 Fax: +44 1462 811963 email: schlegeluk@schlegel.eu.com www.schlegel.com www.grouphomesafe.com

QLON™ 3004 / 3025 / 3065 / 3066



TECHNICAL SPECIFICATION: A, SEAL GAP. 3.0mm MIN to 4.8mm MAX
 B, KERF SLOT WIDTH. 3.0mm NOMINAL
 C, MINIMUM KERF SLOT DEPTH 6.0mm

QLON™ 3034



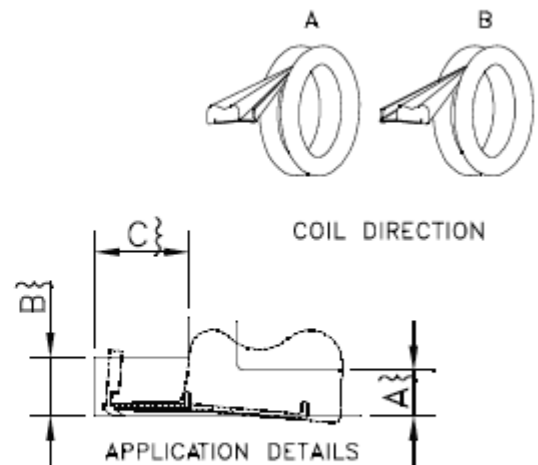
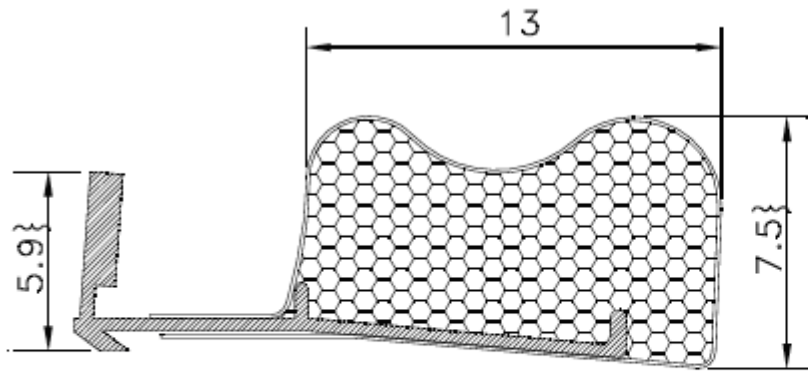
NOTES:-
 1, DIMENSIONS ARE NOMINAL, UNLESS OTHERWISE STATED
 2, DIMENSIONS SUBJECT TO DEVELOPMENT TRIALS
 3, KERF SLOT SIZE TO BE 2.7±0.2mm WIDE, AND 5.0mm MINIMUM IN DEPTH



Schlegel Germany GmbH, Bredowstrasse 33, 22113 Hamburg, Deutschland
 Tel: +49 407 33 290 Fax: +49 407 332 9219 email: schlegelde@schlegel.eu.com www.schlegel.com www.grouphomesafe.com

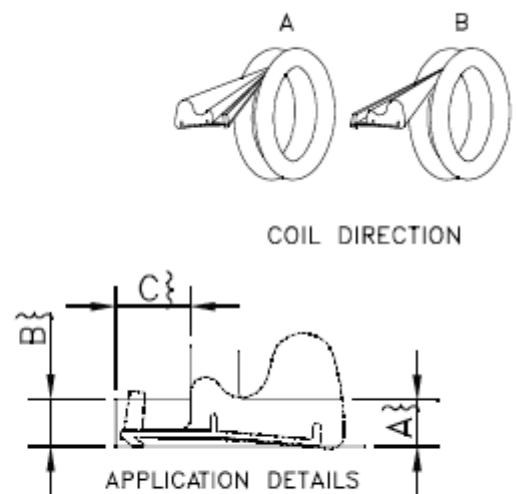
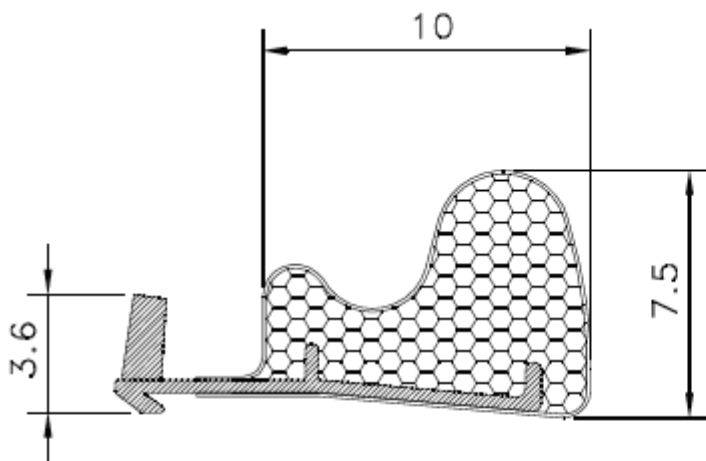
Schlegel UK, Henlow Industrial Estate, Henlow Camp, Bedfordshire, SG16 6DS UK
 Tel: +44 1462 815500 Fax: +44 1462 811963 email: schlegeluk@schlegel.eu.com www.schlegel.com www.grouphomesafe.com

QLON™ 3053



TECHNICAL SPECIFICATION: A, SEAL GAP. 4.5mm MIN to 7.5mm MAX
 B, KERF SLOT WIDTH. 4.5mm NOMINAL
 C, MINIMUM KERF SLOT DEPTH 7.0mm

QLON™ 3054



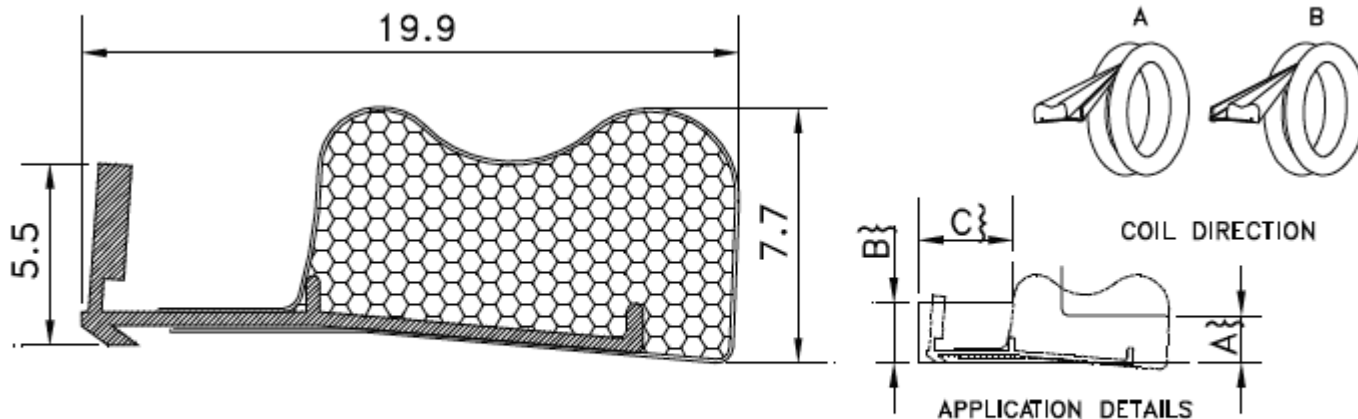
TECHNICAL SPECIFICATION: A, SEAL GAP. 4.0mm MIN to 5.0mm MAX
 B, KERF SLOT WIDTH. 3.0mm NOMINAL
 C, MINIMUM KERF SLOT DEPTH 5.0mm



Schlegel Germany GmbH, Bredowstrasse 33, 22113 Hamburg, Deutschland
 Tel: +49 407 33 290 Fax: +49 407 332 9219 email: schlegelde@schlegel.eu.com www.schlegel.com www.grouphomesafe.com

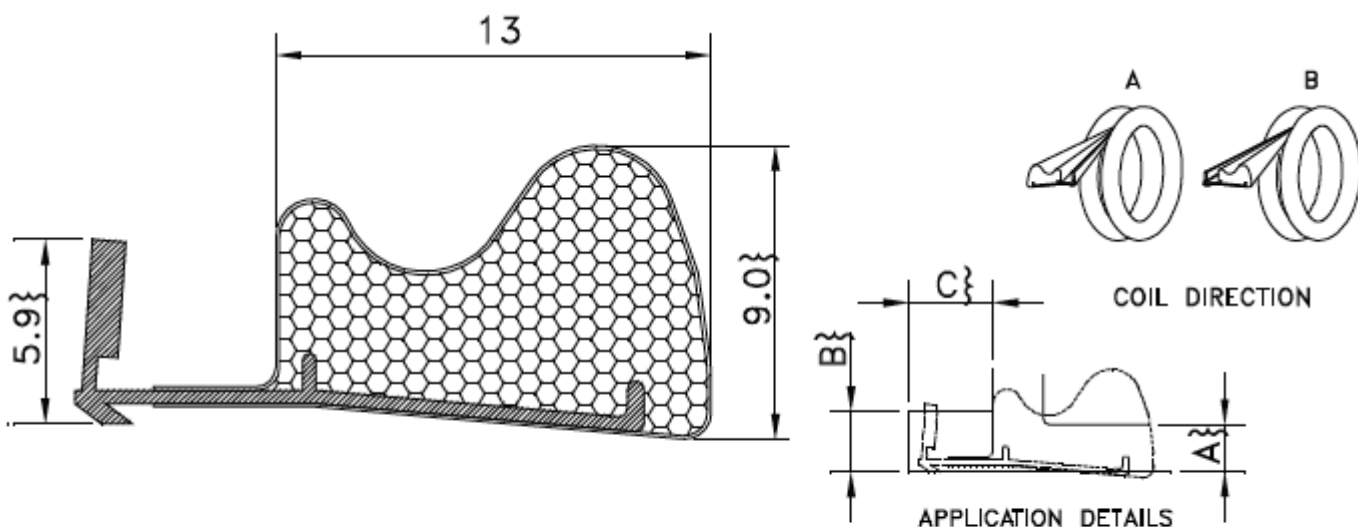
Schlegel UK, Henlow Industrial Estate, Henlow Camp, Bedfordshire, SG16 6DS UK
 Tel: +44 1462 815500 Fax: +44 1462 811963 email: schlegeluk@schlegel.eu.com www.schlegel.com www.grouphomesafe.com

QLON™ 3060



TECHNICAL SPECIFICATION: A, SEAL GAP. 4.5mm MIN to 7.5mm MAX
 B, KERF SLOT WIDTH. 5.0mm NOMINAL
 C, MINIMUM KERF SLOT DEPTH 8.0mm

QLON™ 3062 / 3063



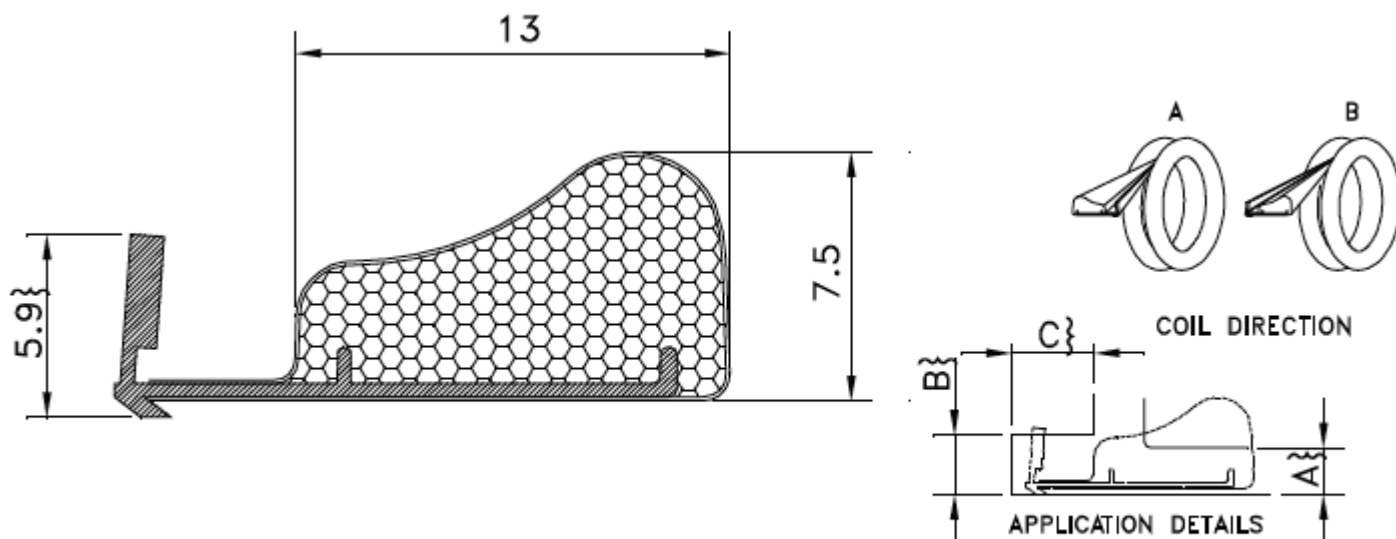
TECHNICAL SPECIFICATION: A, SEAL GAP. 4.5mm MIN to 7.5mm MAX
 B, KERF SLOT WIDTH. 4.5mm NOMINAL
 C, MINIMUM KERF SLOT DEPTH 7.0mm



Schlegel Germany GmbH, Bredowstrasse 33, 22113 Hamburg, Deutschland
 Tel: +49 407 33 290 Fax: +49 407 332 9219 email: schlegelde@schlegel.eu.com www.schlegel.com www.grouphomesafe.com

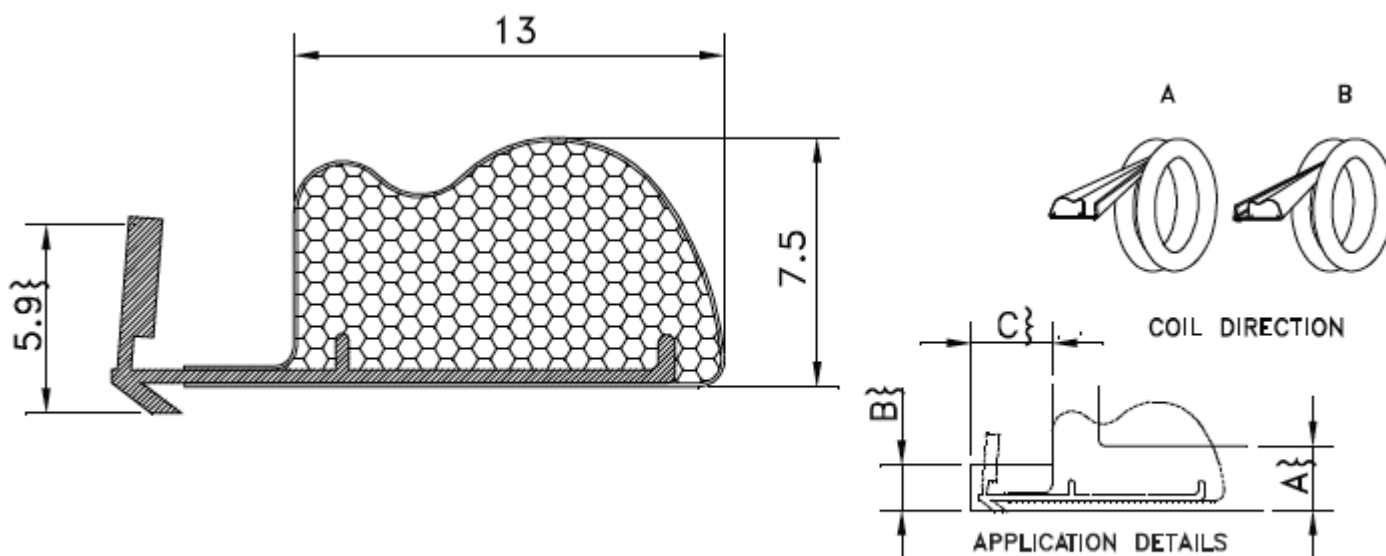
Schlegel UK, Henlow Industrial Estate, Henlow Camp, Bedfordshire, SG16 6DS UK
 Tel: +44 1462 815500 Fax: +44 1462 811963 email: schlegeluk@schlegel.eu.com www.schlegel.com www.grouphomesafe.com

QLON™ 3064



TECHNICAL SPECIFICATION: A, SEAL GAP. 3.5mm MIN to 6.0mm MAX
 B, KERF SLOT WIDTH. 4.5mm NOMINAL
 C, MINIMUM KERF SLOT DEPTH 7.0mm

QLON™ 3067



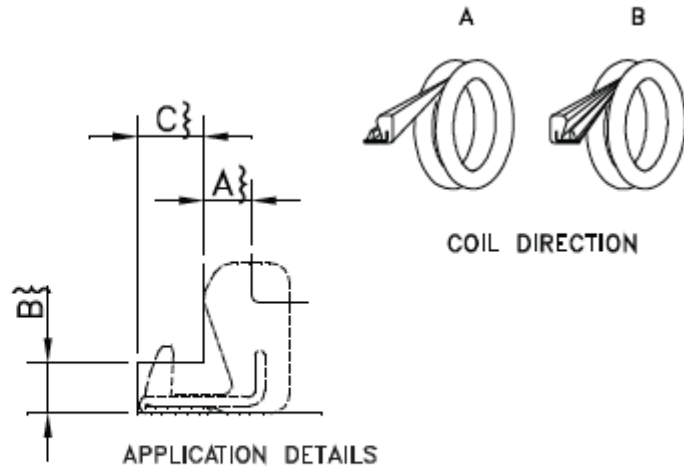
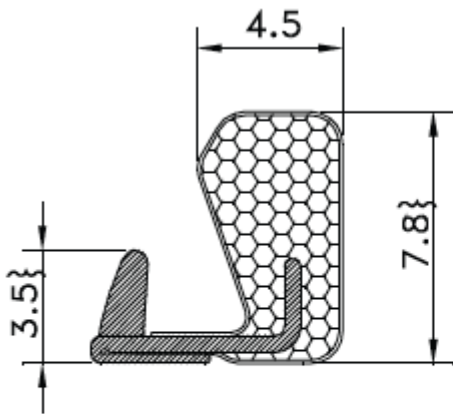
TECHNICAL SPECIFICATION: A, SEAL GAP. 3.7mm MIN to 6.0mm MAX
 B, KERF SLOT WIDTH. 4.5mm NOMINAL
 C, MINIMUM KERF SLOT DEPTH 7.0mm



Schlegel Germany GmbH, Bredowstrasse 33, 22113 Hamburg, Deutschland
 Tel: +49 407 33 290 Fax: +49 407 332 9219 email: schlegelde@schlegel.eu.com www.schlegel.com www.grouphomesafe.com

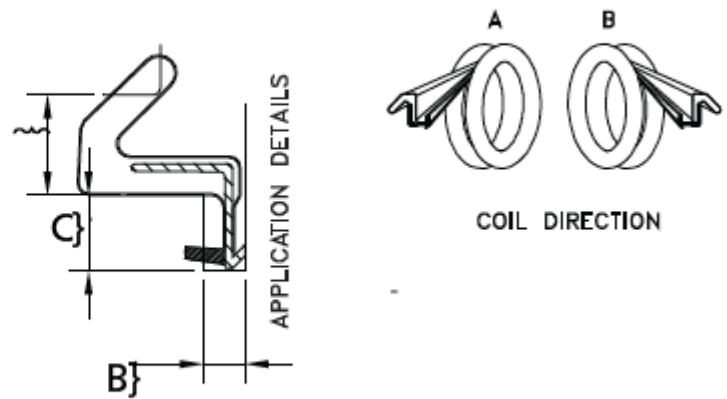
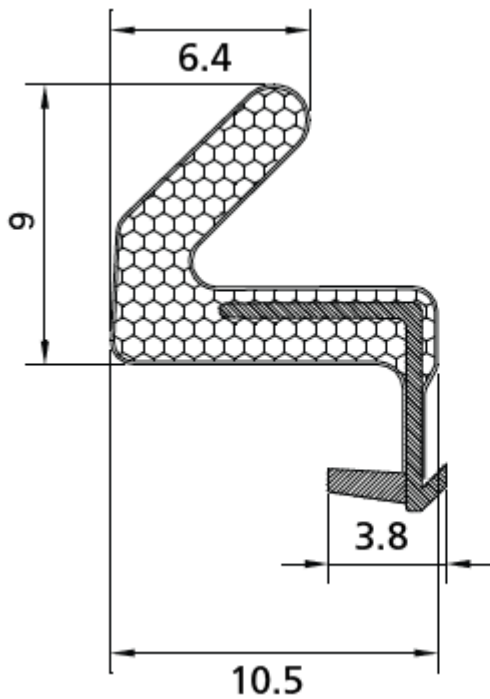
Schlegel UK, Henlow Industrial Estate, Henlow Camp, Bedfordshire, SG16 6DS UK
 Tel: +44 1462 815500 Fax: +44 1462 811963 email: schlegeluk@schlegel.eu.com www.schlegel.com www.grouphomesafe.com

QLON™ 3070



TECHNICAL SPECIFICATION: A, SEAL GAP. 1.0mm MIN to 4.0mm MAX
 B, KERF SLOT WIDTH. 3.0mm NOMINAL
 C, MINIMUM KERF SLOT DEPTH 5.0mm

QLON™ 3078



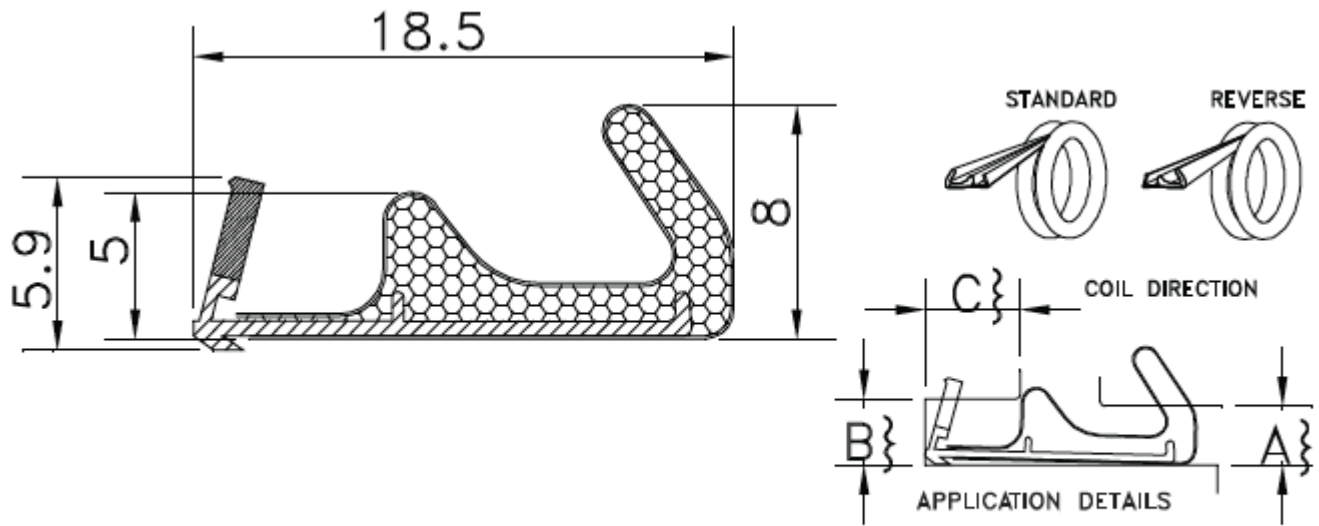
TECHNICAL SPECIFICATION: A, SEAL GAP. 5.0mm MIN to 7.5mm MAX
 B, KERF SLOT WIDTH. 2.8mm NOMINAL
 C, MINIMUM KERF SLOT DEPTH 5.5mm



Schlegel Germany GmbH, Bredowstrasse 33, 22113 Hamburg, Deutschland
 Tel: +49 407 33 290 Fax: +49 407 332 9219 email: schlegelde@schlegel.eu.com www.schlegel.com www.grouphomesafe.com

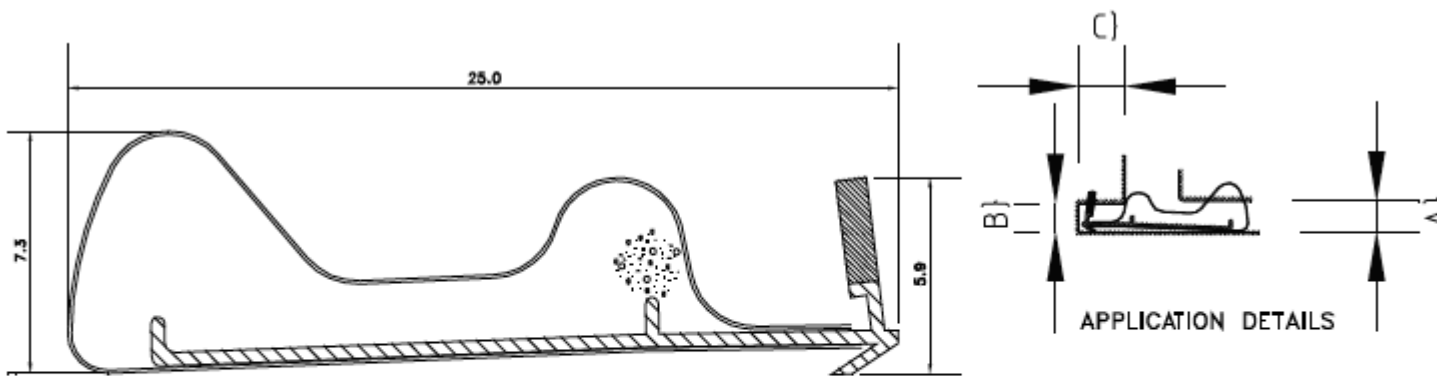
Schlegel UK, Henlow Industrial Estate, Henlow Camp, Bedfordshire, SG16 6DS UK
 Tel: +44 1462 815500 Fax: +44 1462 811963 email: schlegeluk@schlegel.eu.com www.schlegel.com www.grouphomesafe.com

QLON™ 3096



TECHNICAL SPECIFICATION: A, SEAL GAP. 4.0mm MIN to 7.0mm MAX
 B, KERF SLOT WIDTH. 4.5mm NOMINAL
 C, MINIMUM KERF SLOT DEPTH 6.5mm

QLON™ 3097



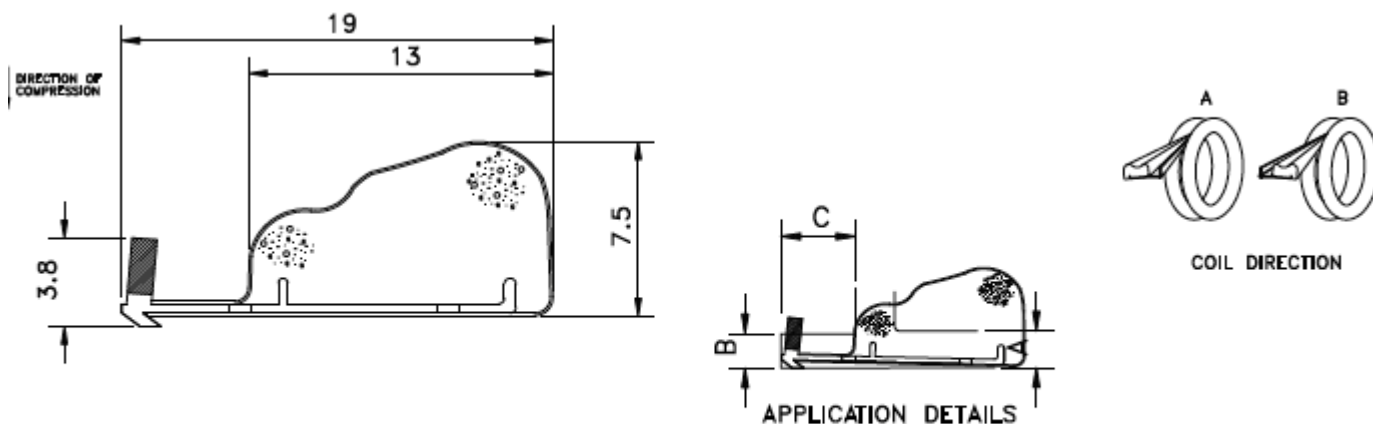
TECHNICAL SPECIFICATION: A, SEAL GAP. 3.5mm MIN to 5.5mm MAX
 B, RETENTION SLOT THROAT. 4.2mm NOMINAL
 C, MINIMUM POCKET DEPTH 7.0mm



Schlegel Germany GmbH, Bredowstrasse 33, 22113 Hamburg, Deutschland
 Tel: +49 407 33 290 Fax: +49 407 332 9219 email: schlegelde@schlegel.eu.com www.schlegel.com www.grouphomesafe.com

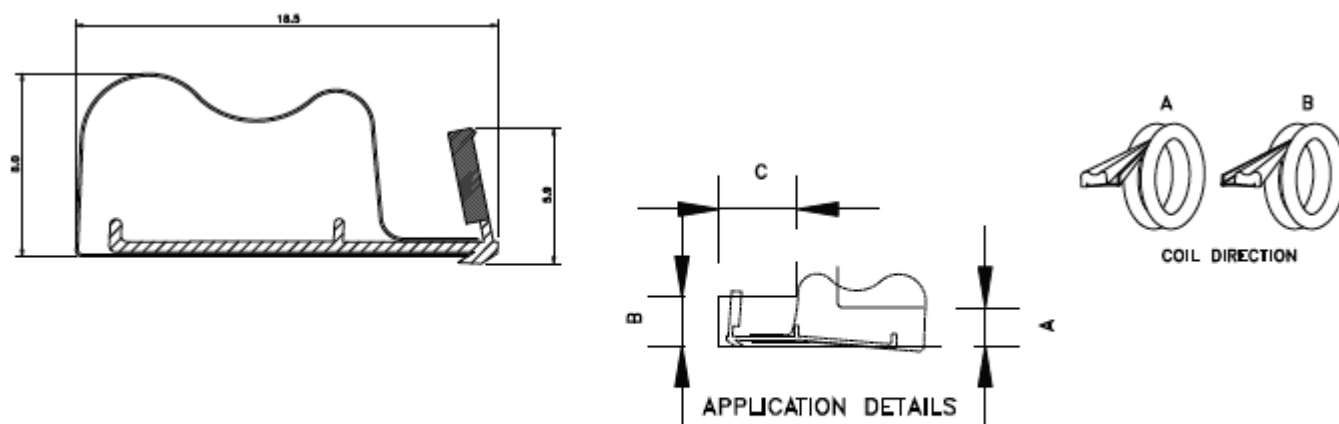
Schlegel UK, Henlow Industrial Estate, Henlow Camp, Bedfordshire, SG16 6DS UK
 Tel: +44 1462 815500 Fax: +44 1462 811963 email: schlegeluk@schlegel.eu.com www.schlegel.com www.grouphomesafe.com

QLON™ 3101



TECHNICAL SPECIFICATION: A, SEAL GAP. 4.5mm MIN to 6.5mm MAX
 B, KERF SLOT WIDTH. 3.0mm NOMINAL
 C, MINIMUM KERF SLOT DEPTH 7.0mm

QLON™ 3103



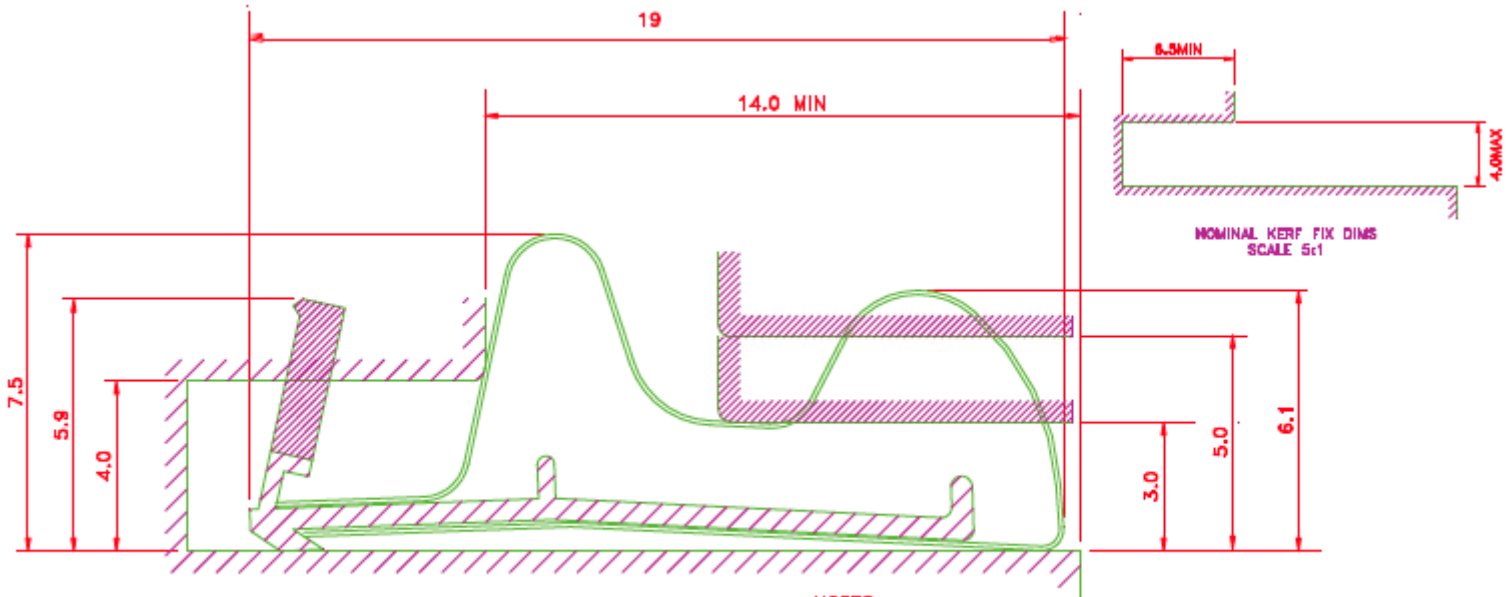
TECHNICAL SPECIFICATION: A, SEAL GAP. 4.5mm MIN to 7.5mm MAX
 B, KERF SLOT WIDTH. 4.5mm NOMINAL
 C, MINIMUM KERF SLOT DEPTH 7.0mm



Schlegel Germany GmbH, Bredowstrasse 33, 22113 Hamburg, Deutschland
 Tel: +49 407 33 290 Fax: +49 407 332 9219 email: schlegelde@schlegel.eu.com www.schlegel.com www.grouphomesafe.com

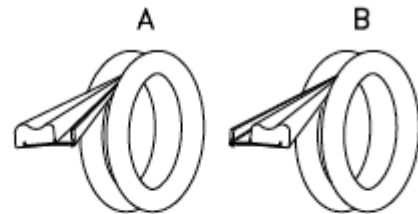
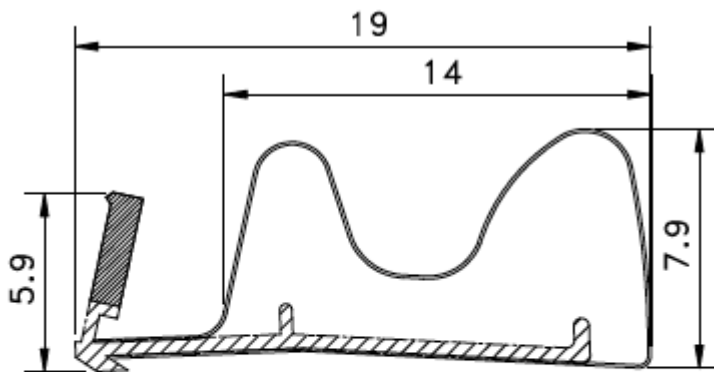
Schlegel UK, Henlow Industrial Estate, Henlow Camp, Bedfordshire, SG16 6DS UK
 Tel: +44 1462 815500 Fax: +44 1462 811963 email: schlegeluk@schlegel.eu.com www.schlegel.com www.grouphomesafe.com

QLON™ 3111

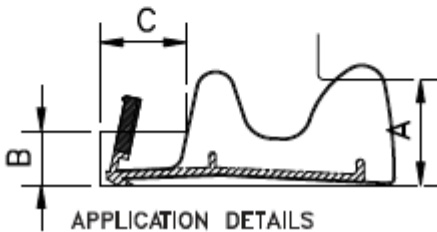


- NOTES:-
 1. DIMENSIONS ARE NOMINAL UNLESS OTHERWISE STATED
 2. INFORMATION ON DRAWING MAY CHANGE WITHOUT NOTICE

QLON™ 3123



COIL DIRECTION



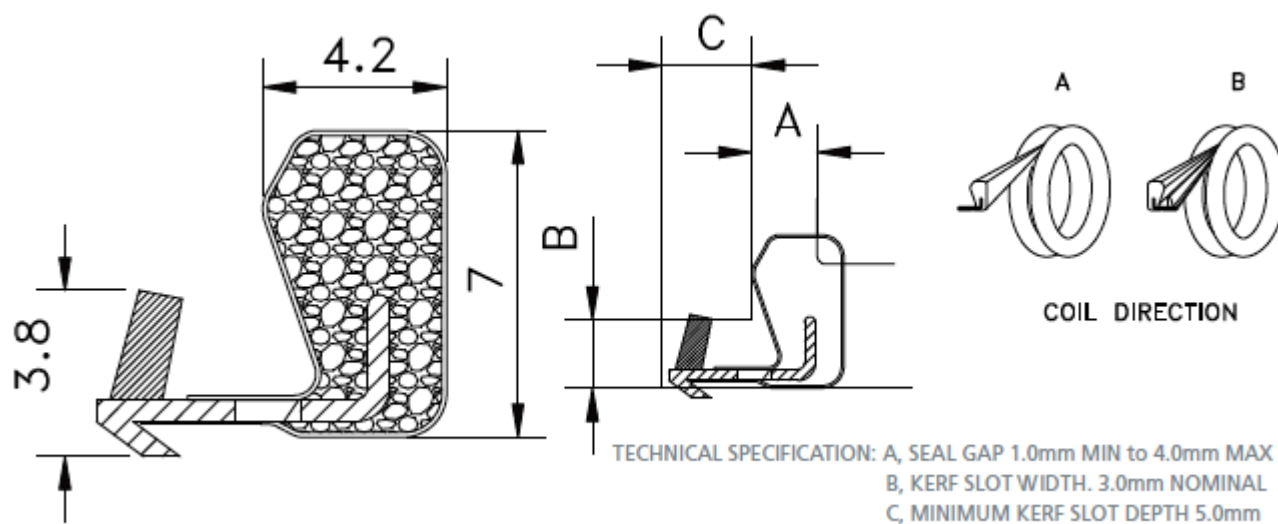
TECHNICAL SPECIFICATION: A, SEAL GAP 4.5mm MIN to 7.5mm MAX
 B, KERF SLOT WIDTH. 4.5mm NOMINAL
 C, MINIMUM KERF SLOT DEPTH 7.0mm



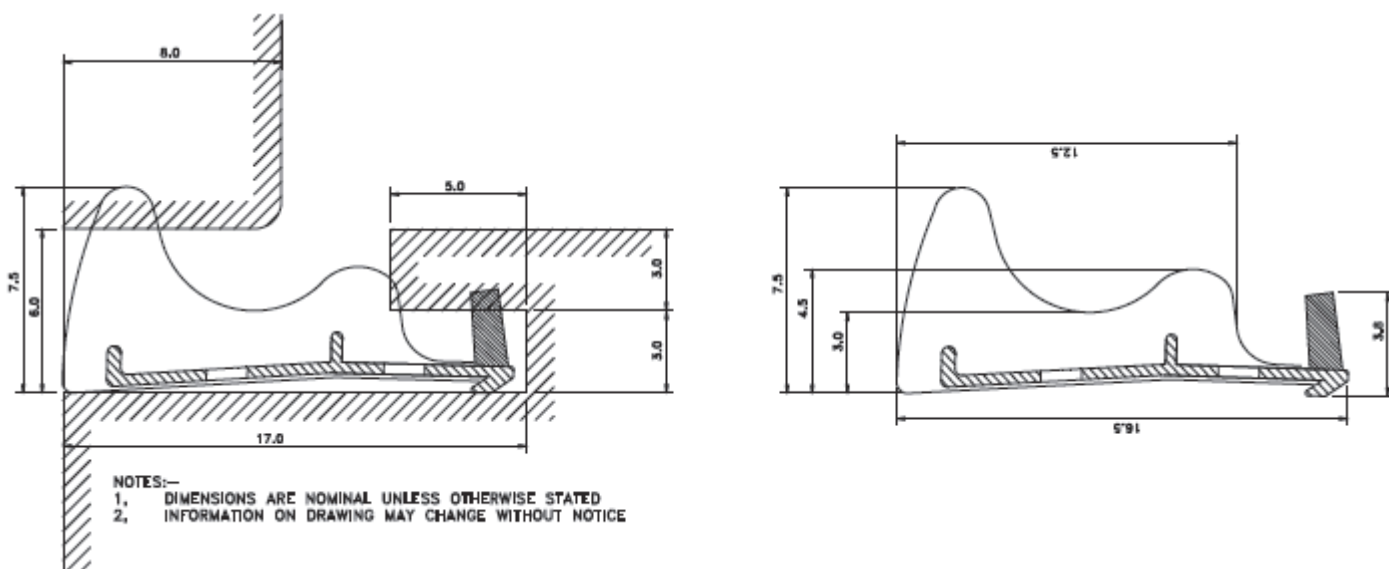
Schlegel Germany GmbH, Bredowstrasse 33, 22113 Hamburg, Deutschland
 Tel: +49 407 33 290 Fax: +49 407 332 9219 email: schlegelde@schlegel.eu.com www.schlegel.com www.grouphomesafe.com

Schlegel UK, Henlow Industrial Estate, Henlow Camp, Bedfordshire, SG16 6DS UK
 Tel: +44 1462 815500 Fax: +44 1462 811963 email: schlegeluk@schlegel.eu.com www.schlegel.com www.grouphomesafe.com

QLON™ 3129



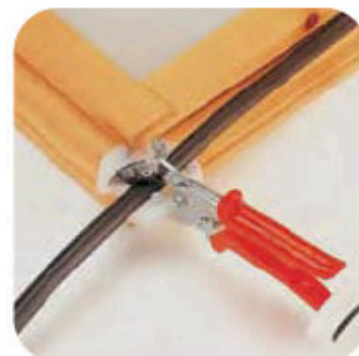
QLON™ 3130



Schlegel Germany GmbH, Bredowstrasse 33, 22113 Hamburg, Deutschland
 Tel: +49 407 33 290 Fax: +49 407 332 9219 email: schlegelde@schlegel.eu.com www.schlegel.com www.grouphomesafe.com

Schlegel UK, Henlow Industrial Estate, Henlow Camp, Bedfordshire, SG16 6DS UK
 Tel: +44 1462 815500 Fax: +44 1462 811963 email: schlegeluk@schlegel.eu.com www.schlegel.com www.grouphomesafe.com

QLON™ and AQUAMAC™ the ultimate weatherseal



Schlegel can offer a range of tools to aid in the use of their weatherseal range. These include:

- Weatherseal pay-offs
- Insertion rollers
- Mitre cutters



Schlegel Germany GmbH, Bredowstrasse 33, 22113 Hamburg, Deutschland
Tel: +49 407 33 290 Fax: +49 407 332 9219 email: schlegelde@schlegel.eu.com www.schlegel.com www.grouphomesafe.com

Schlegel UK, Henlow Industrial Estate, Henlow Camp, Bedfordshire, SG16 6DS UK
Tel: +44 1462 815500 Fax: +44 1462 811963 email: schlegeluk@schlegel.eu.com www.schlegel.com www.grouphomesafe.com

WEATHERSEAL RANGE COLOUR CHART



BRONZE (RAL 8017)



WHITE (RAL 9003)



BLACK (RAL 9005)



DARK GREY
(M5 EMBOSS ONLY RAL 7002)



BEIGE (RAL 1001)



LIGHT OAK (RAL 8003)



LIGHT GREY (RAL 7035)



SILVER GREY (RAL 7001)



OCHRE BROWN (RAL 8001)



CHESTNUT BROWN (RAL 8015)



GRAPHITE GREY (RAL 7024)



FAWN BROWN (RAL 8007)



PURE WHITE (RAL 9010)

- This chart is a 'rough' guide only not to be used as an exact representation of the finished colour
- Options available



Schlegel Germany GmbH, Bredowstrasse 33, 22113 Hamburg, Deutschland

Tel: +49 407 33 290 Fax: +49 407 332 9219 email: schlegelde@schlegel.eu.com www.schlegel.com www.grouphomesafe.com

Schlegel UK, Henlow Industrial Estate, Henlow Camp, Bedfordshire, SG16 6DS UK

Tel: +44 1462 815500 Fax: +44 1462 811963 email: schlegeluk@schlegel.eu.com www.schlegel.com www.grouphomesafe.com