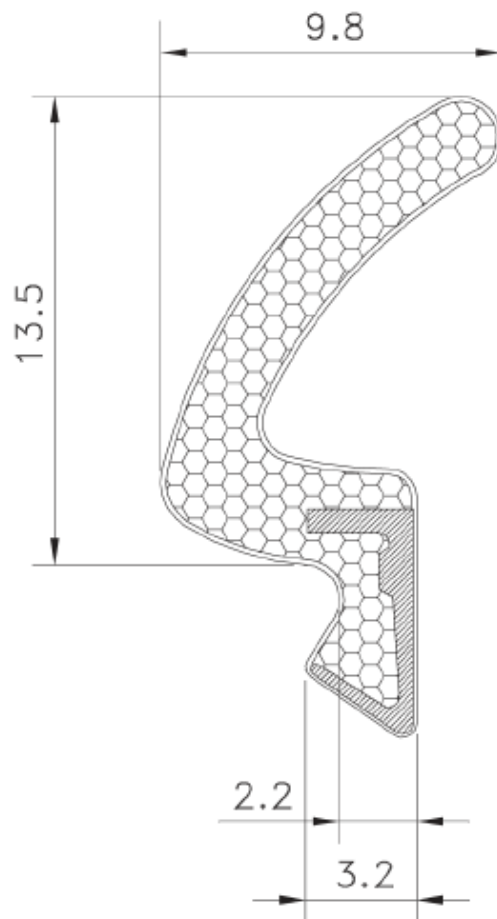




Foam Seals

[UPVC DOORS]

Qlon - Aquamac



AQUAMAC™ and QLON™ the ultimate weatherseal

With over 50 years of global experience in the design and manufacture of outstanding window and door products, it is little wonder that Schlegel has become the industry's first choice for not only weatherseal products, but locking and security systems, handles and hardware.

The Unique Aquamac and QLON weatherseal has been developed in consultation with our customers to offer the widest range of seals possible for aluminium windows and doors. The unique design has made Aquamac and QLON impervious to paint and stain, while still providing some of the best energy saving performance characteristics currently available.

Backed by our lifetime guarantee, Aquamac and QLON will never let you or your customer down, making it a highly cost effective way of offering continuous high standards of weathersealing, year after year.

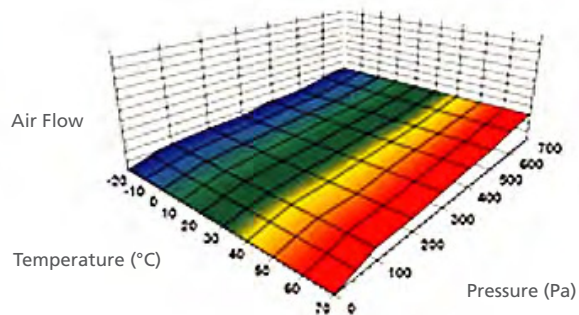


Window performance using EPDM flipper seal

OUTSTANDING ENERGY EFFICIENCY

Specially designed to meet the different demands of aluminium windows and doors, Aquamac and QLON maintains consistently high standards of energy efficiency, often exceeding any long-term window performance guarantees.

- Exceptional performance maintained over a wide temperature range. Doesn't shrink or stretch, even in extreme climatic conditions.
- Excellent memory - retains its original shape year after year to maintain a consistently high standard or weatherseal.
- Kerf tolerances have been increased and are more forgiving of your manufacturing process -2.7mm ± 0.3mm.
- Compensates for window movement.
- Lower insertion forces speed up fitting by 15%

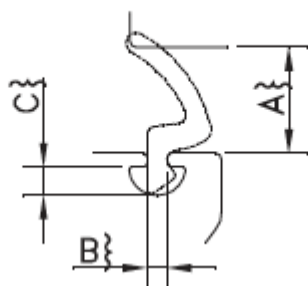
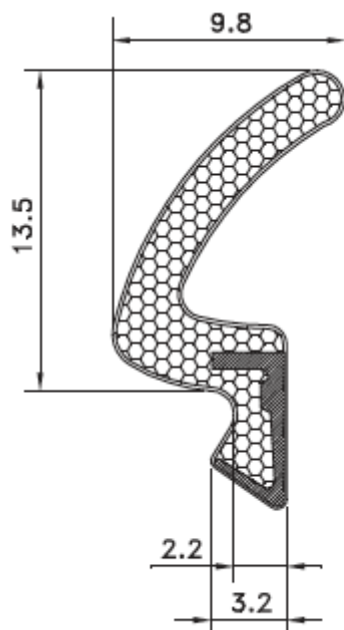


Window performance using Schlegel Aquamac and Qlon

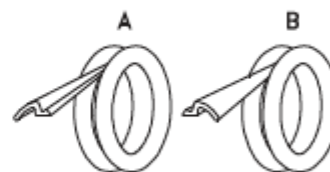
The graph shows the weather performance against competitor gaskets and demonstrates that Aquamac and Qlon provides less air leakage over a wide temperature range when compared to our competitors.



QLON™ 7000



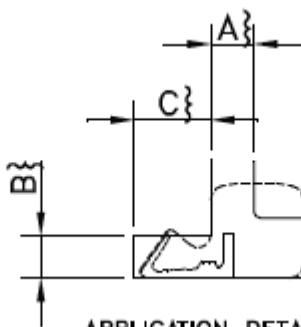
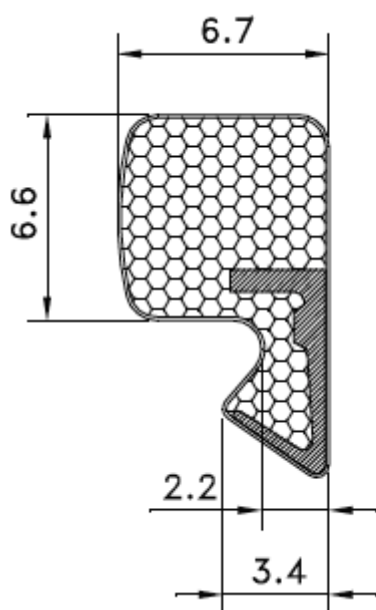
APPLICATION DETAILS



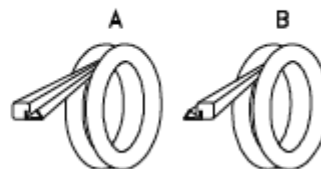
COIL DIRECTION

TECHNICAL SPECIFICATION: A, SEAL GAP 4.0mm MIN to 10.8mm MAX
 B, RETENTION SLOT THROAT. 2.4mm NOMINAL
 C, MINIMUM POCKET DEPTH 4.5mm

AQUAMAC™ 63



APPLICATION DETAILS

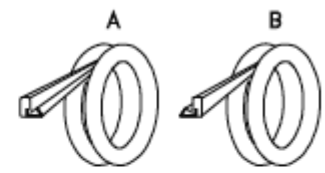
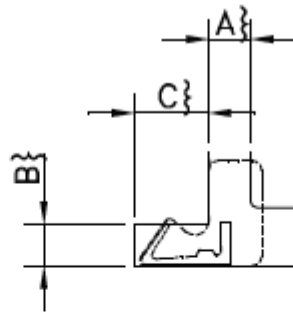
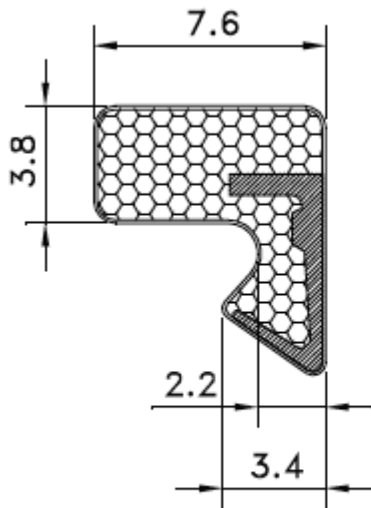


COIL DIRECTION

TECHNICAL SPECIFICATION: A, SEAL GAP. 3.4mm MIN to 5.4mm MAX
 B, KERF SLOT WIDTH. 2.7mm NOMINAL
 C, MINIMUM KERF SLOT DEPTH 5.5mm



AQUAMAC™ 48

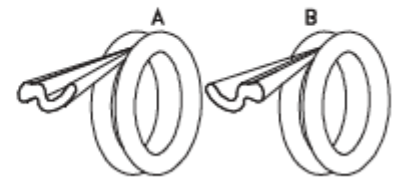
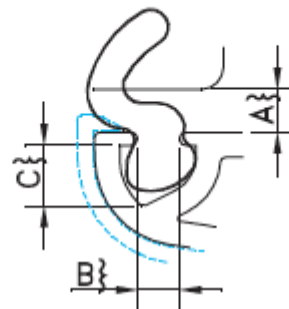
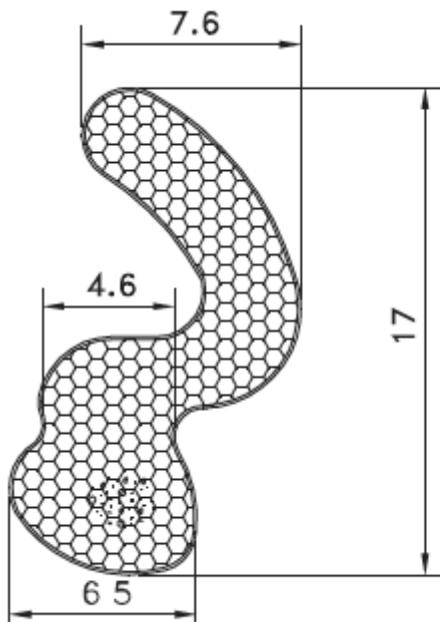


COIL DIRECTION

APPLICATION DETAILS

TECHNICAL SPECIFICATION: A, SEAL GAP. 2.0mm MIN to 3.0mm MAX
 B, KERF SLOT WIDTH. 2.7mm NOMINAL
 C, MINIMUM KERF SLOT DEPTH 5.5mm

QLON™ 9536



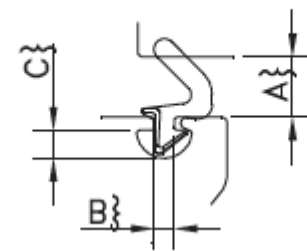
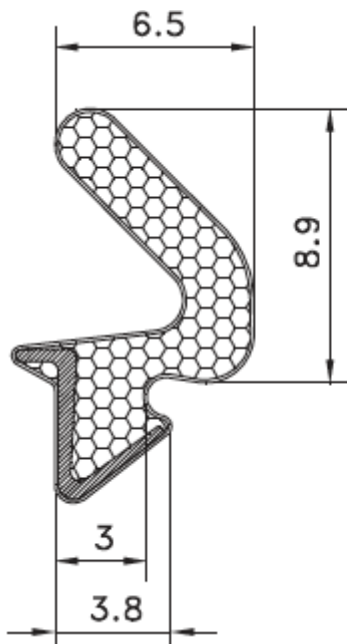
COIL DIRECTION

APPLICATION DETAILS

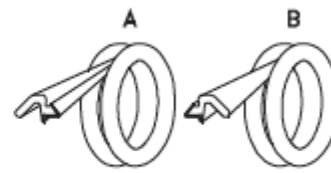
TECHNICAL SPECIFICATION: A, SEAL GAP 2.5mm MIN to 4.0mm MAX
 B, RETENTION SLOT THROAT. 3.9mm NOMINAL
 C, MINIMUM POCKET DEPTH 5.6mm



QLON™ 9257



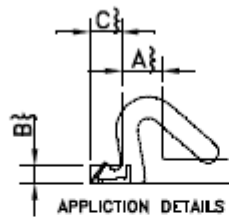
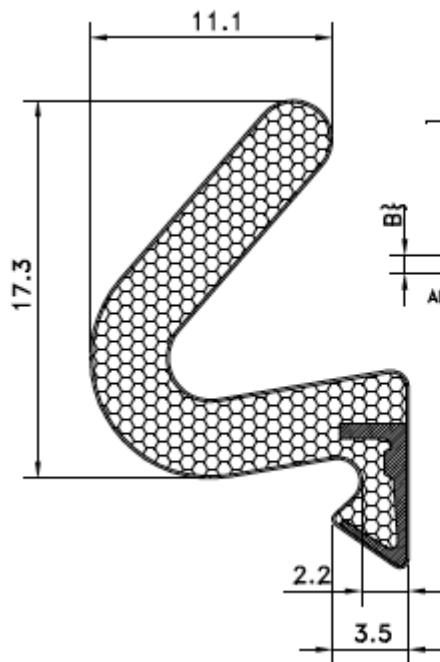
APPLICATION DETAILS



COIL DIRECTION

TECHNICAL SPECIFICATION: A, SEAL GAP 4.5mm MIN to 7.1mm MAX
 B, RETENTION SLOT THROAT. 3.0mm NOMINAL
 C, MINIMUM POCKET DEPTH 3.0mm

AQUAMAC™ 89

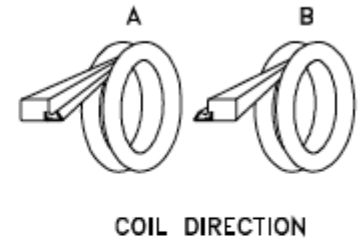
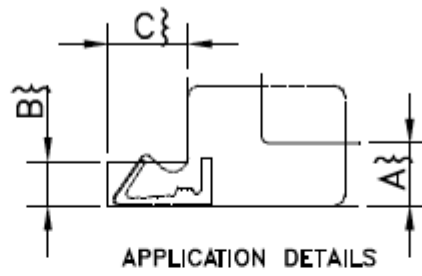
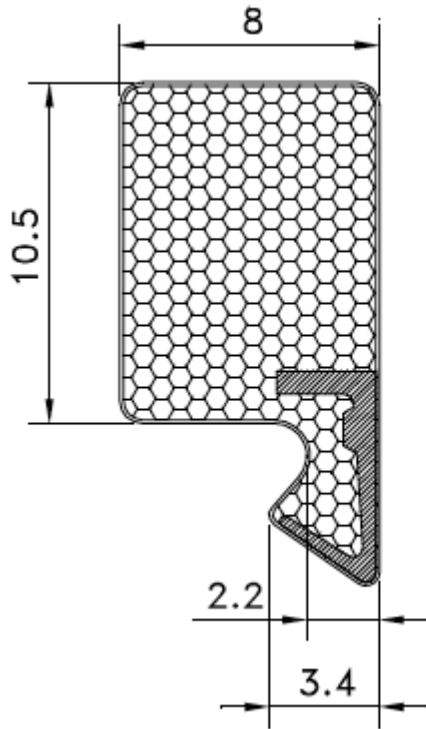


APPLICATION DETAILS

TECHNICAL SPECIFICATION: A, SEAL GAP 5.0mm MIN to 13.0mm MAX
 B, KERF SLOT WIDTH. 2.7mm NOMINAL
 C, MINIMUM KERF SLOT DEPTH 5.5mm

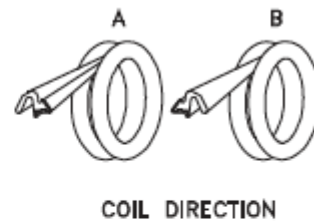
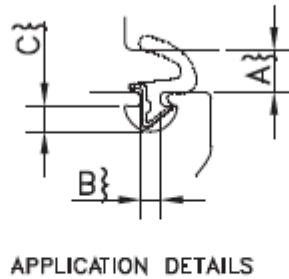
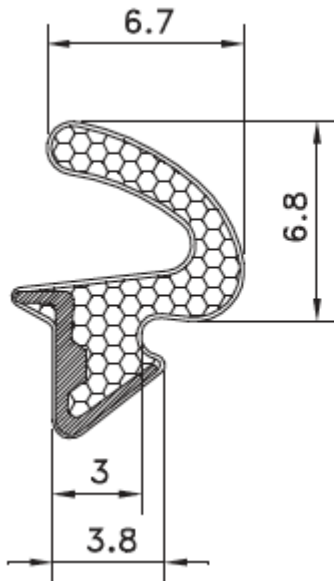


AQUAMACT™ 33



TECHNICAL SPECIFICATION: A, SEAL GAP: 4.0mm MIN to 6.4mm MAX
 B, KERF SLOT WIDTH: 2.7mm NOMINAL
 C, MINIMUM KERF SLOT DEPTH 5.5mm

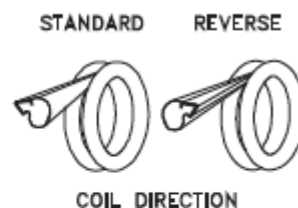
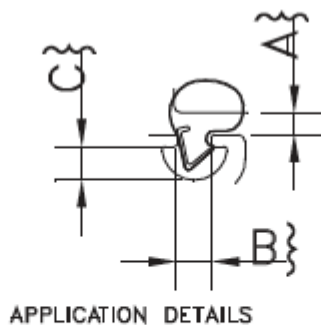
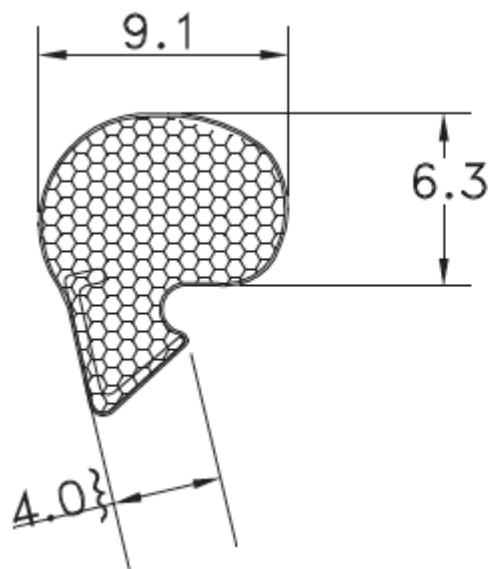
QLON™ 9107



TECHNICAL SPECIFICATION: A, SEAL GAP 1.5mm MIN to 5.6mm MAX
 B, RETENTION SLOT THROAT: 3.0mm NOMINAL
 C, MINIMUM POCKET DEPTH 3.0mm

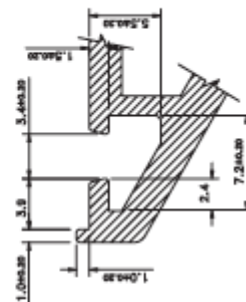
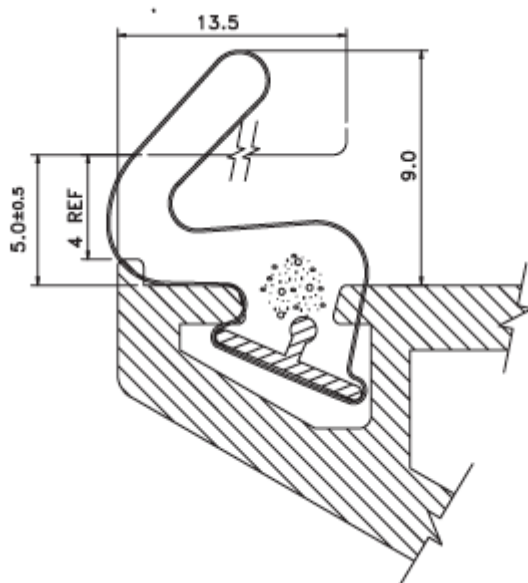
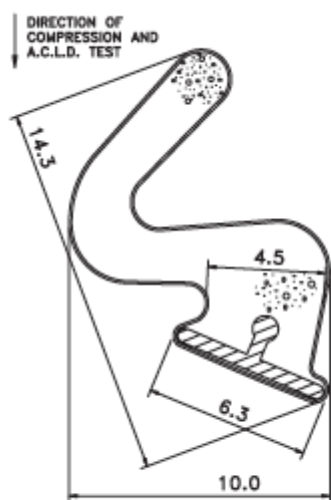


QLON™ 9596



TECHNICAL SPECIFICATION: A, SEAL GAP 2.5mm MIN to 4.0mm MAX
B, RETENTION SLOT THROAT. 3.4mm NOMINAL
C, MINIMUM POCKET DEPTH 4.0mm

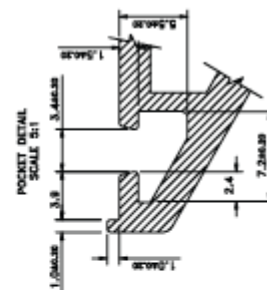
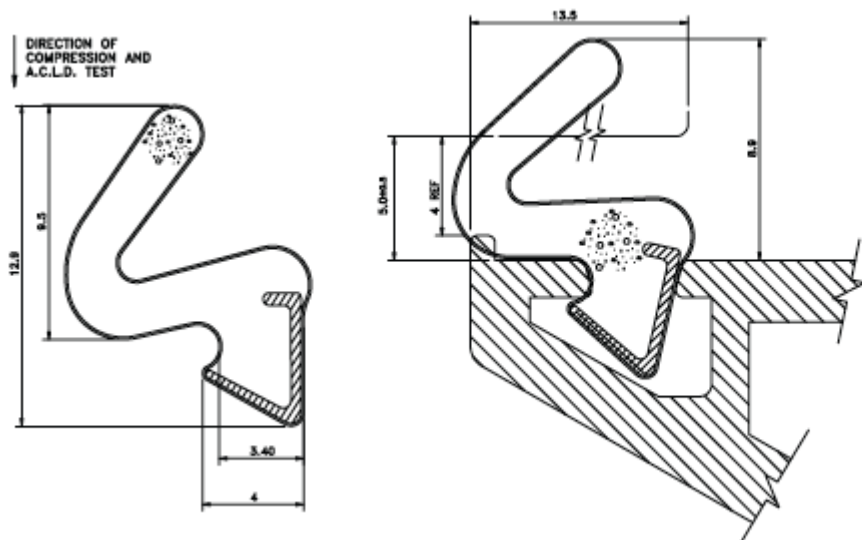
QLON™ 9926



NOTES:-
1. DIMENSIONS ARE NOMINAL UNLESS OTHERWISE STATED
2. INFORMATION GIVEN MAY CHANGE WITHOUT NOTICE
3. ACLD = 77N - 77N/100mm @ 25% COMPRESSION

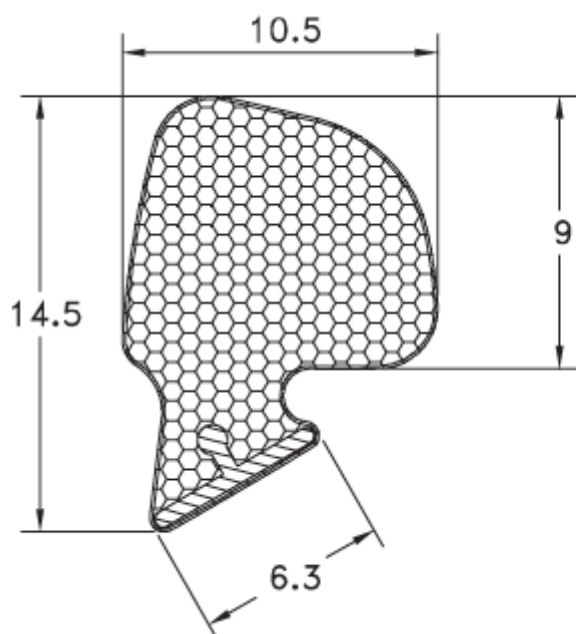


QLON™ 9928



- NOTES:-
1. DIMENSIONS ARE NOMINAL UNLESS OTHERWISE STATED
 2. INFORMATION GIVEN MAY CHANGE WITHOUT NOTICE
 3. A.C.L.D = 77H - 77H/100mm @ 25% COMPRESSION

QLON™ 9688

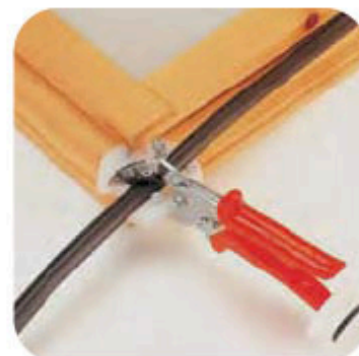


COIL DIRECTION

- TECHNICAL SPECIFICATION: A, SEAL GAP 3.0mm MIN to 4.9mm MAX
 B, RETENTION SLOT THROAT. 3.2mm NOMINAL
 C, MINIMUM POCKET DEPTH 2.5mm



QLON™ and AQUAMAC™ the ultimate weatherseal



Schlegel can offer a range of tools to aid in the use of their weatherseal range. These include:

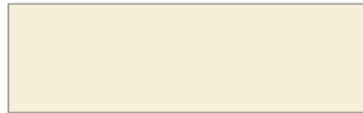
- Weatherseal pay-offs
- Insertion rollers
- Mitre cutters



WEATHERSEAL RANGE COLOUR CHART



BRONZE (RAL 8017)



WHITE (RAL 9003)



BLACK (RAL 9005)



DARK GREY
(M5 EMBOSS ONLY RAL 7002)



BEIGE (RAL 1001)



LIGHT OAK (RAL 8003)



LIGHT GREY (RAL 7035)



SILVER GREY (RAL 7001)



OCHRE BROWN (RAL 8001)



CHESTNUT BROWN (RAL 8015)



GRAPHITE GREY (RAL 7024)



FAWN BROWN (RAL 8007)



PURE WHITE (RAL 9010)

- This chart is a 'rough' guide only not to be used as an exact representation of the finished colour
- Options available

