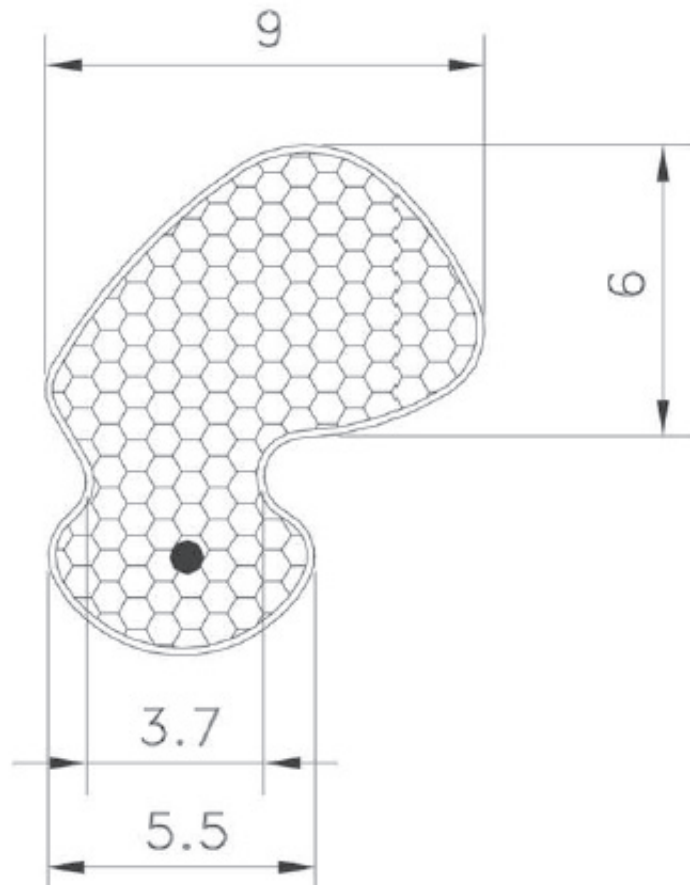




Foam Seals

[UPVC TILT AND TURN WINDOW]

Qlon - Aquamac



AQUAMAC™ and QLON™ the ultimate weatherseal

With over 50 years of global experience in the design and manufacture of outstanding window and door products, it is little wonder that Schlegel has become the industry's first choice for not only weatherseal products, but locking and security systems, handles and hardware.

The Unique Aquamac and QLON weatherseal has been developed in consultation with our customers to offer the widest range of seals possible for aluminium windows and doors. The unique design has made Aquamac and QLON impervious to paint and stain, while still providing some of the best energy saving performance characteristics currently available.

Backed by our lifetime guarantee, Aquamac and QLON will never let you or your customer down, making it a highly cost effective way of offering continuous high standards of weathersealing, year after year.

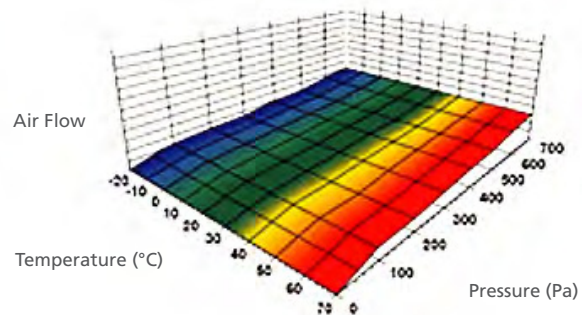


Window performance using EPDM flipper seal

OUTSTANDING ENERGY EFFICIENCY

Specially designed to meet the different demands of aluminium windows and doors, Aquamac and QLON maintains consistently high standards of energy efficiency, often exceeding any long-term window performance guarantees.

- Exceptional performance maintained over a wide temperature range. Doesn't shrink or stretch, even in extreme climatic conditions.
- Excellent memory - retains its original shape year after year to maintain a consistently high standard or weatherseal.
- Kerf tolerances have been increased and are more forgiving of your manufacturing process -2.7mm ± 0.3mm.
- Compensates for window movement.
- Lower insertion forces speed up fitting by 15%

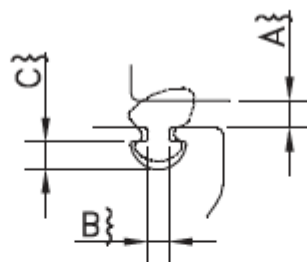
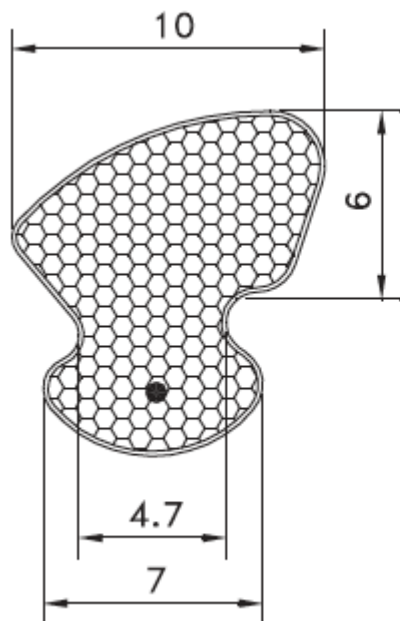


Window performance using Schlegel Aquamac and Qlon

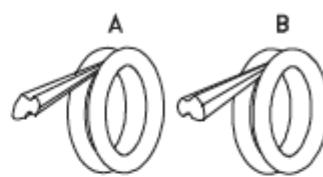
The graph shows the weather performance against competitor gaskets and demonstrates that Aquamac and Qlon provides less air leakage over a wide temperature range when compared to our competitors.



QLON™ 4465



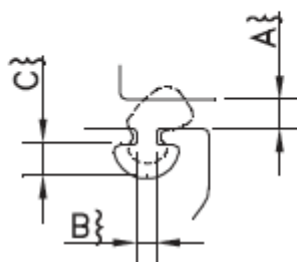
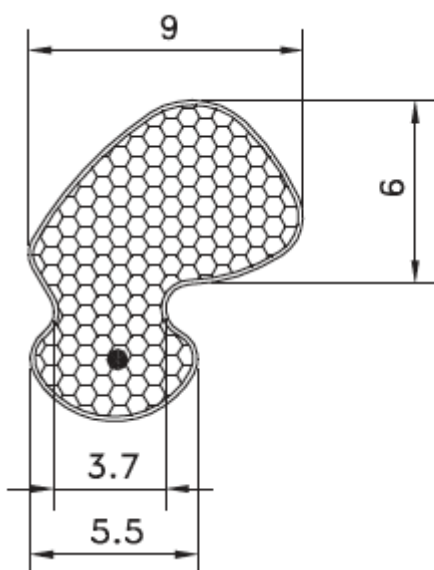
APPLICATION DETAILS



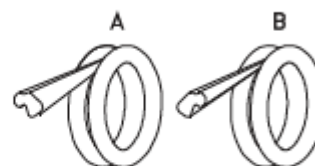
COIL DIRECTION

TECHNICAL SPECIFICATION: A, SEAL GAP 3.0mm MIN to 4.8mm MAX
 B, RETENTION SLOT THROAT. 4.2mm NOMINAL
 C, MINIMUM POCKET DEPTH 3.5mm

QLON™ 5570



APPLICATION DETAILS

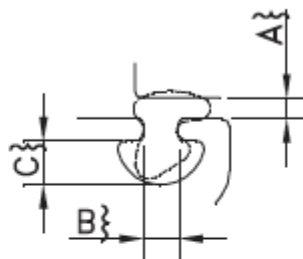
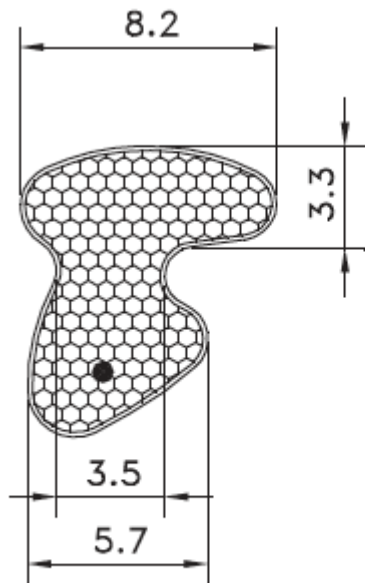


COIL DIRECTION

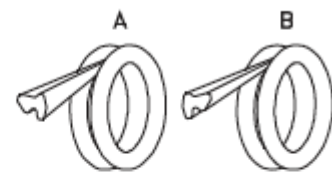
TECHNICAL SPECIFICATION: A, SEAL GAP 3.0mm MIN to 4.8mm MAX
 B, RETENTION SLOT THROAT. 3.3mm NOMINAL
 C, MINIMUM POCKET DEPTH 3.0mm



QLON™ 6347



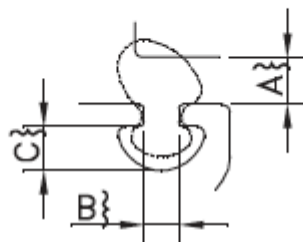
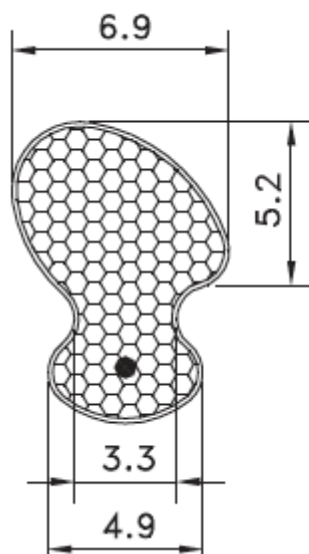
APPLICATION DETAILS



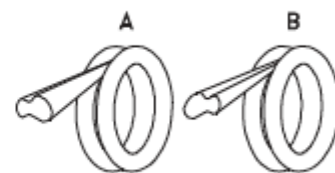
COIL DIRECTION

TECHNICAL SPECIFICATION: A, SEAL GAP 1.6mm MIN to 2.6mm MAX
 B, RETENTION SLOT THROAT. 3.5mm NOMINAL
 C, MINIMUM POCKET DEPTH 4.5mm

QLON™ 6436



APPLICATION DETAILS

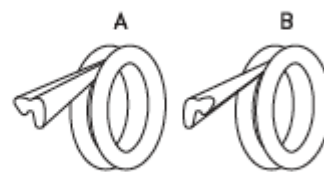
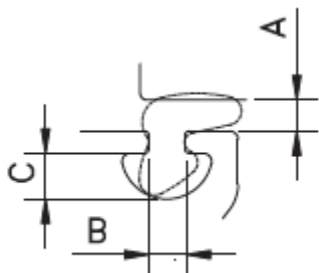
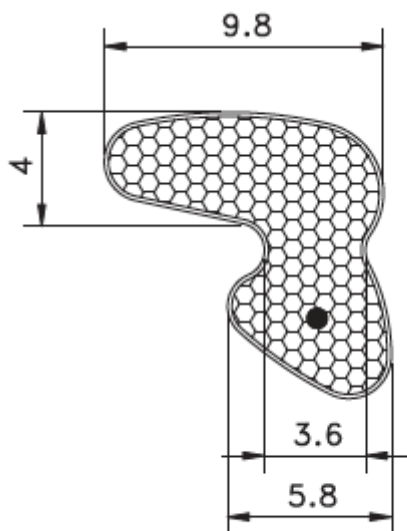


COIL DIRECTION

TECHNICAL SPECIFICATION: A, SEAL GAP 2.6mm MIN to 4.2mm MAX
 B, RETENTION SLOT THROAT. 3.5mm NOMINAL
 C, MINIMUM POCKET DEPTH 2.5mm



QLON™ 6493

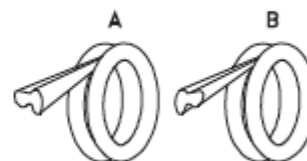
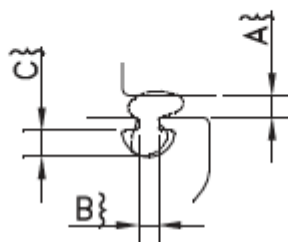
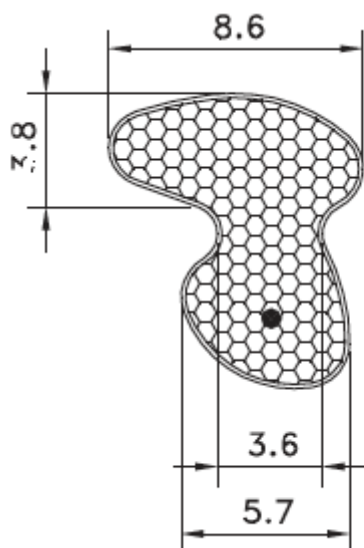


COIL DIRECTION

APPLICATION DETAILS

TECHNICAL SPECIFICATION: A, SEAL GAP 2.0mm MIN to 3.2mm MAX
 B, RETENTION SLOT THROAT. 3.5mm NOMINAL
 C, MINIMUM POCKET DEPTH 4.5mm

QLON™ 6517



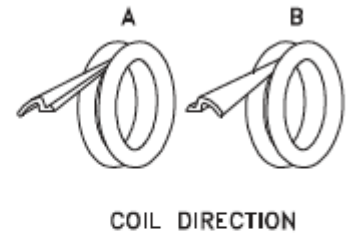
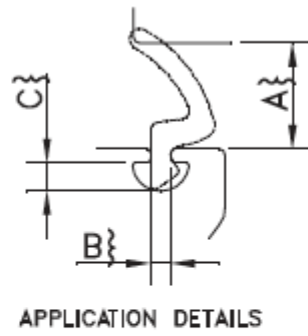
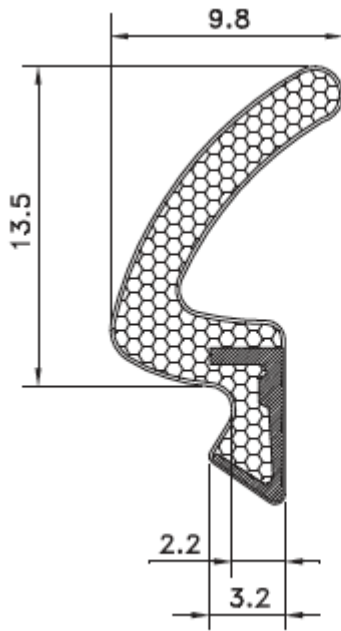
COIL DIRECTION

APPLICATION DETAILS

TECHNICAL SPECIFICATION: A, SEAL GAP 1.9mm MIN to 3.2mm MAX
 B, RETENTION SLOT THROAT. 3.9mm NOMINAL
 C, MINIMUM POCKET DEPTH 4.5mm



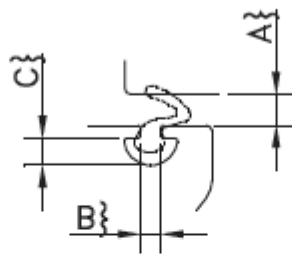
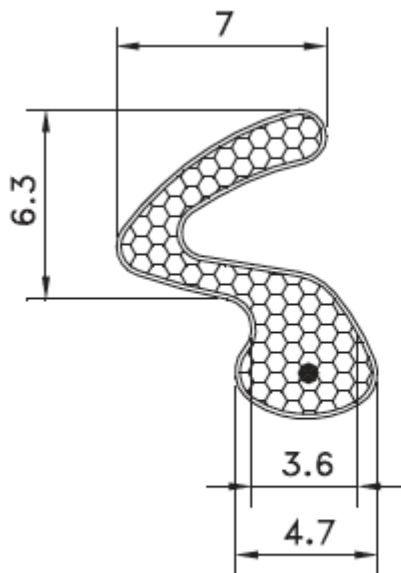
QLON™ 7000



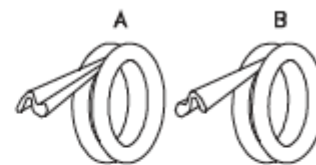
TECHNICAL SPECIFICATION: A, SEAL GAP 4.0mm MIN to 10.8mm MAX
B, RETENTION SLOT THROAT. 2.4mm NOMINAL
C, MINIMUM POCKET DEPTH 4.5mm



QLON™ 7032

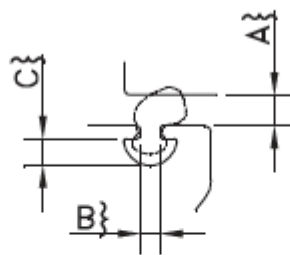
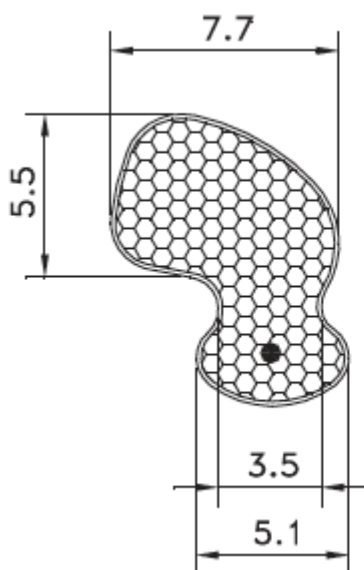


APPLICATION DETAILS

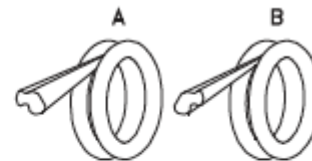


TECHNICAL SPECIFICATION: A, SEAL GAP 1.5mm MIN to 5.1mm MAX
 B, RETENTION SLOT THROAT. 3.0mm NOMINAL
 C, MINIMUM POCKET DEPTH 2.5mm

QLON™ 7307



APPLICATION DETAILS

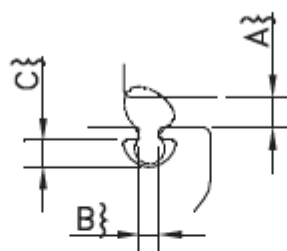
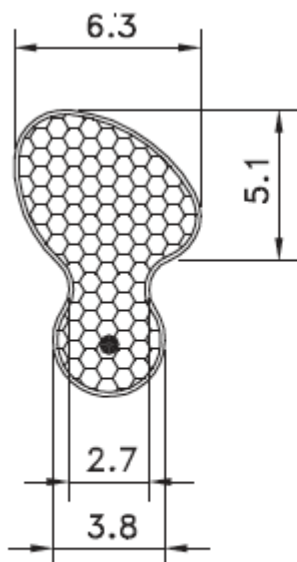


COIL DIRECTION

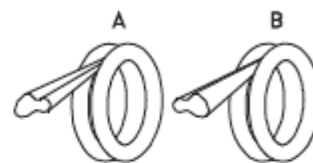
TECHNICAL SPECIFICATION: A, SEAL GAP 2.8mm MIN to 4.4mm MAX
 B, RETENTION SLOT THROAT. 3.2mm NOMINAL
 C, MINIMUM POCKET DEPTH 2.5mm



QLON™ 9005



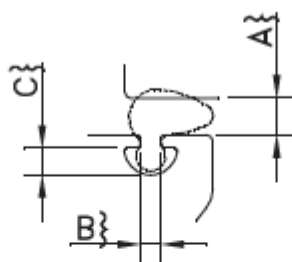
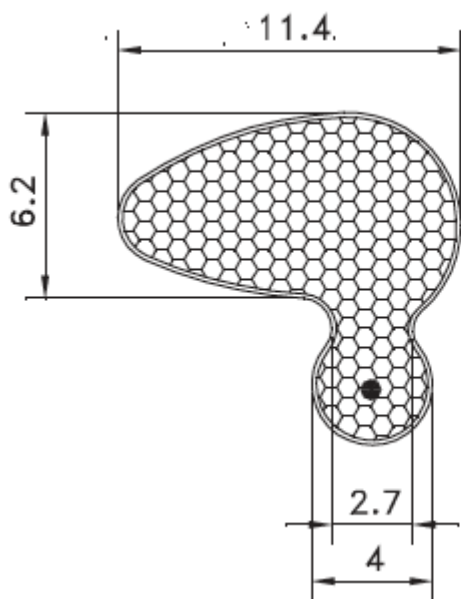
APPLICATION DETAILS



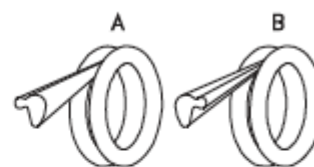
COIL DIRECTION

TECHNICAL SPECIFICATION: A, SEAL GAP 2.5mm MIN to 4.1mm MAX
 B, RETENTION SLOT THROAT. 2.4mm NOMINAL
 C, MINIMUM POCKET DEPTH 3.0mm

QLON™ 9100



APPLICATION DETAILS

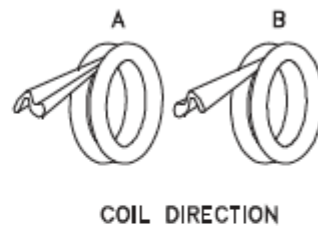
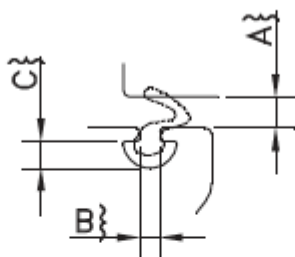
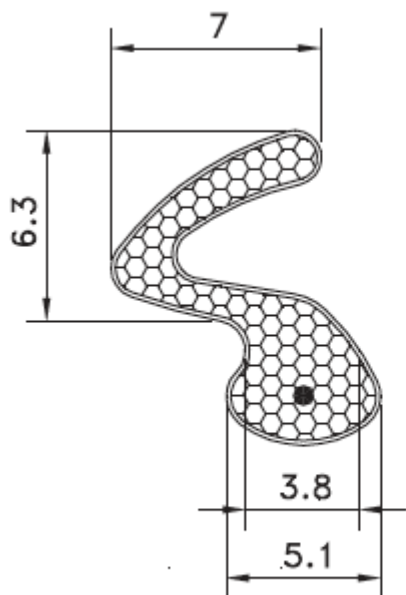


COIL DIRECTION

TECHNICAL SPECIFICATION: A, SEAL GAP 3.1mm MIN to 5.0mm MAX
 B, RETENTION SLOT THROAT. 2.0mm NOMINAL
 C, MINIMUM POCKET DEPTH 3.0mm

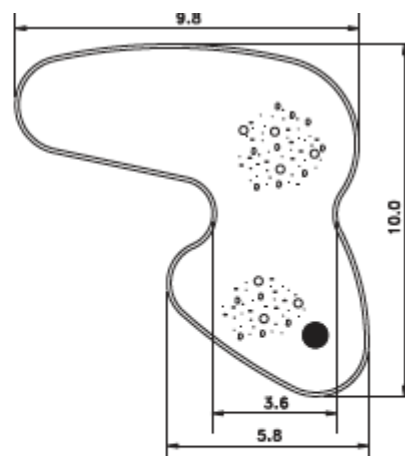
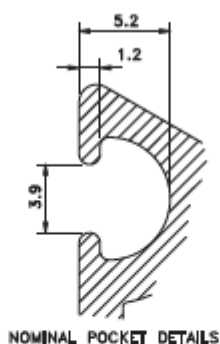
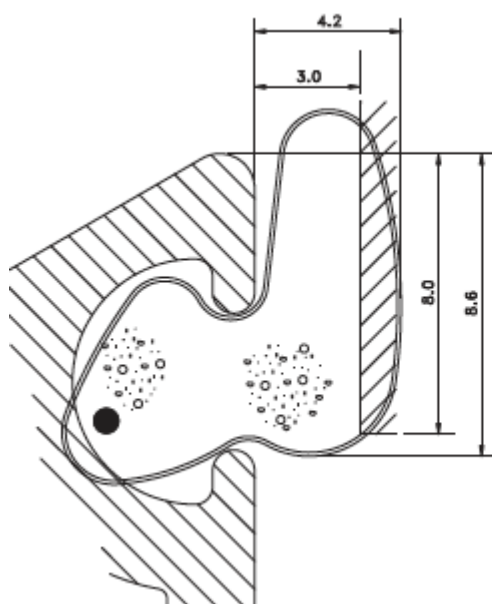


QLON™ 9101



TECHNICAL SPECIFICATION: A, SEAL GAP 1.5mm MIN to 5.1mm MAX
 B, RETENTION SLOT THROAT. 3.2mm NOMINAL
 C, MINIMUM POCKET DEPTH 2.5mm

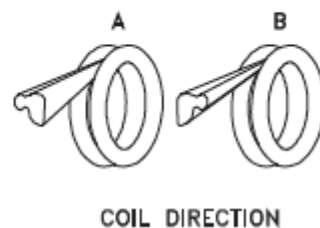
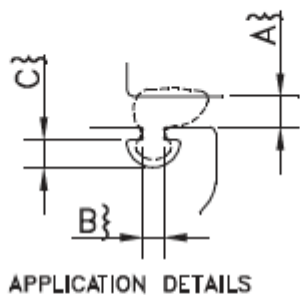
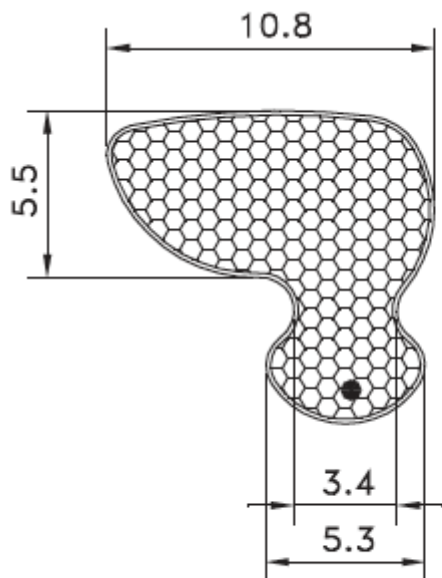
QLON™ 9103



NOTES:-
 1, DIMENSIONS ARE NOMINAL UNLESS OTHERWISE STATED
 2, INFORMATION GIVEN MAY CHANGE WITHOUT NOTICE

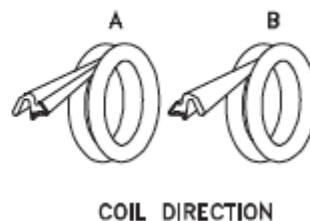
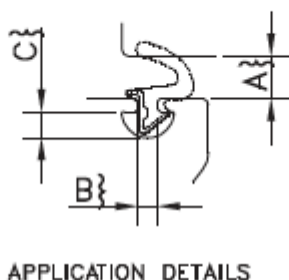
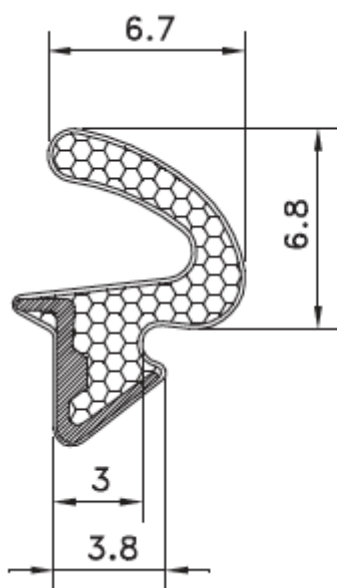


QLON™ 9106



TECHNICAL SPECIFICATION: A, SEAL GAP 2.7mm MIN to 5.1mm MAX
 B, RETENTION SLOT THROAT. 3.2mm NOMINAL
 C, MINIMUM POCKET DEPTH 2.5mm

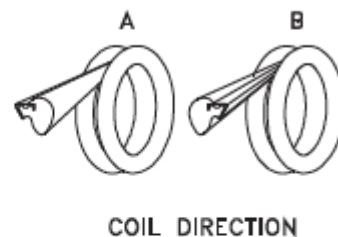
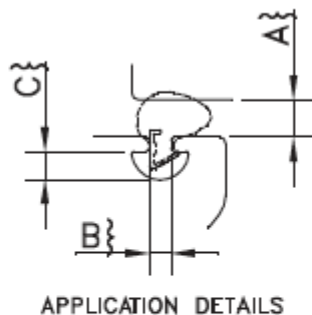
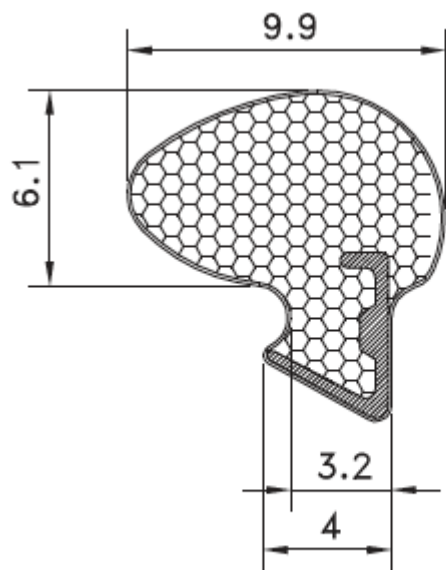
QLON™ 9107



TECHNICAL SPECIFICATION: A, SEAL GAP 1.5mm MIN to 5.6mm MAX
 B, RETENTION SLOT THROAT. 3.0mm NOMINAL
 C, MINIMUM POCKET DEPTH 3.0mm

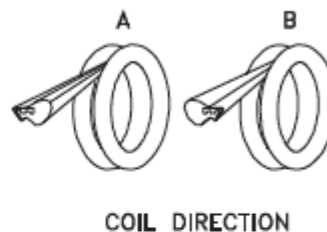
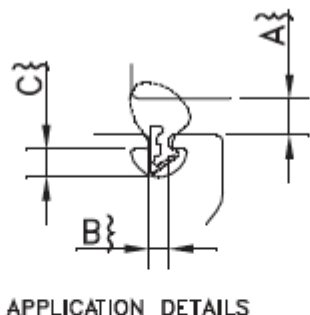
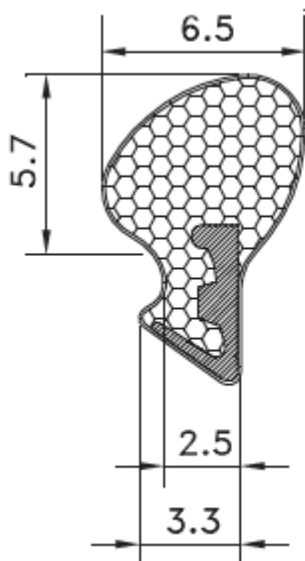


QLON™ 9112



TECHNICAL SPECIFICATION: A, SEAL GAP 3.0mm MIN to 4.9mm MAX
 B, RETENTION SLOT THROAT. 3.2mm NOMINAL
 C, MINIMUM POCKET DEPTH 2.5mm

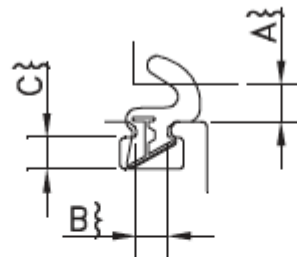
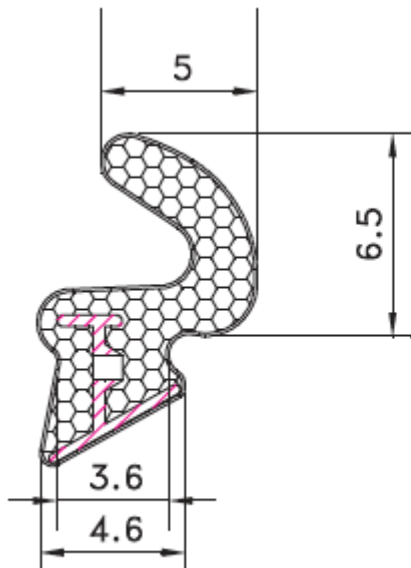
QLON™ 9113



TECHNICAL SPECIFICATION: A, SEAL GAP 2.8mm MIN to 4.6mm MAX
 B, RETENTION SLOT THROAT. 2.4mm NOMINAL
 C, MINIMUM POCKET DEPTH 2.5mm



QLON™ 9419



APPLICATION DETAILS

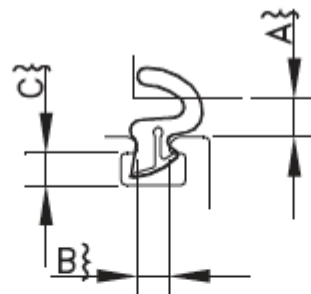
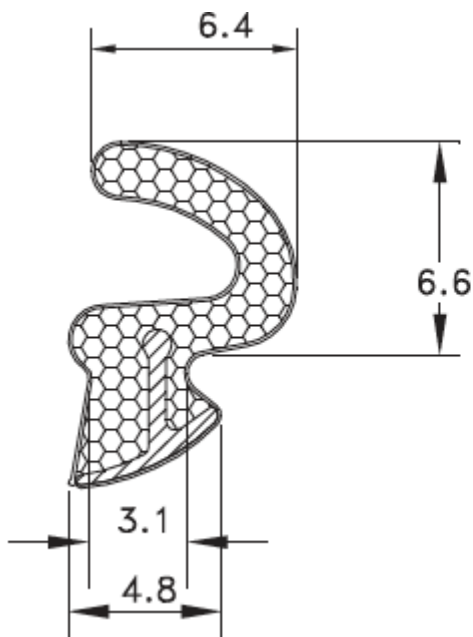
COIL DIRECTION



A:--STANDARD B:--REVERSED

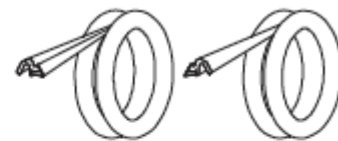
TECHNICAL SPECIFICATION: A, SEAL GAP 2.5mm MIN to 4.5mm MAX
 B, RETENTION SLOT THROAT. 3.0mm NOMINAL
 C, MINIMUM POCKET DEPTH 2.7mm

QLON™ 9426



APPLICATION DETAILS

COIL DIRECTION

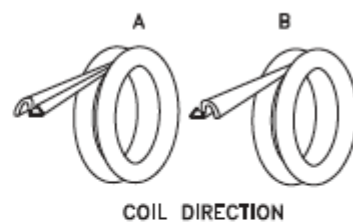
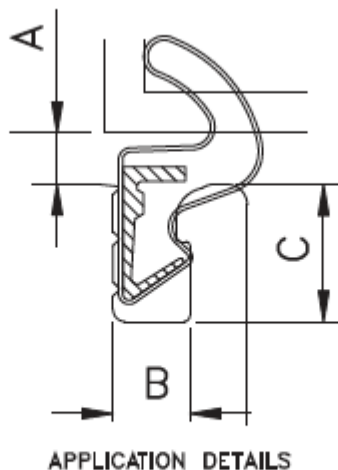
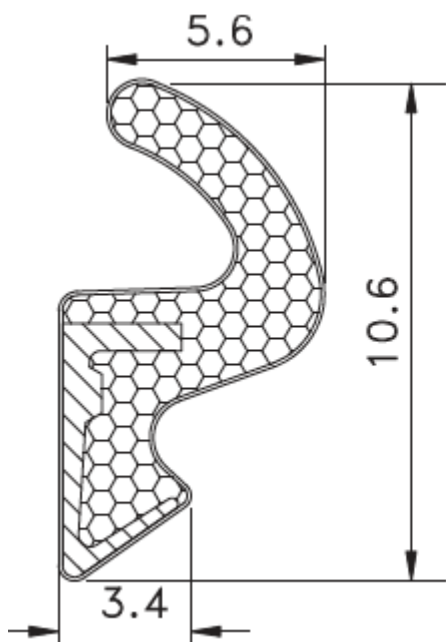


A:--STANDARD B:--REVERSED

TECHNICAL SPECIFICATION: A, SEAL GAP 2.5mm MIN to 4.5mm MAX
 B, RETENTION SLOT THROAT. 3.0mm NOMINAL
 C, MINIMUM POCKET DEPTH 2.7mm

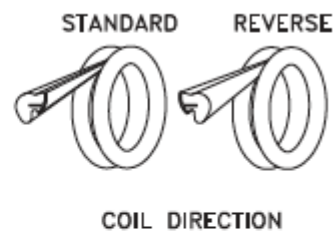
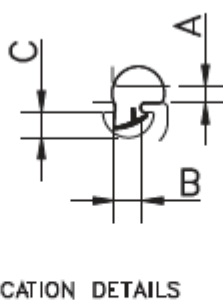
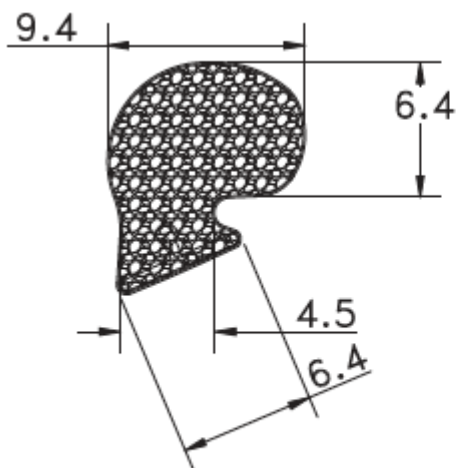


QLON™ 9480



TECHNICAL SPECIFICATION: A, SEAL GAP 2.5mm MIN to 4.5mm MAX
 B, RETENTION SLOT THROAT. 2.7mm NOMINAL
 C, MINIMUM POCKET DEPTH 5.5mm

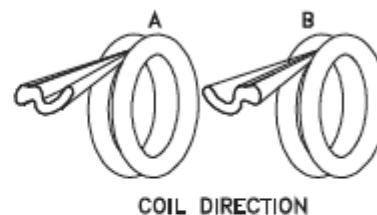
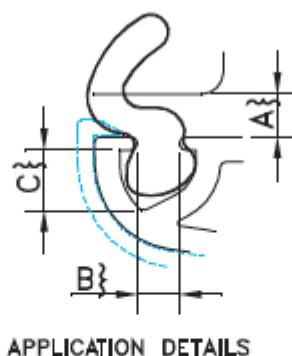
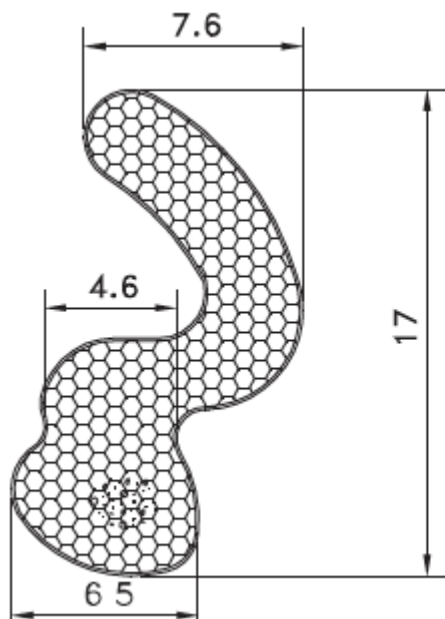
QLON™ 9489



TECHNICAL SPECIFICATION: A, SEAL GAP 2.5mm MIN to 4.0mm MAX
 B, RETENTION SLOT THROAT. 3.4mm NOMINAL
 C, MINIMUM POCKET DEPTH 4.0mm

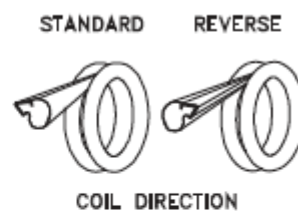
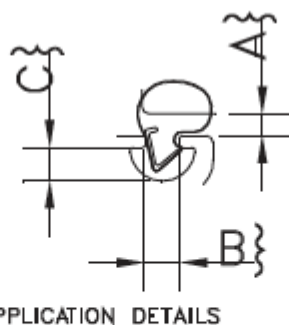
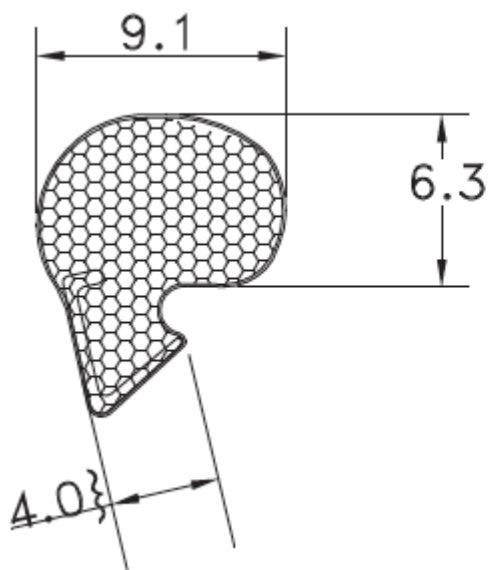


QLON™ 9536



TECHNICAL SPECIFICATION: A, SEAL GAP 2.5mm MIN to 4.0mm MAX
 B, RETENTION SLOT THROAT. 3.9mm NOMINAL
 C, MINIMUM POCKET DEPTH 5.6mm

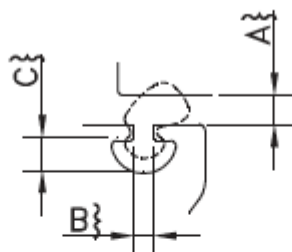
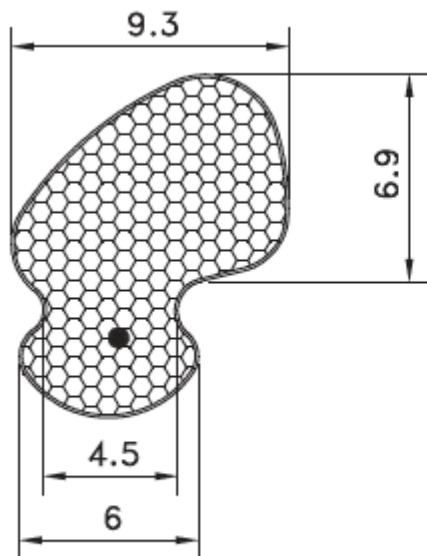
QLON™ 9596



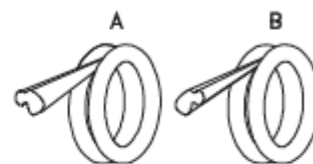
TECHNICAL SPECIFICATION: A, SEAL GAP 2.5mm MIN to 4.0mm MAX
 B, RETENTION SLOT THROAT. 3.4mm NOMINAL
 C, MINIMUM POCKET DEPTH 4.0mm



QLON™ 9619



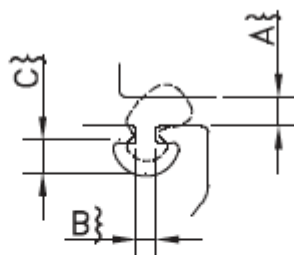
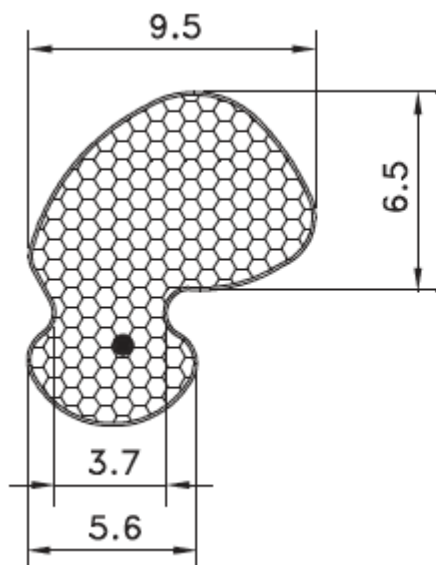
APPLICATION DETAILS



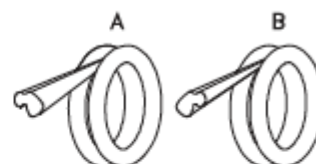
COIL DIRECTION

TECHNICAL SPECIFICATION: A, SEAL GAP 3.5mm MIN to 5.5mm MAX
 B, RETENTION SLOT THROAT. 3.3mm NOMINAL
 C, MINIMUM POCKET DEPTH 3.0mm

QLON™ 9646



APPLICATION DETAILS

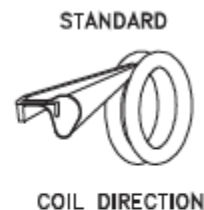
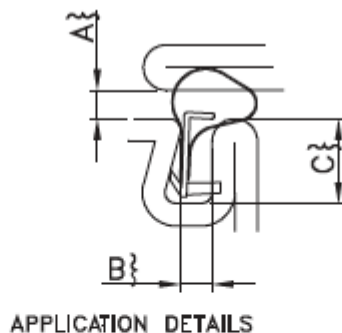
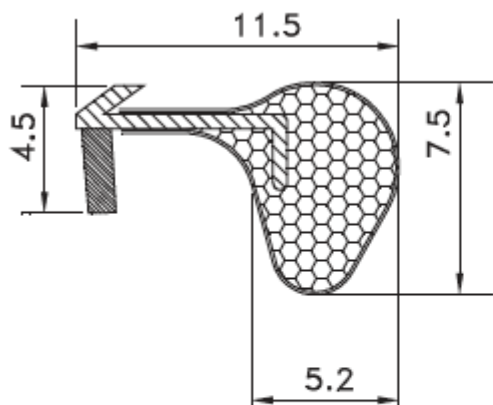


COIL DIRECTION

TECHNICAL SPECIFICATION: A, SEAL GAP 3.5mm MIN to 5.5mm MAX
 B, RETENTION SLOT THROAT. 3.3mm NOMINAL
 C, MINIMUM POCKET DEPTH 3.0mm

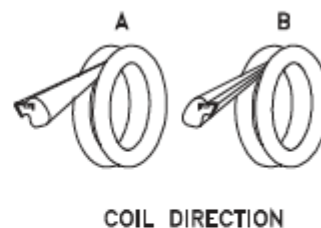
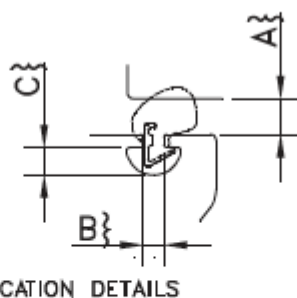
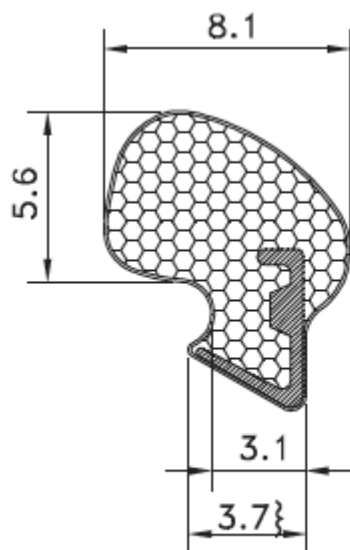


QLON™ 9650



TECHNICAL SPECIFICATION: A, SEAL GAP 1.0mm MIN to 3.0mm MAX
 B, RETENTION SLOT THROAT. 2.8mm NOMINAL
 C, MINIMUM POCKET DEPTH 7.0mm

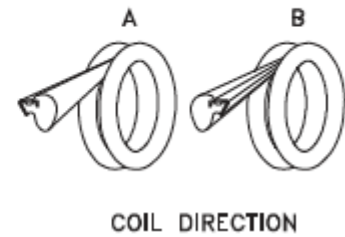
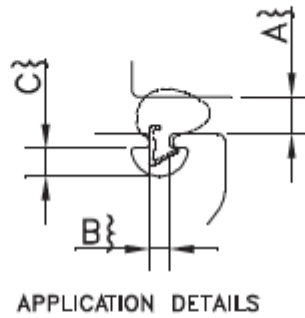
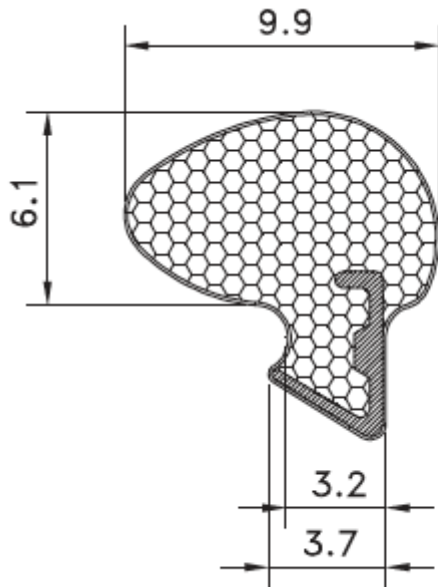
QLON™ 9665



TECHNICAL SPECIFICATION: A, SEAL GAP 2.8mm MIN to 4.5mm MAX
 B, RETENTION SLOT THROAT. 3.2mm NOMINAL
 C, MINIMUM POCKET DEPTH 3.5mm

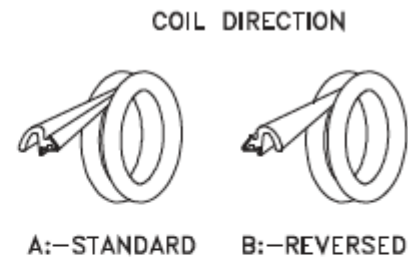
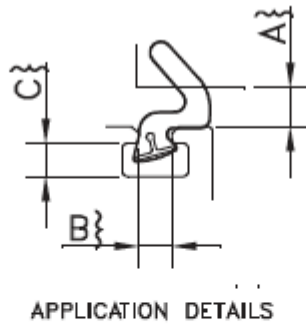
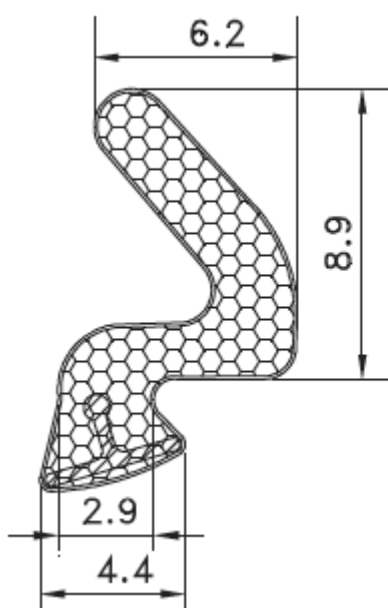


QLON™ 9667 (QL9668)



TECHNICAL SPECIFICATION: A, SEAL GAP 3.0mm MIN to 4.9mm MAX
 B, RETENTION SLOT THROAT. 3.2mm NOMINAL
 C, MINIMUM POCKET DEPTH 2.5mm

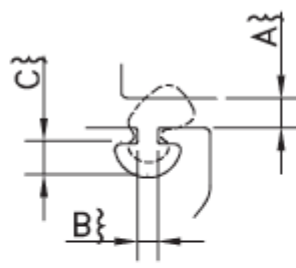
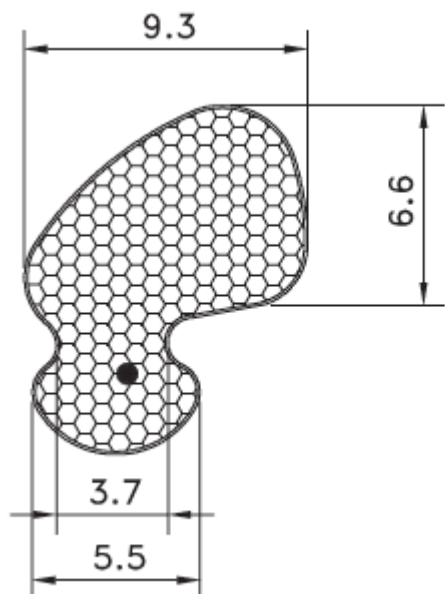
QLON™ 9688



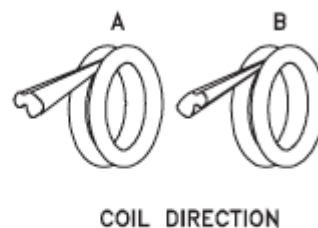
TECHNICAL SPECIFICATION: A, SEAL GAP 3.0mm MIN to 7.0mm MAX
 B, RETENTION SLOT THROAT. 2.5mm NOMINAL
 C, MINIMUM POCKET DEPTH 2.7mm



QLON™ 9710

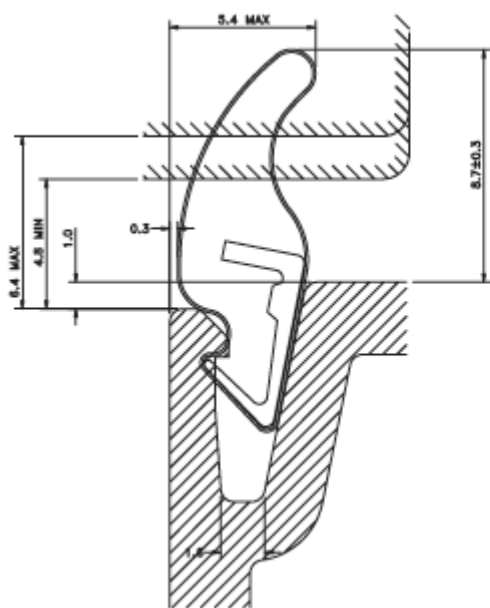


APPLICATION DETAILS



TECHNICAL SPECIFICATION: A, SEAL GAP 3.0mm MIN to 5.5mm MAX
 B, RETENTION SLOT THROAT. 3.3mm NOMINAL
 C, MINIMUM POCKET DEPTH 3.0mm

QLON™ 9821



COIL DIRECTION OF
 STANDARD Q-LON 9821 (A)
 PT No. 02798210/1/2/6/8



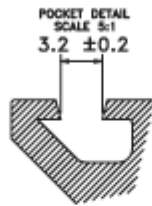
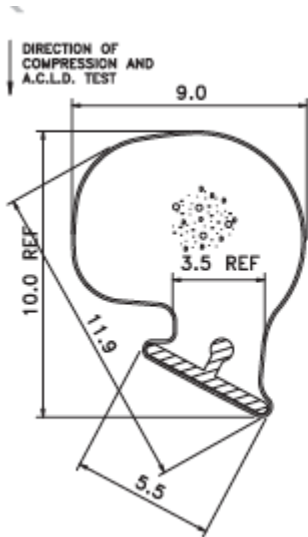
COIL DIRECTION OF
 REVERSED Q-LON 9821 (B)
 PT No. 02798214

NOTES:-

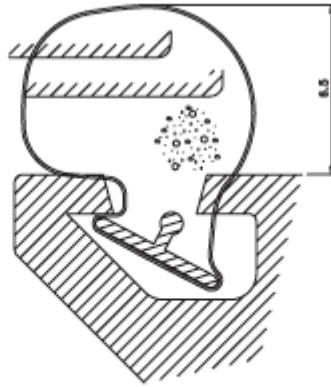
1. DIMENSIONS ARE NOMINAL UNLESS OTHERWISE STATED
2. INFORMATION GIVEN MAY CHANGE WITHOUT NOTICE



QLON™ 9898



APPLICATION DETAILS



COIL DIRECTION OF
"BLUE LABEL" = QLON
9898
PT No. 02798982
(BLACK, 700m C/COIL)
EUROCELL P/No
6805092R

STD PKG 02798992



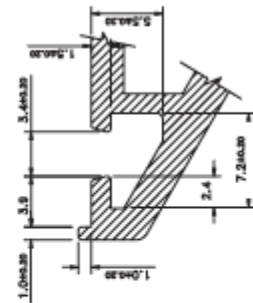
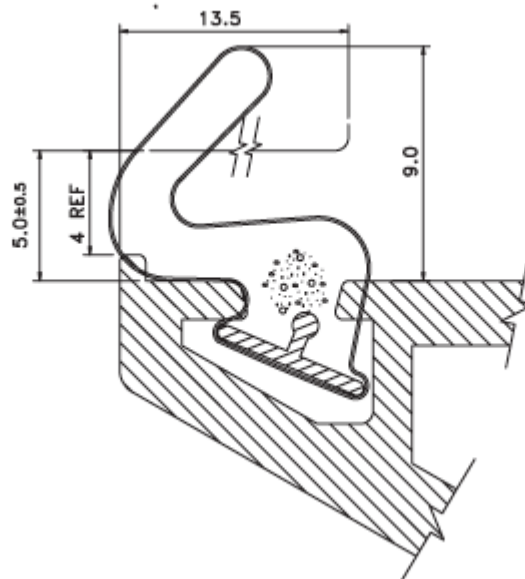
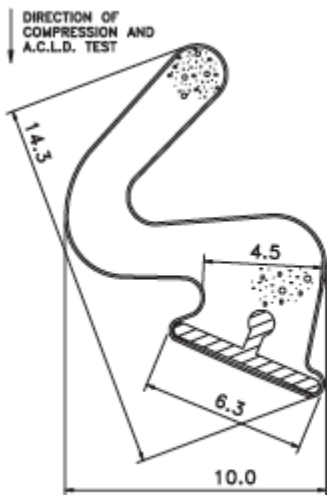
COIL DIRECTION OF
"BROWN LABEL" = QLON
9898
PT No. 02798972
(BLACK, 700m C/COIL)
EUROCELL P/No
6805092L

STD PKG REV 02798902

NOTES:-

1. DIMENSIONS ARE NOMINAL UNLESS OTHERWISE STATED
2. INFORMATION GIVEN MAY CHANGE WITHOUT NOTICE
3. ACLD = 9.0N - 15.0N/100mm @ 25% COMPRESSION

QLON™ 9926

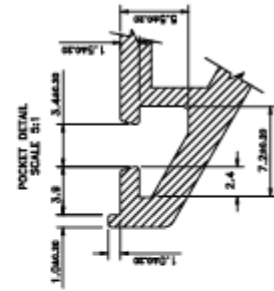
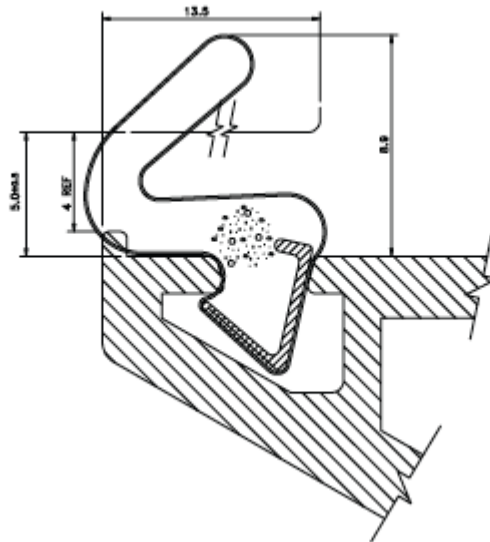
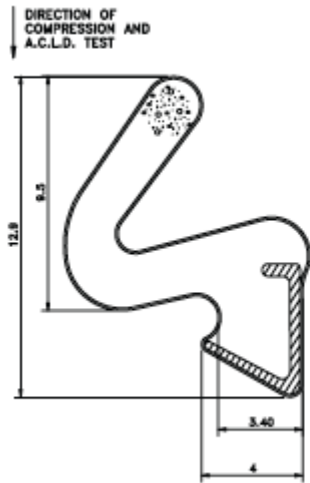


NOTES:-

1. DIMENSIONS ARE NOMINAL UNLESS OTHERWISE STATED
2. INFORMATION GIVEN MAY CHANGE WITHOUT NOTICE
3. ACLD = 77N - 77N/100mm @ 25% COMPRESSION

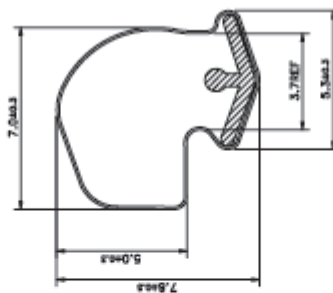
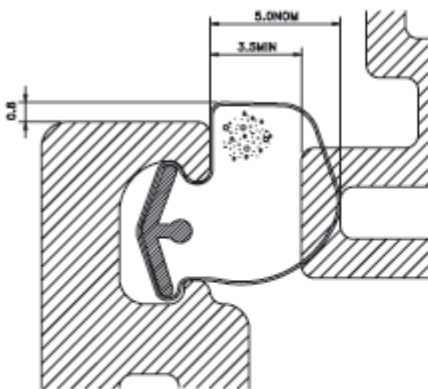


QLON™ 9928



- NOTES:-
1. DIMENSIONS ARE NOMINAL UNLESS OTHERWISE STATED
 2. INFORMATION GIVEN MAY CHANGE WITHOUT NOTICE
 3. ACLD = 77N - 77N/100mm @ 25% COMPRESSION

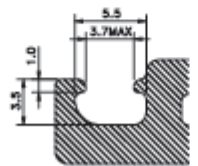
QLON™ 9941



COIL DIRECTION OF STANDARD Q-LON 9941
PT No. 02799410/2
(WHITE / BLACK)



COIL DIRECTION OF REVERSED Q-LON 9941
PT No. 02799310/2
(WHITE / BLACK)

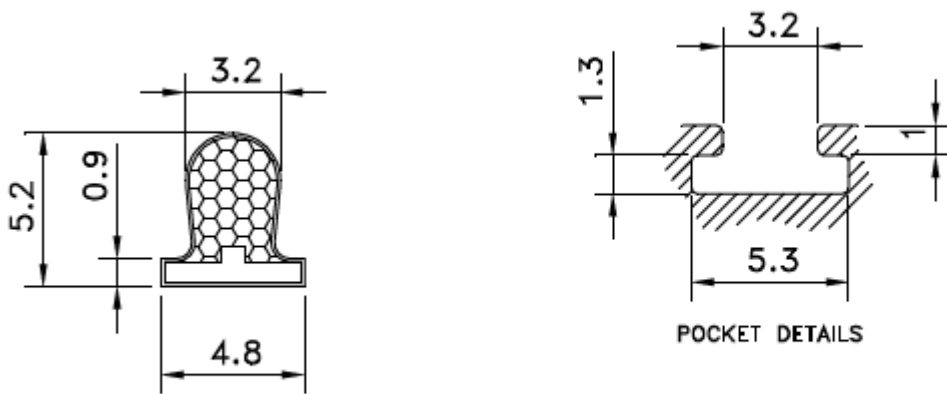


NOMINAL KERF FIX DIMS

- NOTES:-
1. DIMENSIONS ARE NOMINAL UNLESS OTHERWISE STATED
 2. INFORMATION ON DRAWING MAY CHANGE WITHOUT NOTICE
 3. ACLD SPEC TO BE 5-13N/100mm @ 25% COMPRESSION

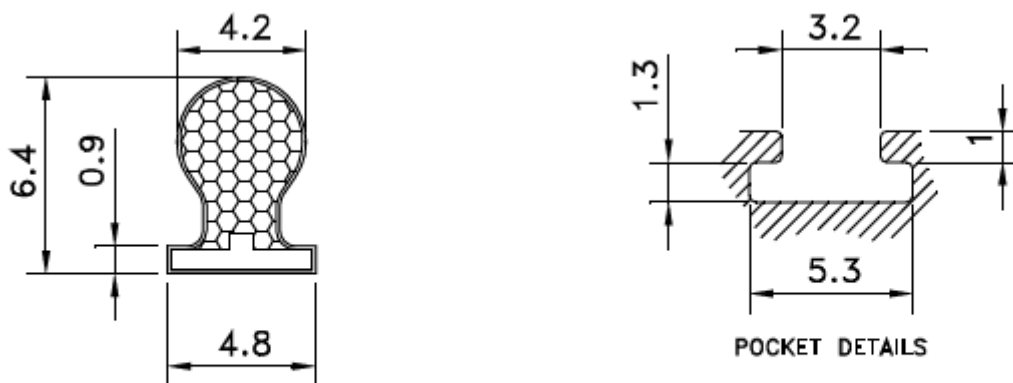


QLON™ 48510



TECHNICAL SPECIFICATION: A, SEAL GAP: 1.1mm MIN to 2.4mm MAX

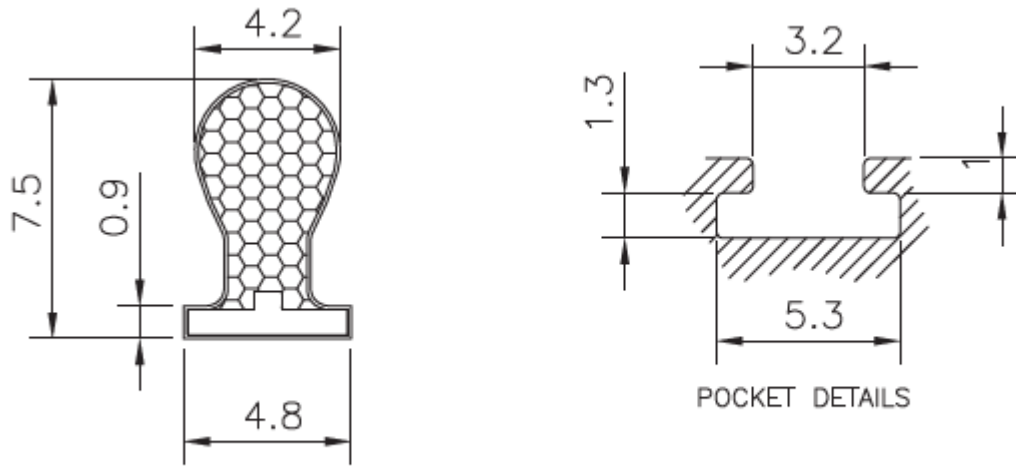
QLON™ 48650



TECHNICAL SPECIFICATION: A, SEAL GAP 1.8mm MIN to 3.4mm MAX

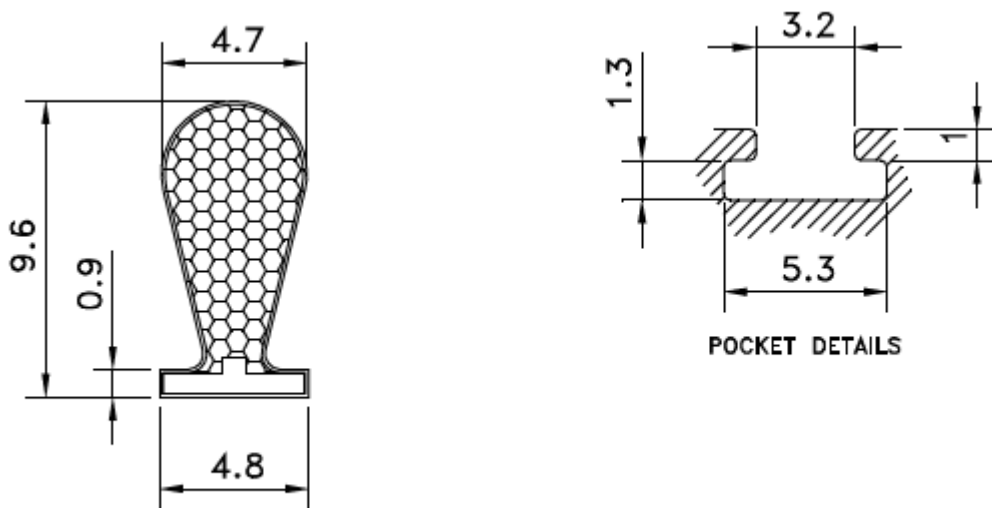


QLON™ 48750



TECHNICAL SPECIFICATION: A, SEAL GAP 2.7mm MIN to 4.6mm MAX

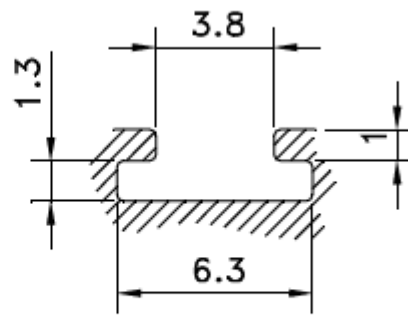
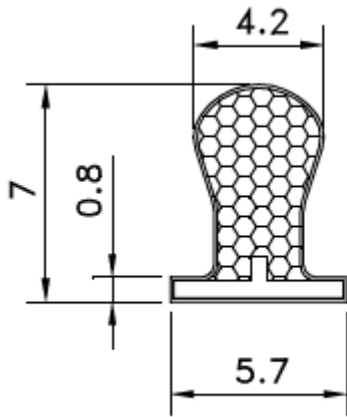
QLON™ 48950



TECHNICAL SPECIFICATION: A, SEAL GAP 4.0mm MIN to 6.4mm MAX

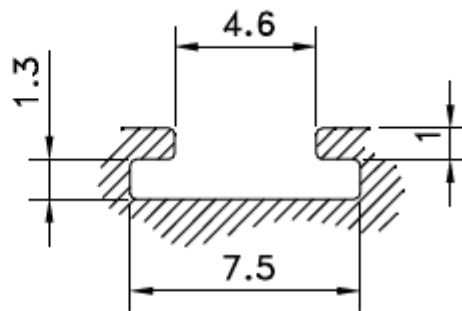
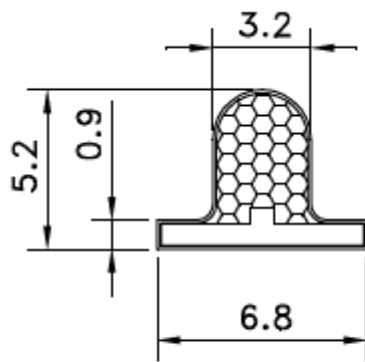


QLON™ 57700



TECHNICAL SPECIFICATION: A, SEAL GAP: 2.3mm MIN to 4.0mm MAX

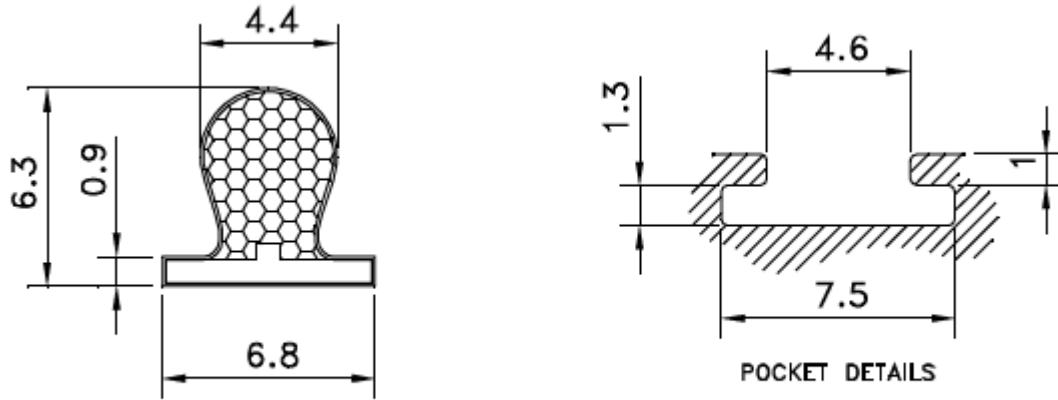
QLON™ 69510



TECHNICAL SPECIFICATION: A, SEAL GAP: 1.1mm MIN to 2.4mm MAX

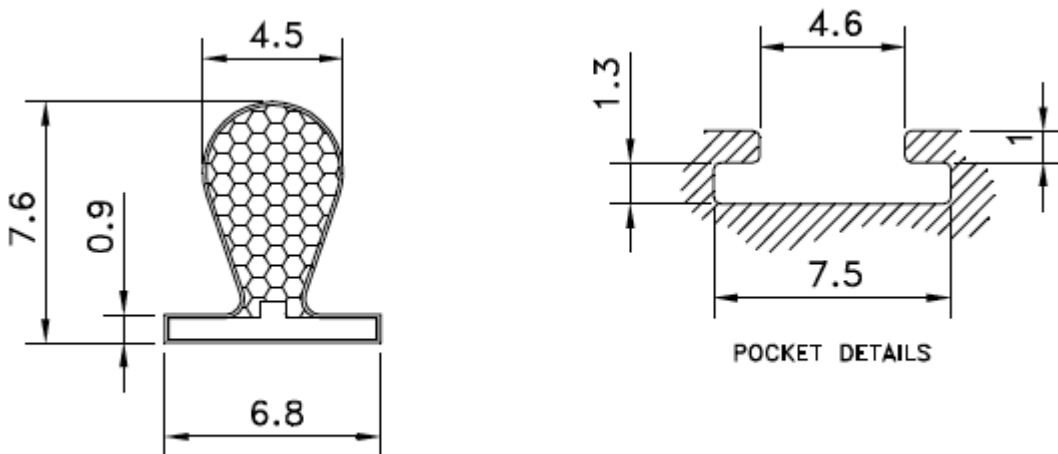


QLON™ 69650



TECHNICAL SPECIFICATION: A, SEAL GAP: 1.8mm MIN to 3.4mm MAX

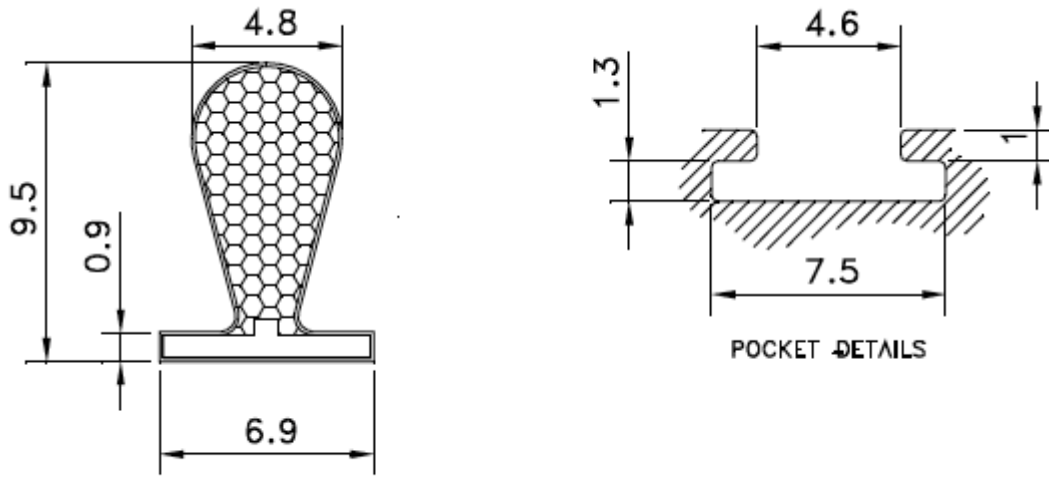
QLON™ 69750



TECHNICAL SPECIFICATION: A, SEAL GAP: 2.7mm MIN to 4.6mm MAX



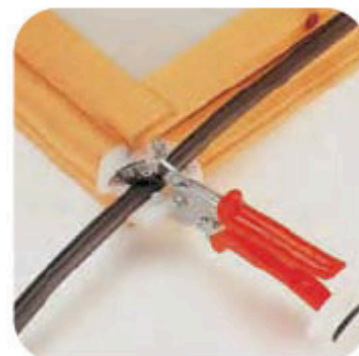
QLON™ 69950



TECHNICAL SPECIFICATION: A, SEAL GAP. 3.9mm MIN to 6.3mm MAX



QLON™ and AQUAMAC™ the ultimate weatherseal



Schlegel can offer a range of tools to aid in the use of their weatherseal range. These include:

- Weatherseal pay-offs
- Insertion rollers
- Mitre cutters



WEATHERSEAL RANGE COLOUR CHART



BRONZE (RAL 8017)



WHITE (RAL 9003)



BLACK (RAL 9005)



DARK GREY
(M5 EMOSS ONLY RAL 7002)



BEIGE (RAL 1001)



LIGHT OAK (RAL 8003)



LIGHT GREY (RAL 7035)



SILVER GREY (RAL 7001)



OCHRE BROWN (RAL 8001)



CHESTNUT BROWN (RAL 8015)



GRAPHITE GREY (RAL 7024)



FAWN BROWN (RAL 8007)



PURE WHITE (RAL 9010)

- This chart is a 'rough' guide only not to be used as an exact representation of the finished colour
- Options available

