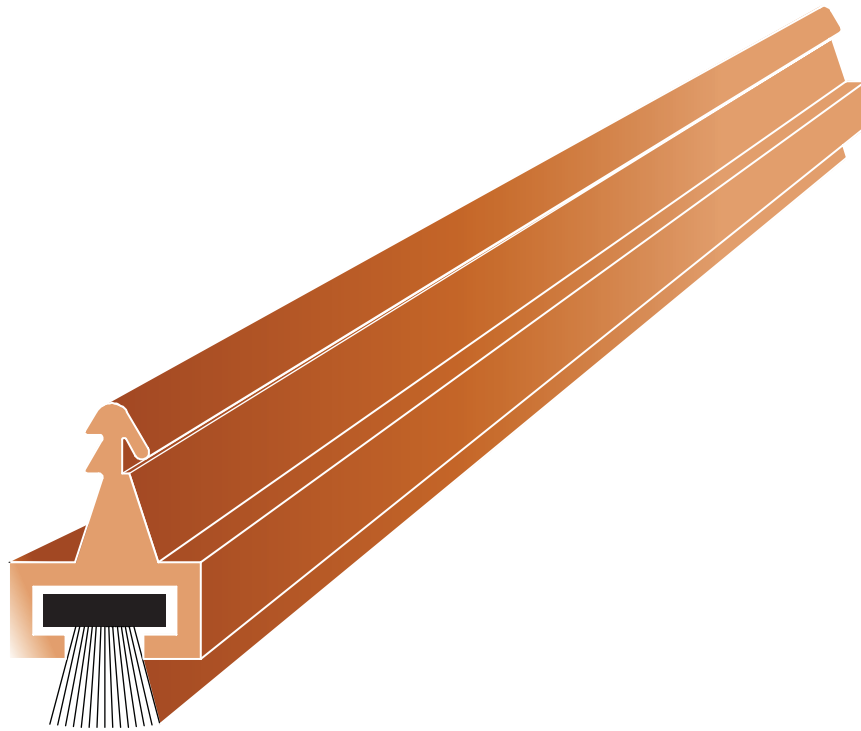




grouphomesafe▲

Pile Seals

[TIMBER TILT & TURN WINDOWS]



Kerf + Pile Weatherseal

Product Name kerf + Pile Weatherseal

Shape Reference nr EX018bis

Product Description Kerf pile weatherseal is made of a rigid barbed profile, with a classic pile weatherstrip with or without centre fin heatwelded onto the profile.

Application Sliding and sweeping seal in wood windows or doors.

Materials Profile: Rigid, extruded 100% polpropylene.
Brush: Woven multifilament Pile Weatherseal 100% polpropylene.

Properties Brush heights from 5mm up to 25mm.
Brush density: Standard 3P or Dense 4P
Optional fin: height flush with brush, or up to 3mm above.
Optional fin: standard opaque polypropylene or silent black non woven.

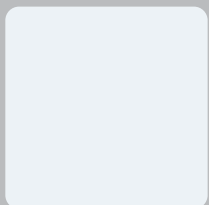
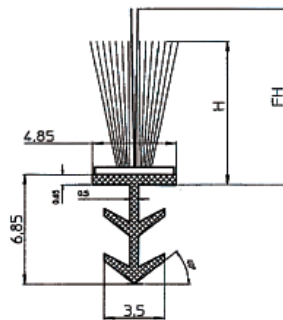
Colours Profile: Black, Grey, White, Lightoak/Beige, Darkbrown
Pile seal: Black, Grey, White, Lightoak/Beige, Darkbrown
pile backing colour is white unless otherwise specified.

Packaging

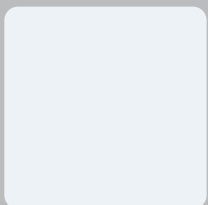
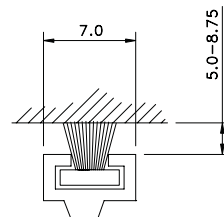
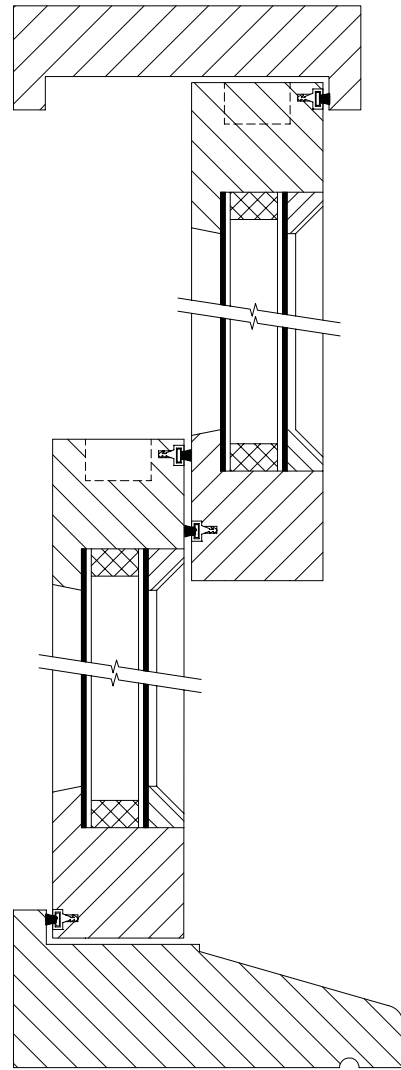
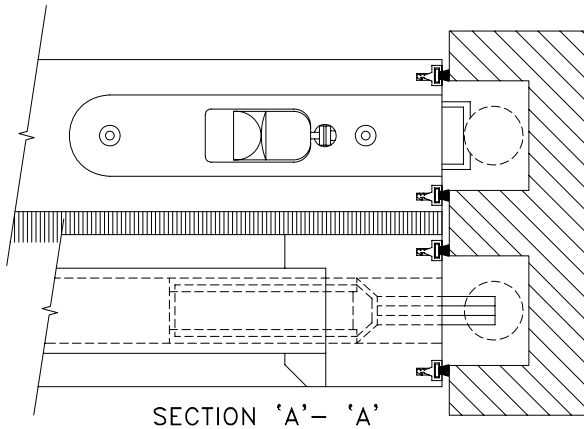
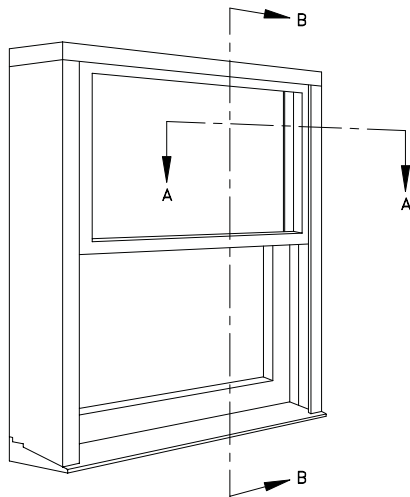
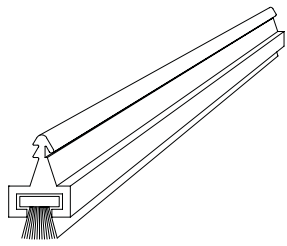
- Coiled & boxed: Ex: 250m/coil 2*250m/box
- Cut to required length & boxed. Ex: Length=2150mm, 300pcs/box. Quantity depends on brush height.

Ordering Kerf+Pile. EX018bis black.
Pile black 3P density., height H = 10mm. Fin height FH+12mm
Cut to length 2150mm±5 & boxed.

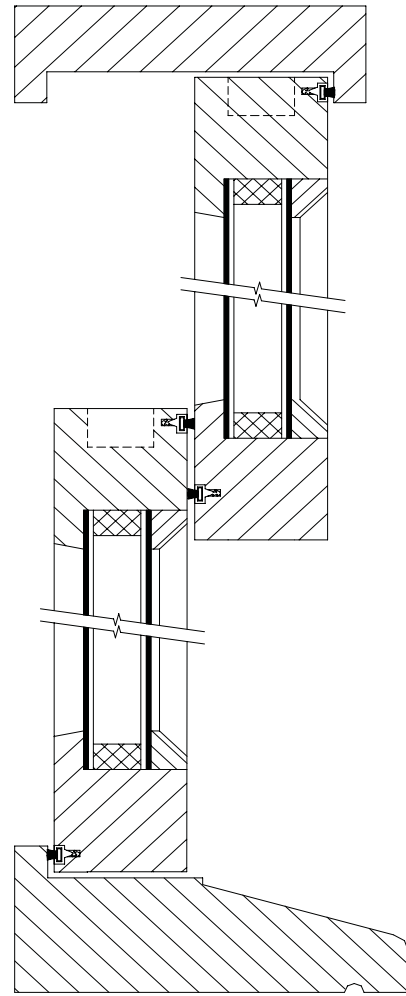
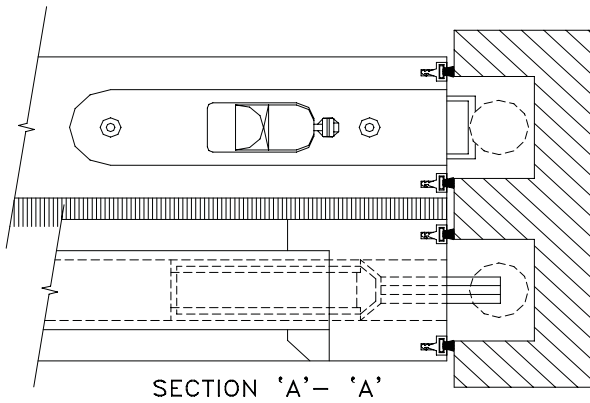
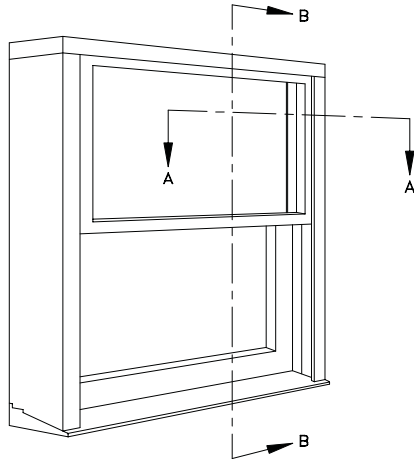
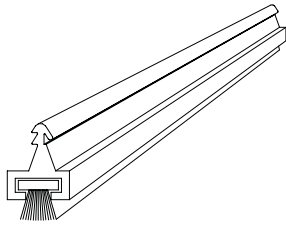
Technical



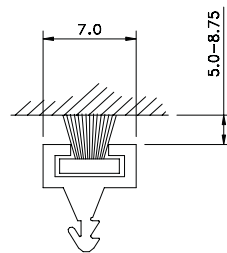
Smoke seal Sash position



Smoke seal & Plant on a QuickFit - router details



SECTION 'B' - 'B'



60352-0A

