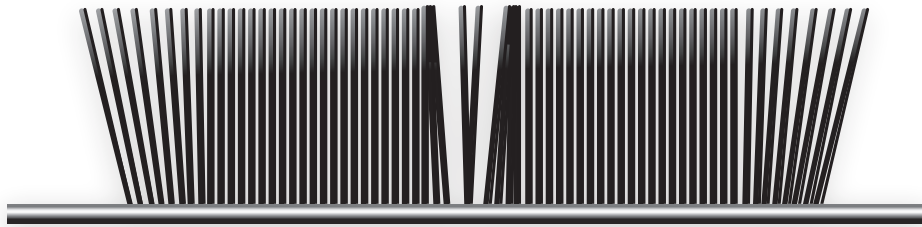




grouphomesafe▲

Pile Seals

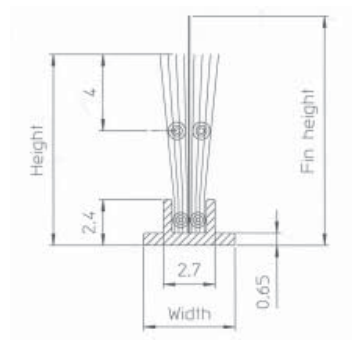
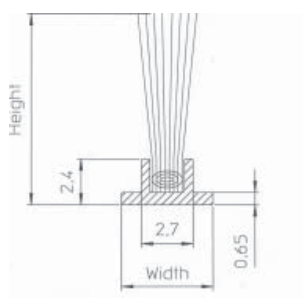
[UPVc SLIDING & PATIO DOORS]



Pile Seal, Power Pile

Product Name	Power Pile
Product Description	Extrude semi-rigid profile with pile fibers firmly attached inside the profile.
Application	Pile Seal for easy installation into aluminium or pvc windows, doors.
Materials	Profile: Semi-rigid 100% polpropylene. Pile: Siliconised multifilament polypropylene.
Variations	Width 4.8mm, 5.1mm, 5.8mm, 6.9mm Total height: minimum 7mm, maximum 35mm
Options	<ul style="list-style-type: none">• Central fin for additional sealing, flush with pile or up to 3mm higher ->Hmax=20mm• Inkjet printed traceability info onto backside.• Pressure sensitive adhesive on backside for selfstick purposes i/o sliding installation.• Black or grey sturdy monofilament yarns interweaved with the pile for extra support.• Removeable warp yarn in the middle of the pile for better visual appearance & support.• Fixed (glued) warp yarn in the middle of the pile for better visual appearance & support.
Colours	Pile is available in black, grey or white as standard. Flexible backing has a natural milky white colour. Other colours on request.
Packaging	<ul style="list-style-type: none">• Coiled & boxed: From 300 to 500m/coil depending on seal dimensions.• Cut to required length & boxed. Ex: Length=2150mm, 300pcs/box.
Ordering	Power pile + width + height + pile colour + options. Example: Power pile FLEXBACK, width 4.8mm, height 9.00mm, black pile, with fin 10mm high, no additional warp yarns, coiled.

Technical

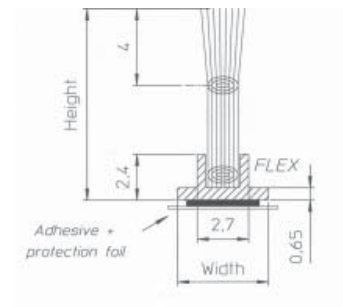
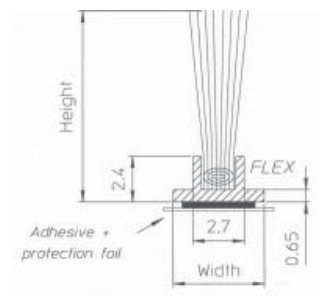


Schlegel®

Pile Seal, Power Pile Flexback

Product Name	Power Pile FLEXBACK
Product Description	Extrude FLEXIBLE profile with pile fibers firmly attached inside the profile.
Application Materials	Pile Seal for easy installation into aluminium or pvc windows, doors & furniture. Profile: Flexible 100% polypropylene blend. Pile: Siliconised multifilament polypropylene.
Variations	Width 4.8mm, 5.1mm, 5.8mm, 6.9mm Total height: minimum 7mm, maximum 35mm
Options	<ul style="list-style-type: none">• Central fin for additional sealing, flush with pile or up to 3mm higher ->Hmax=20mm• Pressure sensitive adhesive on backside for selfstick purposes i/o sliding installation• Black or grey sturdy monofilament yarns interweaved with the pile for extra support• Removeable warp yarn in the middle of the pile for better visual appearance & support• Fixed (glued) warp yarn in the middle of the pile for better visual appearance & support
Colours	Pile is available in black, grey or white as standard. Flexible backing has a natural milky white colour. Other colours on request
Packaging	<ul style="list-style-type: none">• Coiled & boxed: From 300 to 500m/coil depending on seal dimensions.• Cut to required length & boxed. Ex: Length=2150mm, 300pcs/box.• Cut to required length & coiled in plastic bag (& boxed) for easy handling.
Ordering	Power pile + width + height + pile colour + options. Example: Power pile FLEXBACK, width 4.8mm, height 9.00mm, black pile, no fin, no additional warp yarns, with adhesive, length 5 meters coiled in plastic bag.

Technical

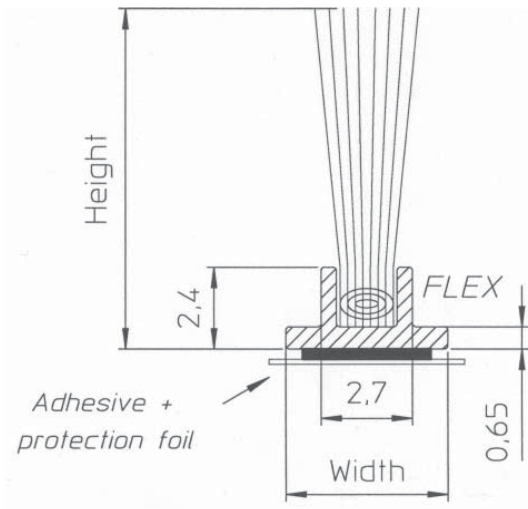


Schlegel®

Pile Seal, Power Pile FLEXBACK Product Range

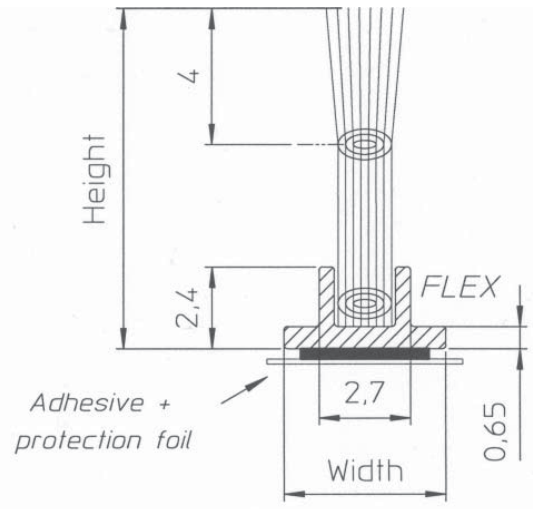
Full range with or without high strength adhesive & easy removeable protection foil.

Power Pile Flexback Standard



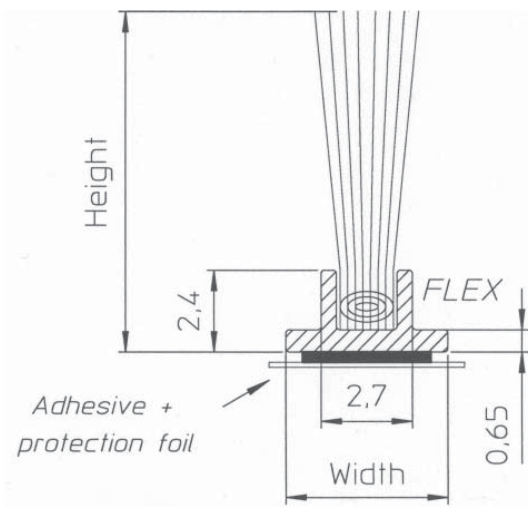
Power Pile Flexback Standard + Warp yarn

Warp yarn removeable or fixed/glued.



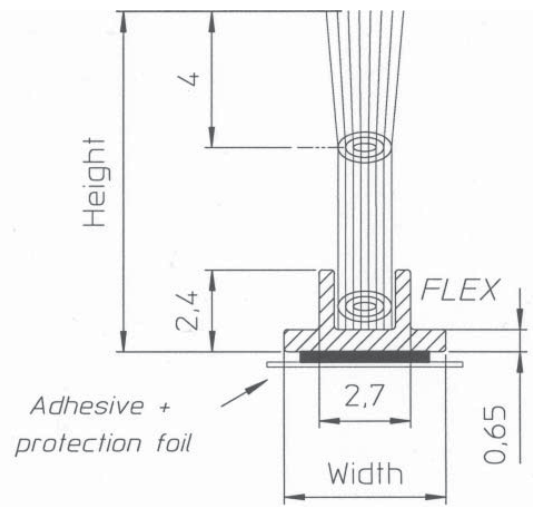
Power Pile Flexback Finseal

Finheight: flush with pile or up to 3mm higher.



Power Pile Flexback Finseal+ Warp yarn

Finheight: flush with pile or up to 3mm higher
Warp yarn removeable or fixed/glued.



Schlegel®