

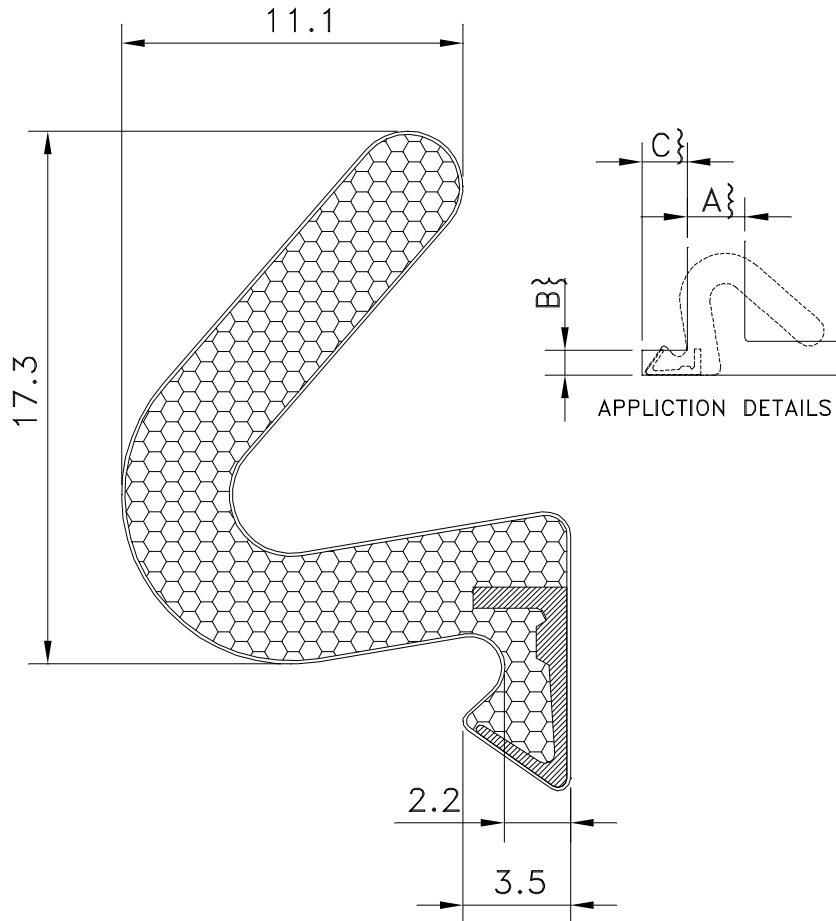


SCHLEGEL UK

Henlow Industrial Estate,
 Henlow Camp,
 Bedfordshire,
 SG16 6DS
 Tel: +44 (0) 1462 815500
 Fax: +44 (0) 1462 638800
 E-mail: schlegeluk@schlegel.eu.com

* Registered trademark of Schlegel Systems Inc.

AQUAMAC* 89



TECHNICAL SPECIFICATION

- A, SEAL GAP. 5.0mm MIN TO 13.0mm MAX
- B, KERF SLOT WIDTH. 2.7mm NOMINAL
- C, MINIMUM KERF SLOT DEPTH 5.5mm

PART NUMBER	COLOUR	LENGTH (M)	COIL DIRECTION	APPLICATION
02300090	BRONZE	2.1	A	WEATHERSEAL
02300093	WHITE	2.1	A	WEATHERSEAL
02300094	BEIGE	2.1	A	WEATHERSEAL

60271-0B



BS7386 : 1990
 Licence NO. KM
 30928

Schlegel UK is a division of Schlegel Limited, Registratio n No. 3471668 Reg.
 Office : Hilldown House, 32 Hampstead High St, London, NW3 1QD



Certification No.
 FM 15052