

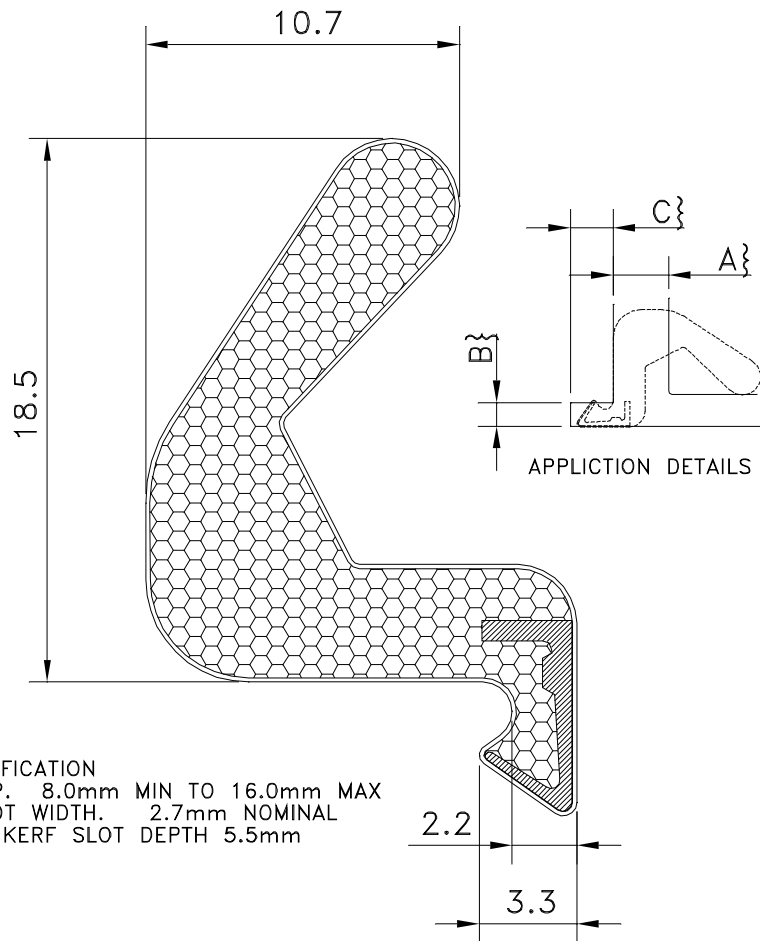


**SCHLEGEL UK**

Henlow Industrial Estate,  
 Henlow Camp,  
 Bedfordshire,  
 SG16 6DS  
 Tel: +44 (0) 1462 815500  
 Fax: +44 (0) 1462 638800  
 E-mail: schlegeluk@schlegel.eu.com

\* Registered trademark of Schlegel Systems Inc.

**AQUAMAC\* 9105**



TECHNICAL SPECIFICATION  
 A, SEAL GAP. 8.0mm MIN TO 16.0mm MAX  
 B, KERF SLOT WIDTH. 2.7mm NOMINAL  
 C, MINIMUM KERF SLOT DEPTH 5.5mm

PART NUMBER	COLOUR	LENGTH (M)	APPLICATION
02091050	WHITE	2.10	WEATHERSEAL
02091051	BRONZE	2.10	WEATHERSEAL
02091052	BLACK	2.10	WEATHERSEAL
02091055	WHITE	0.95	WEATHERSEAL
02091056	BRONZE	0.95	WEATHERSEAL
02091057	BLACK	0.95	WEATHERSEAL

60287-08



BS7386 : 1990  
 Licence NO. KM  
 30928

Schlegel UK is a division of Schlegel Limited, Registratio n No. 3471668 Reg.  
 Office : Hillsgdown House, 32 Hampstead High St, London, NW3 1QD



Certification No.  
 FM 15052