

# Schlegel Weather Seal Range



## Technical Data Sheet

Product = Smoke Seal Quickfit

Quickfit 20/25/35

Plant – on 20/25/35

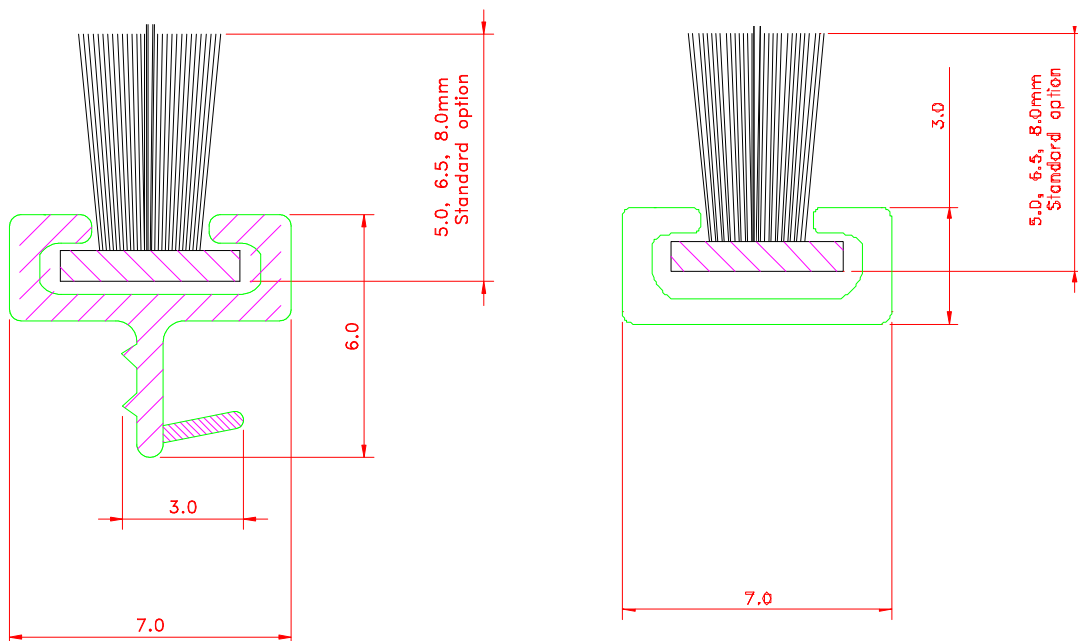
Testing undertaken to ISO 9001/2000; BSI Registration FM15052 (since 29/07/1992)

For PB 4.8\*5.0/6.5/8.0 FP 3P/4P Colour - TBA

Backing width Specification	= 4.8mm $\pm$ 0.1
Thickness	= 0.8 $\pm$ 0.3/-0.1
Pile Height	= 5.0/6.5/8.0 $\pm$ 0.25
Fin Height	= 0.25 above pile nom ( $\pm$ 0.25)

## Drawing Detail:-

### General Dims



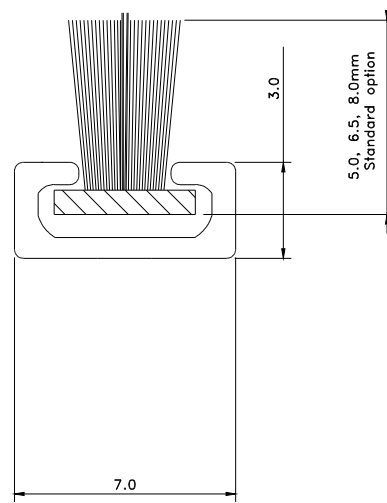
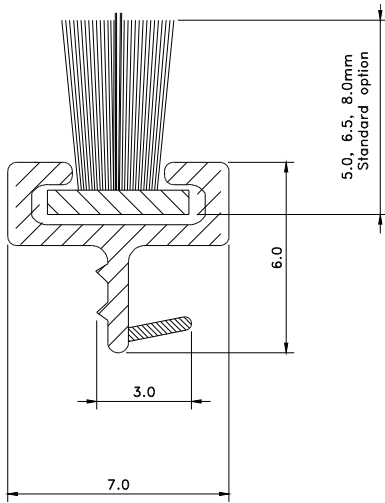
## UK

Schlegel UK, Henlow Industrial Estate, Henlow Camp, Bedfordshire, SG16 6DS

Phone: +44 1462 815500 Fax: +44 1462 811963

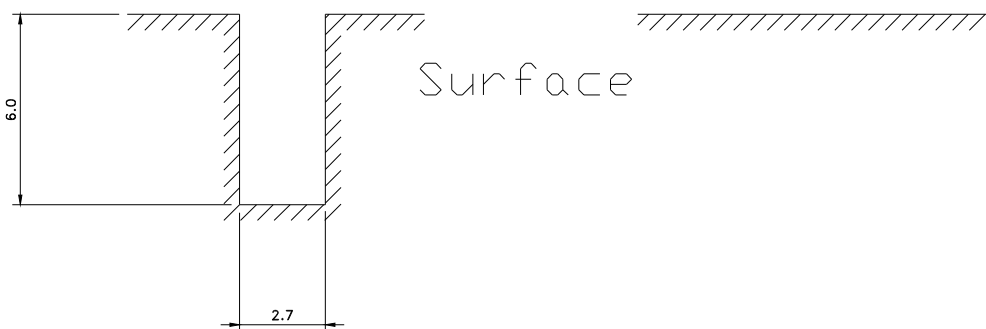
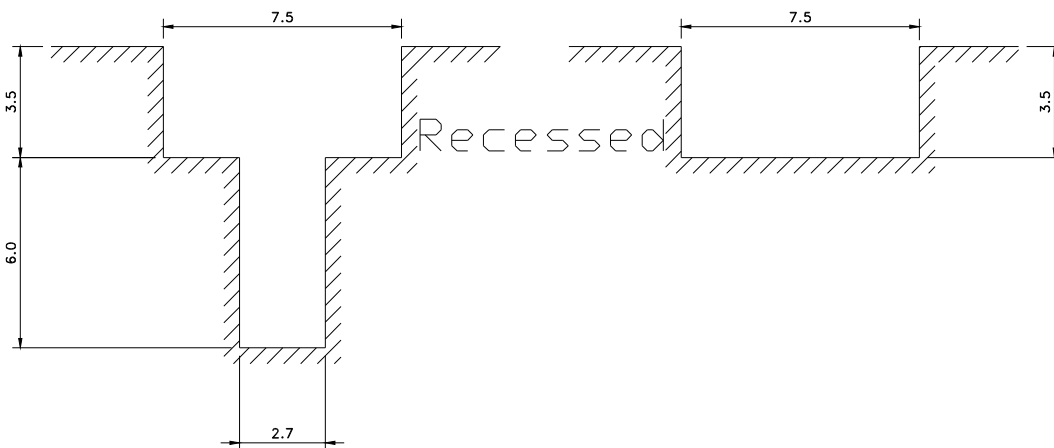
e:Mail: [schlegeluk@schlegel.eu.com](mailto:schlegeluk@schlegel.eu.com)

# Slot detail



quickfit

plant-on



UK

Schlegel UK, Henlow Industrial Estate, Henlow Camp, Bedfordshire, SG16 6DS

Phone: +44 1462 815500 Fax: +44 1462 811963

e-Mail: [schlegeluk@schlegel.eu.com](mailto:schlegeluk@schlegel.eu.com)

## Material / Components

1) CP50.06870 , CP50.06871 & CP50.6872

Backing mat'l : 100% polypropylene natural  
Pile mat'l : texturized polypropylene multifilament yarn  
                  siliconized and UV-stabilized  
                  Trilobal cross section  
                  Colour : grey  
Coating: polypropylene resin  
Film: 100% polypropylene 70 micron , UV-stabilised

2) HS11.06774

Backing, pile material and coating: item as above  
Adhesive: pressure sensitive hot melt

3) Carrier – Extruded PVC

4) Retaining foot (quickfit only) = TPE

## Relative Documentation

prEN12365-1 requirements definitions & classification  
prEN12365-2 closing force test method  
prEN12365-3 deflection recovery  
prEN12365-4 long term recovery  
And of course the "Greenbook" (H\_DI\_02B 05april2000) spec's

## Packaging Specification

Cut-to-length 2.1mtrs  
(Plant-on = 50/Box and Quick-fit =100/Box)

## Thermal Values of Pile Weather-strip

Pile weather-strip manufactured by Schlegel Limited is 100% homopolymer polypropylene. We can only advise a general estimate of the value of the raw material, which is:-

**0.95 Btu-in/ft<sup>2</sup> Hr°F**                    **or**                    **0.12W/mKelvin .**

## UK

Schlegel UK, Henlow Industrial Estate, Henlow Camp, Bedfordshire, SG16 6DS  
Phone: +44 1462 815500      Fax: +44 1462 811963  
e:Mail: [schlegeluk@schlegel.eu.com](mailto:schlegeluk@schlegel.eu.com)