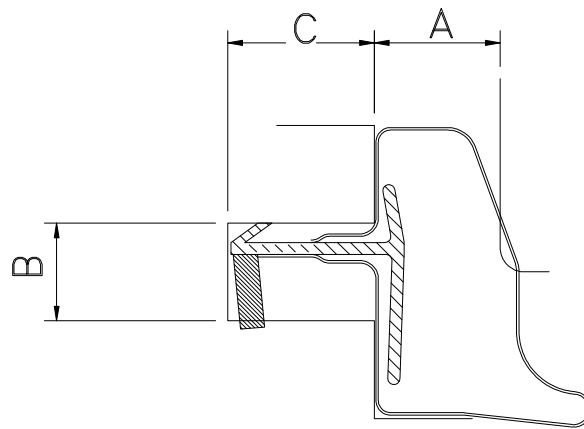
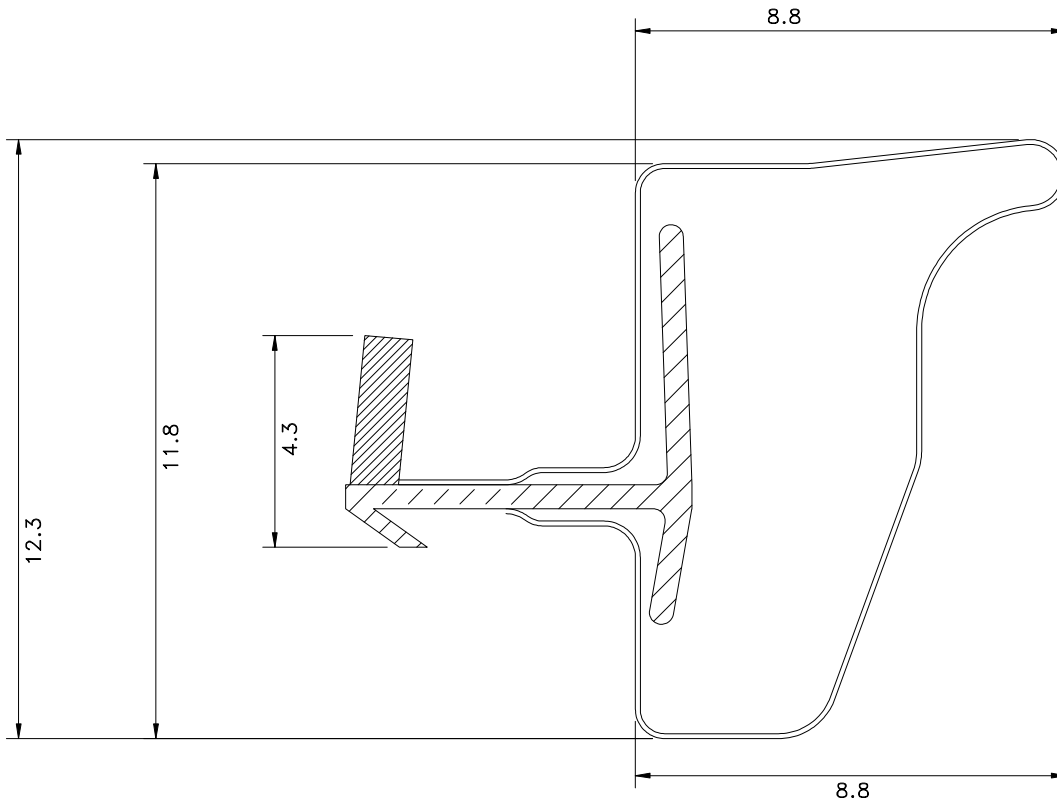


Q-LON* 3110



APPLICATION DETAILS

TECHNICAL SPECIFICATION

- A, SEAL GAP. 3.0mm MIN TO 5.0mm MAX
- B, RETENTION SLOT THROAT. 3.8mm NOMINAL
- C, MINIMUM POCKET DEPTH 6.5mm

PART NUMBER	COLOUR	METRES/COIL	COIL DIRECTION	APPLICATION
02331100	WHITE	250	STANDARD	WEATHERSEAL
02331101	BRONZE	250	STANDARD	WEATHERSEAL
02331102	BLACK	250	STANDARD	WEATHERSEAL
*	BEIGE	*	STANDARD	WEATHERSEAL
*	GREY	*	STANDARD	WEATHERSEAL