

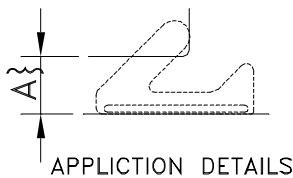
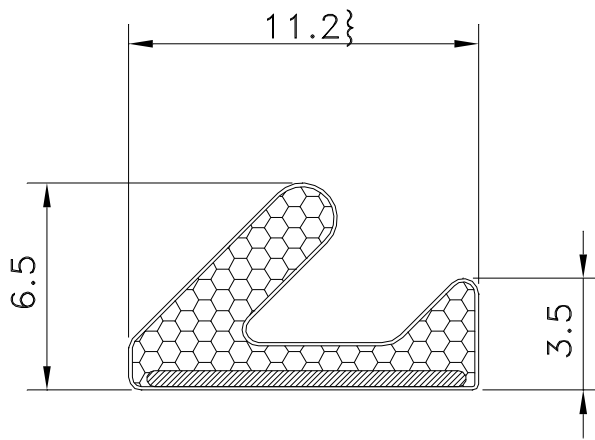


SCHLEGEL UK

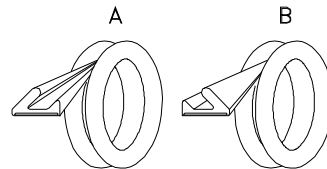
Henlow Industrial Estate,
Henlow Camp,
Bedfordshire,
SG16 6DS
Tel: +44 (0) 1462 815500
Fax: +44 (0) 1462 638800
E-mail: schlegeluk@schlegel.eu.com

* Registered trademark of Schlegel Systems Inc.

QL 3042
QL 3057



APPLICATION DETAILS



COIL DIRECTION

TECHNICAL SPECIFICATION

A, SEAL GAP. 3.0mm MIN TO 5.5mm MAX

B, COLOURS AVAILABLE: BRONZE
WHITE
BLACK
GREY
BEIGE
LIGHTOAK

60306-08



BS7386 : 1990
Licence NO. KM
30928

Schlegel UK is a division of Schlegel Limited, Registratio n No. 3471668 Reg.
Office : Hillsgdown House, 32 Hampstead High St, London, NW3 1QD



Certification No.
FM 15052