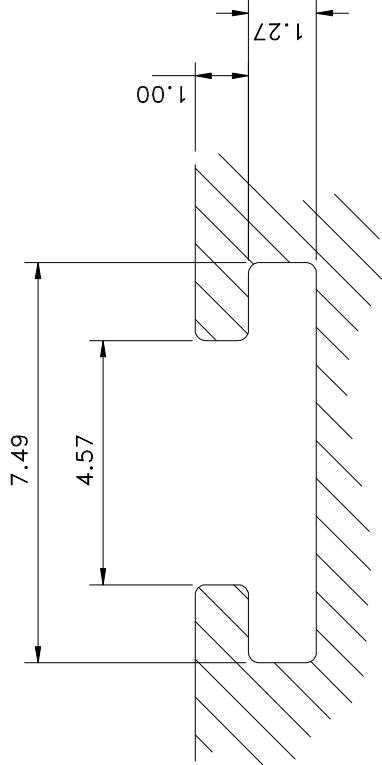
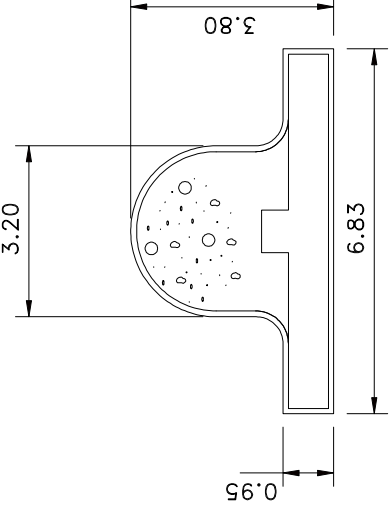
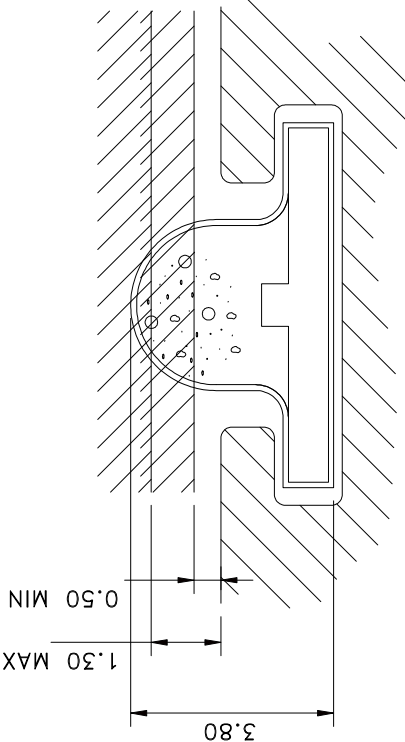


DO NOT SCALE OR GUESS-IF IN DOUBT, ASK!



NOMINAL SLOT DETAILS

NOTES:-
 1, DIMENSIONS ARE NOMINAL UNLESS OTHERWISE STATED
 2, INFORMATION ON DRAWING MAY CHANGE WITHOUT NOTICE

PART NUMBER	COLOUR	QTY/COIL(M)
02669400	WHITE	900
02669401	BRONZE	900
02669402	BLACK	900
02669405	WHITE	200
02669406	BLACK	200
02669407	WHITE	700
02669408	BLACK	700

SCHLEGEL U.K.
 Henlow Industrial Estate, Henlow Camp
 Bedfordshire, U.K. SG16 6DS
 Tel: +44(0)1462 815500
 Fax: +44(0)1462 811963
 email: schlegel@schlegel.co.uk

This drawing is confidential and is the property of Schlegel U.K. and is neither to be reproduced, copied or otherwise used in any form whatsoever nor is the information hereon and associated know-how to be disclosed to third parties, without written permission of the Schlegel U.K. Group. This drawing will be construed as an agreement to the foregoing conditions.
 Copyright, Schlegel U.K., 1998

TOLERANCES
 OVERALL ± 0.2
 ANGULAR $\pm 1^\circ$
 DIMENSIONS IN MILLIMETRES UNLESS OTHERWISE STATED

QL 6.9 * 4.0 TSLOT
 CUSTOMER DRAWING

Drawn: SAM SPEIRS Date: 05/10/2010 Scale: 10:1 Sheet: 1 of 1 Drawing No: U90101

Issue No. A INITIAL ISSUE Issue Date 5/10/10
 Issue No. C.N. Modification