

Schlegel Weather Seal Range

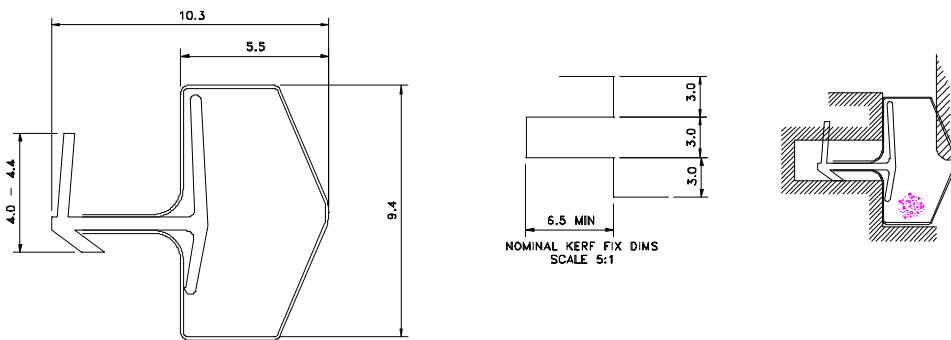


Technical Data Sheet
Product = QLON 9915 (QL 51)

Testing undertaken to ISO 9001/2000; BSI Registration FM15052 (since 29/07/1992)

Specification			
Characteristic	Value	Units	Test Method
ACLD (Aged Compression Load Deflection)	4.0 – 12 N/100mm	Newtons	In House
Compression Set	>20% set after 24hours (50% compression) @ 70°C	% Recovery mm	In House
Dimensions	See Detail below	mm	In House

Drawing Detail



APPLICATION DETAILS

TECHNICAL SPECIFICATION

- A, SEAL GAP. TBA
- B, RETENTION SLOT THROAT. 3.0mm NOMINAL
- C, MINIMUM POCKET DEPTH 6.5mm

Material / Components

- Exterior Liner = Poly-ethylene, low friction UV stable
- Exterior Liner Melt Index = approx. 0,85 g/10 min at 190 °C., 2,16 kg mass – 2.0MI
- Hard Foot / insert = Poly-propylene
- Foam Core = H/R Poly-Urethane, exhibiting excellent memory performance over wide temp range

Nominal Value of Thermal Conductivity

Low density P.E (used for the outer skin) is advised at 0.33 W/mKelvin
P.U.foam at a density of 70Kg / cubic mtr having a conductivity of 0.05 W/mKelvin

A proposed nominal value for all our seals = 0.06W/mKelvin.

All information is nominal and may change without notice

Schlegel UK, Henlow Industrial Estate, Henlow Camp, Bedfordshire, SG16 6DS

Phone: +44 1462 815500 Fax: +44 1462 811963

e:Mail: schlegeluk@schlegel.eu.com

Nominal Values for Sound Reduction Weighting

$R_w(C, C_{tr}) = 32 (-1; -3)$ dB

$R_w(C, C_{tr}) = 22 (-1; -1)$ dB

$R_w(C, C_{tr}) = 16 (-1; 0)$ dB

$R_w(C, C_{tr}) = 29 (0; -2)$ dB

BBA Report

CRITERIA	B.B.A. 345/1 1993	B.B.A. Report 1990	Comments
TENSILE STRENGTH AFTER AGEING	< 25% REDUCTION AFTER 10 DAYS AT 70 ⁰ C	0% REDUCTION AFTER 28 DAYS	Q-Lon Exceeds the requirement
ELONGATION AT BREAK AFTER AGEING.	< 25% REDUCTION	> 5% REDUCTION AFTER 28 DAYS.	Q-Lon Exceeds the requirement
HARDNESS CHANGE AFTER AGEING	< 25% REDUCTION AFTER 10 DAYS AT 70 ⁰ C	COMPRESSION FORCE CHANGED BY 5% AFTER 28 DAYS	Q-Lon Exceeds the requirement
TEAR RESISTANCE	RAW MATERIAL TEST ONLY	NO ASSESSMENT	
DEFLECTION RECOVERY 24HRS @ 23 ⁰ C	> 75% RECOVERY	91.67% RECOVERY @ 70 ⁰ C	Q-Lon Exceeds the requirement
24hrs @ -15 ⁰ C	> 75% RECOVERY (LESS THAN 25% SET	100% RECOVERY	
14DAYS @ 55 ⁰ C	>25% RECOVERY	NOT ASSESSED	
OZONE RESISTANCE		NOT ASSESSED & NOT AFFECTED BY OZONE	This criteria is a limitation of Rubber / E.P.D.M.
DIMENSIONAL STABILITY	HEAT REVERSION < 2%	DIMENSIONAL STABILITY 0.01%	Q-Lon Exceeds the requirement

The B.P.F. have reviewed the 345/1 document and have published a revision. The revisions take account of current European draft standards for seals and will most likely include the following changes.

1. Test methods will not be limited to raw material assessment.
2. The test methods will allow the seal performance to be graded as opposed to minimum levels being specified. The system is intended to allow an appropriate seal to be specified for an application. Minimum performances are still assessed via the functionality tests of the complete window / door unit.

All information is nominal and may change without notice

Schlegel UK, Henlow Industrial Estate, Henlow Camp, Bedfordshire, SG16 6DS

Phone: +44 1462 815500 Fax: +44 1462 811963

e:Mail: schlegeluk@schlegel.eu.com

Packaging Specification

UK Card packing; 2 Coils per box; Nominal 300m / Coil

Coil = 825 OD – 425 ID; Box = 710*710*380mm

PART NUMBER	COLOUR	METRES/COIL	APPLICATION
02799150	WHITE	300	WEATHERSEAL
02799151	BRONZE	300	WEATHERSEAL
02799152	BLACK	300	WEATHERSEAL
02799153	BEIGE	300	WEATHERSEAL
02799155	L/OAK	300	WEATHERSEAL
02799156	RAL GREY	300	WEATHERSEAL

Performance Benefits Summary

Excellent memory – Returns to original shape after compression

Stability – Low/no stretch gained by GF internal cord or insert

Easily compressed – Low compression forces, Unaffected by temp variance (tested to -30oC to +70oC)

Acoustic performance – Independent testing and comparison data available

Paint and Stain Proof – Properties un-affected by standard paints and stains

Stabilised – Unaffected by rot, Fungi, UV light or Ozone.

Colour – Wide range of available options (bronze, white, black, greys, etc)

Jointing – Can be joined with silicone sealant or welded in situ'

Patented.

All information is nominal and may change without notice

Schlegel UK, Henlow Industrial Estate, Henlow Camp, Bedfordshire, SG16 6DS

Phone: +44 1462 815500 Fax: +44 1462 811963

e:Mail: schlegeluk@schlegel.eu.com